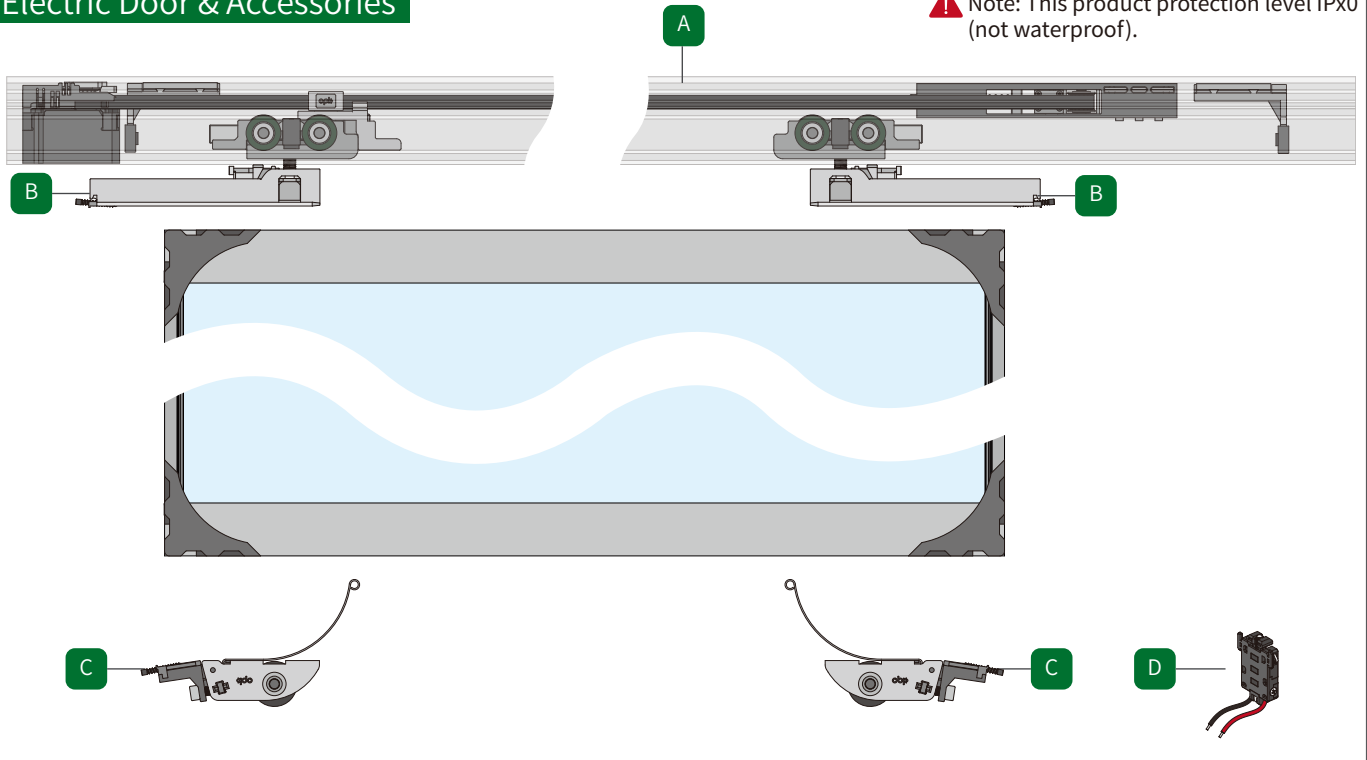


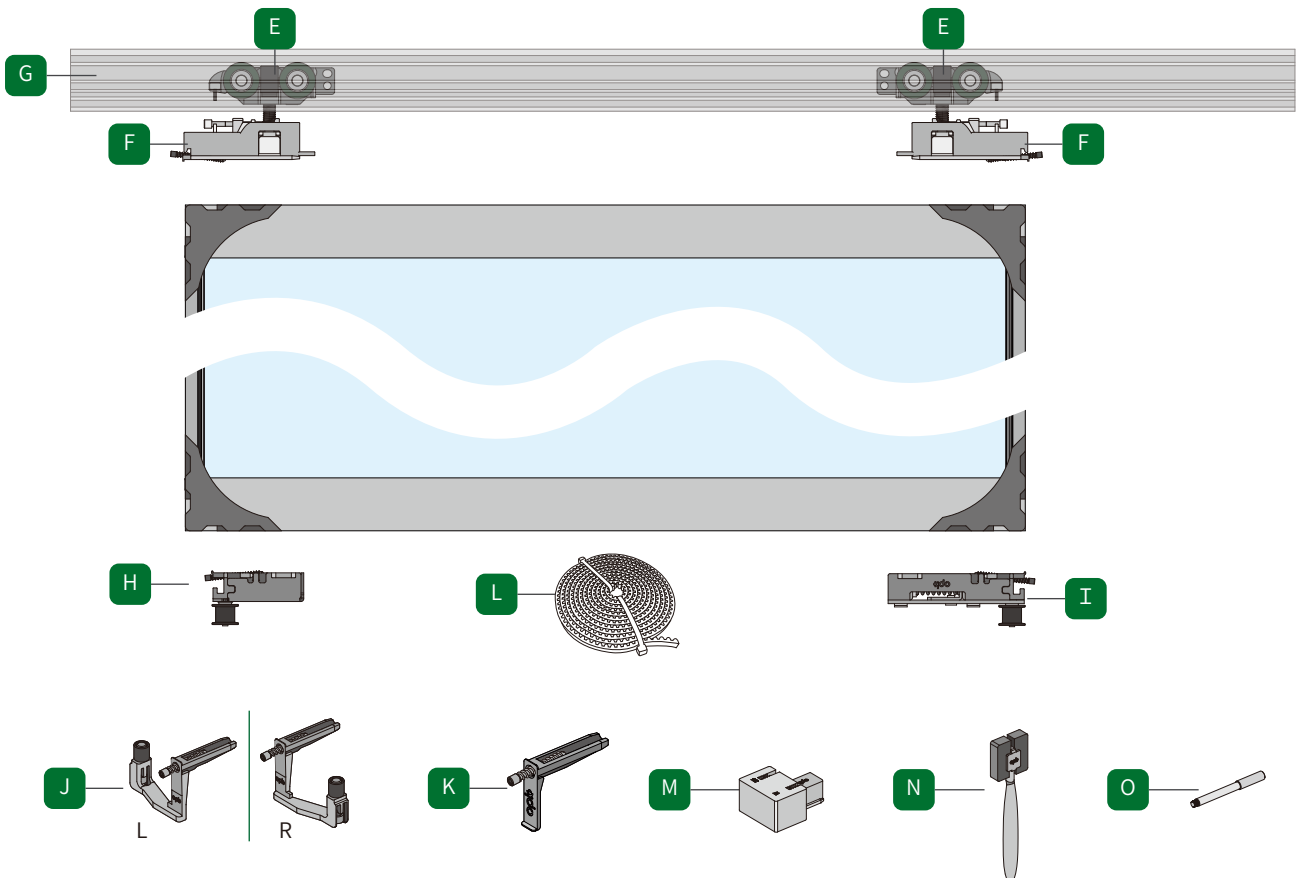
Perfect FG E-Motion Stacking Three Doors -Installation Instruction

Electric Door & Accessories

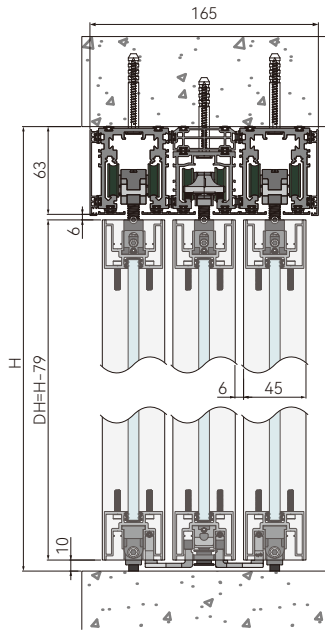
⚠ Note: This product protection level IPx0 (not waterproof).



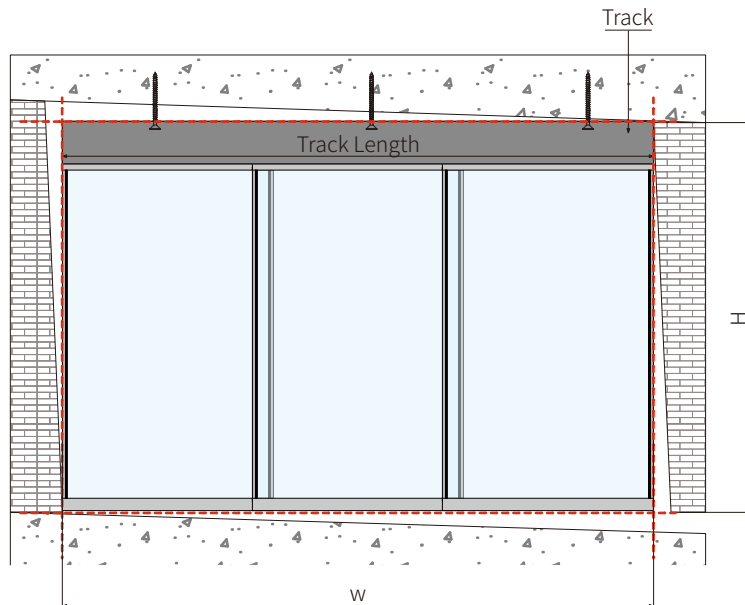
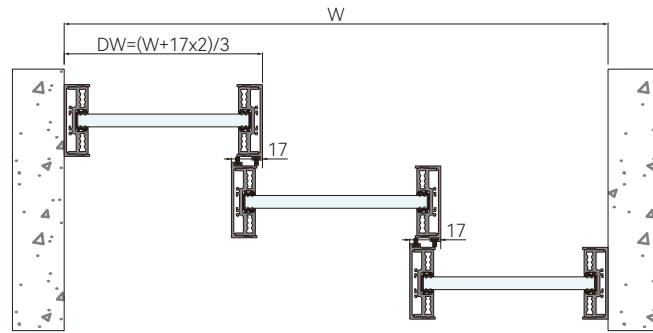
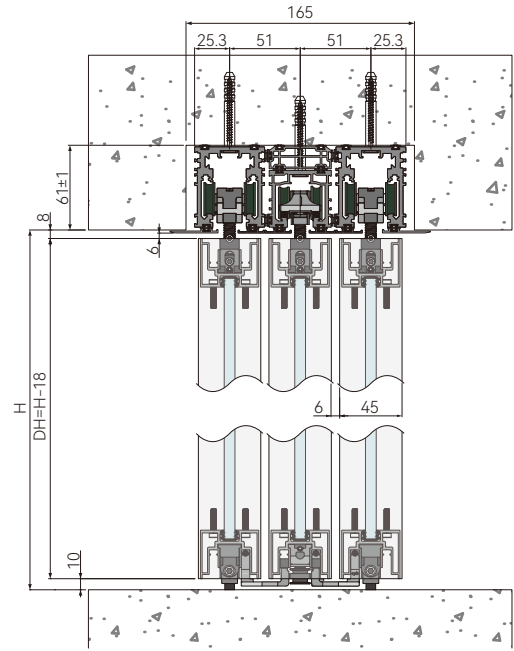
Middle Door & Accessories



Surface Mounting



Concealed Mounting



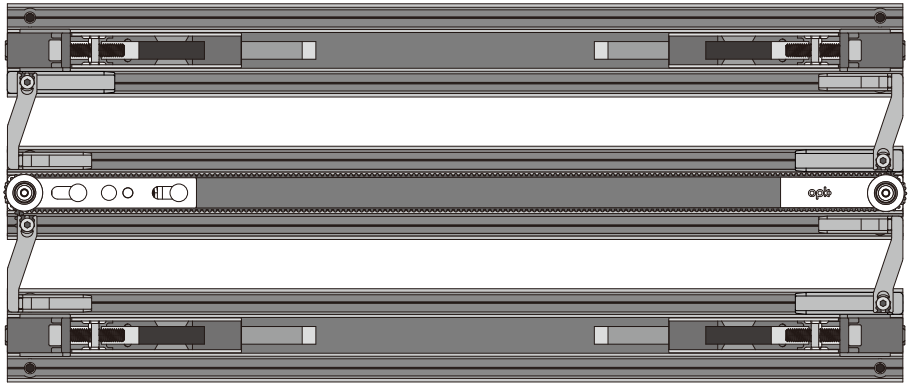
Synchro Three Doors (Right Opening) Accessories Picture



Electric Door2

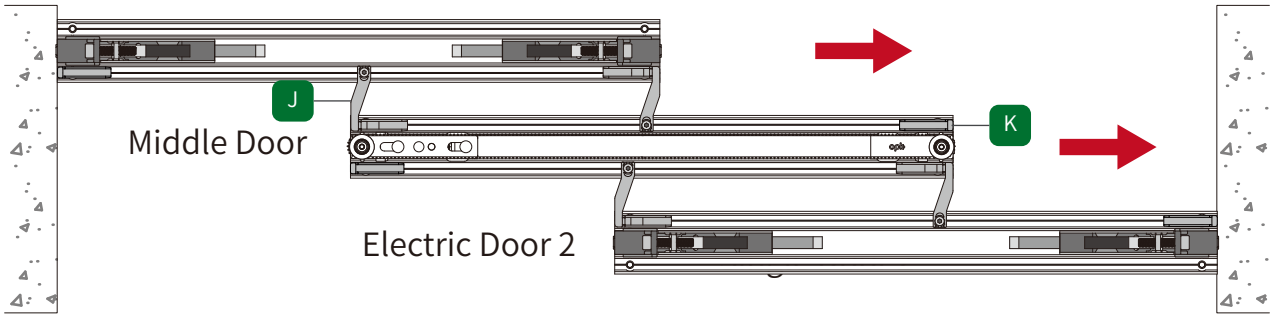
Middle Door

Electric Door1



Electric Door 1

View from bottom: Open the door to the right



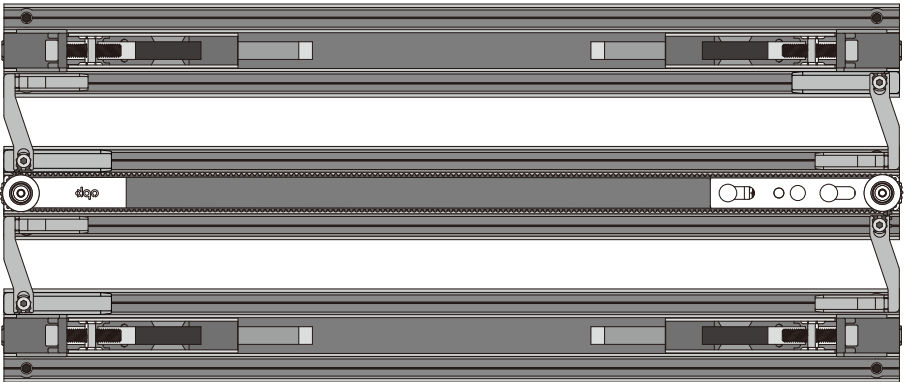
Synchro Three Doors (Left Opening) Accessories Picture



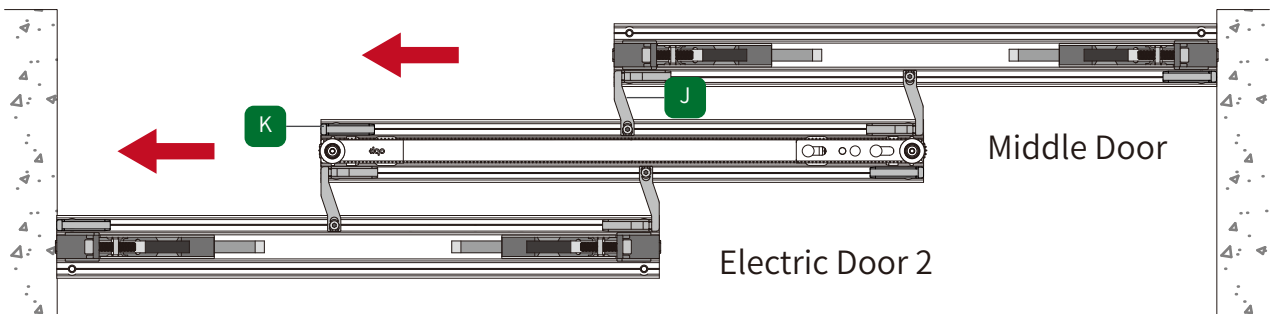
Electric Door2

Middle Door

Electric Door1

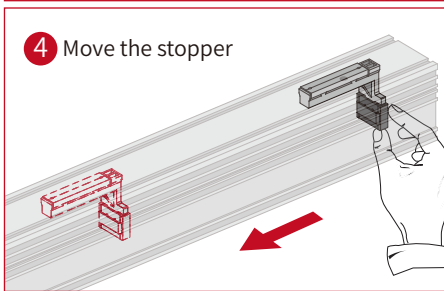
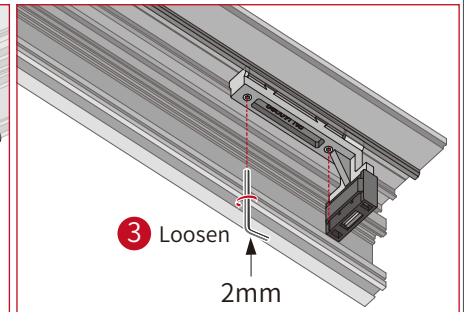
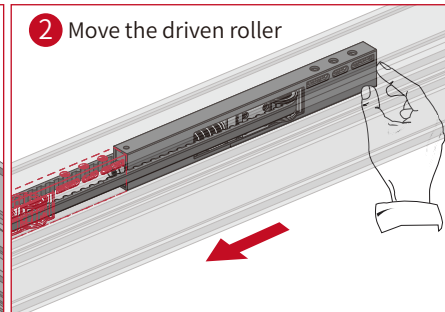
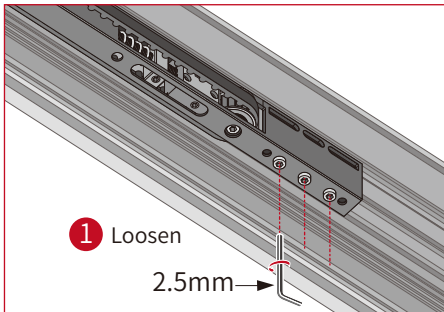
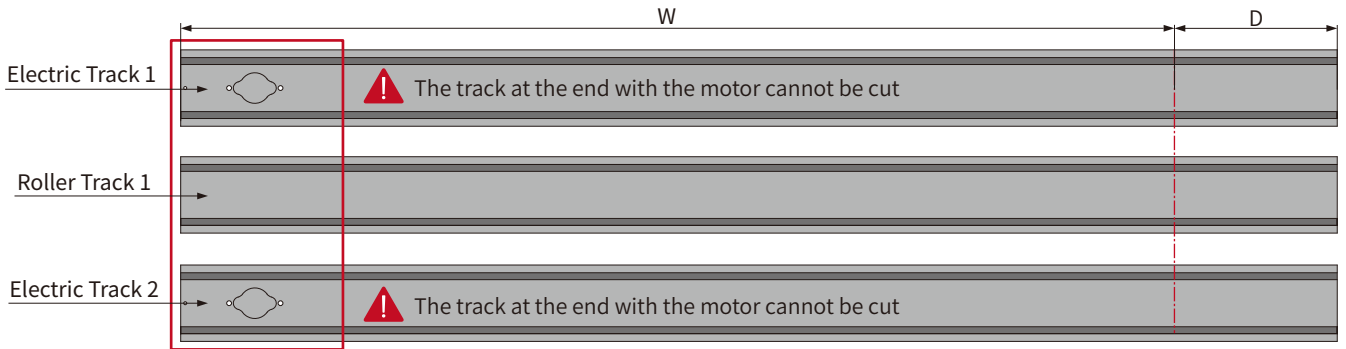


View from bottom: Open the door to the left



1-1 Cutting Track

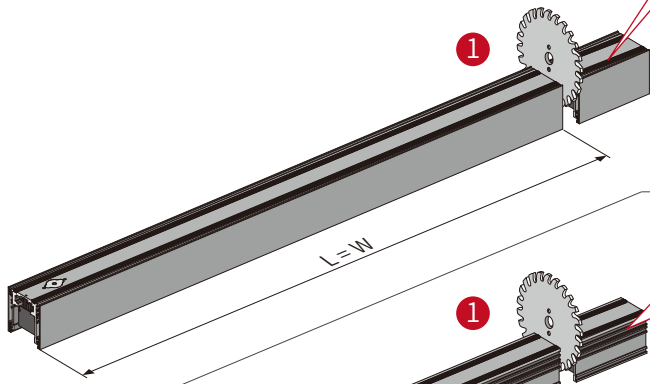
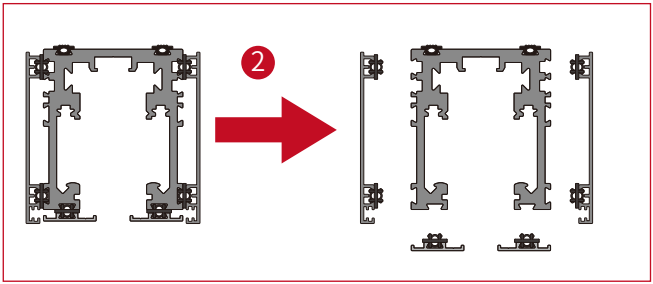
D=The Length of the Track Cutting



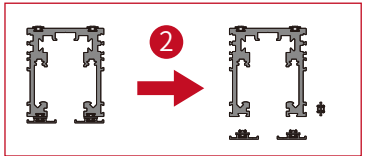
1-2 Cut the Profiles Disassemble the Profiles

Profile 1

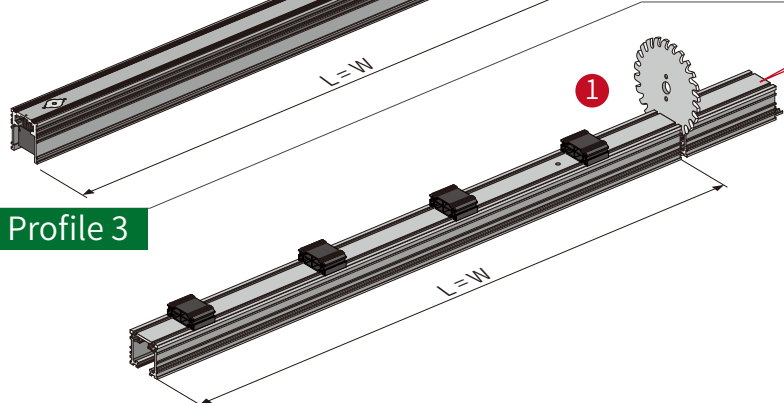
⚠ Cut from the uneven side of the profiles



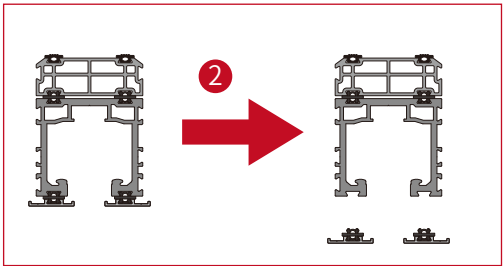
⚠ Cut from the uneven side of the profiles



Profile 2



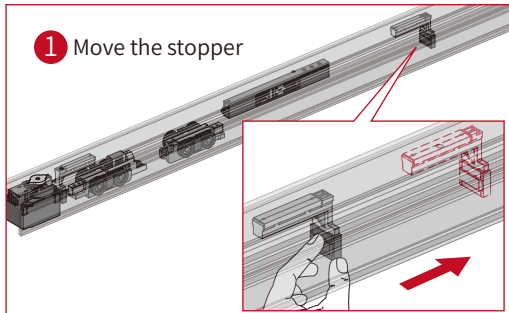
⚠ Cut from the uneven side of the profiles



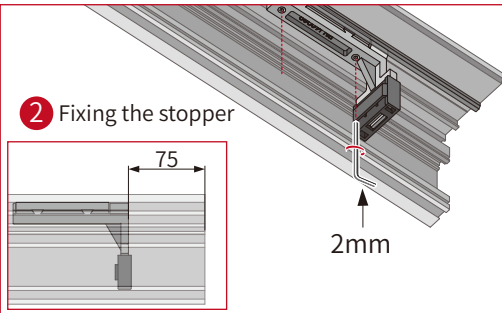
Profile 3

2 Adjust the Belt

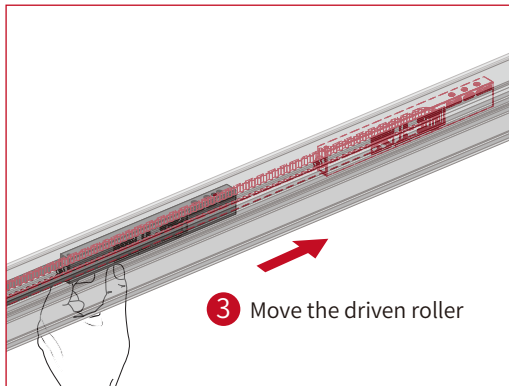
1 Move the stopper



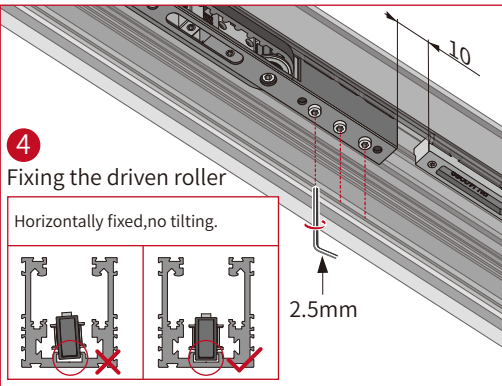
2 Fixing the stopper



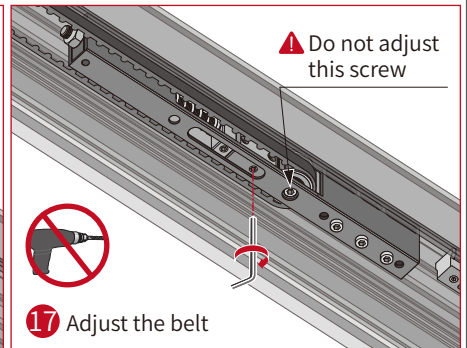
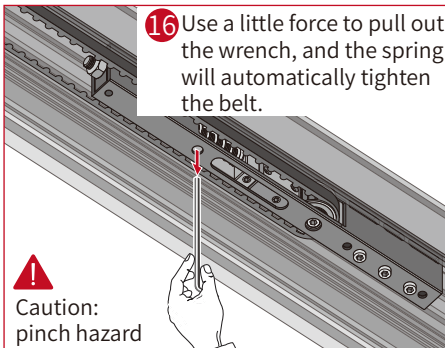
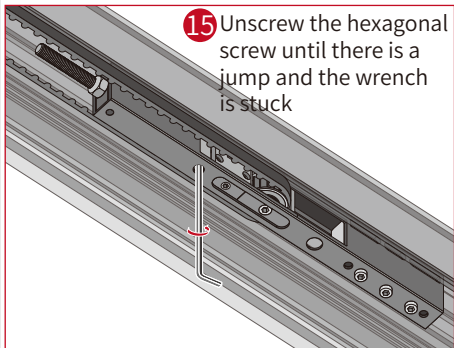
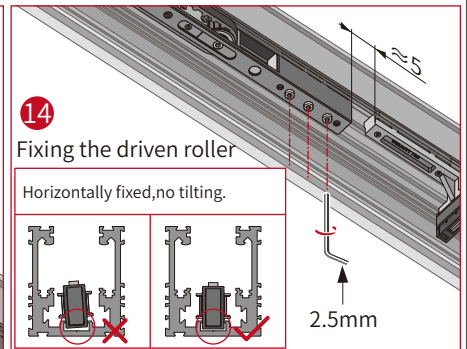
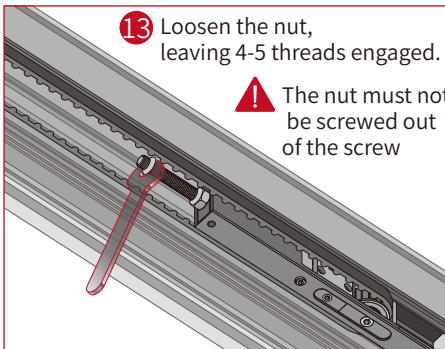
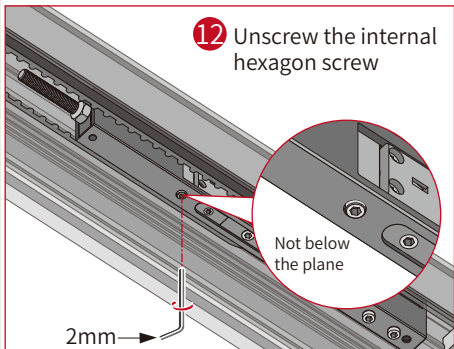
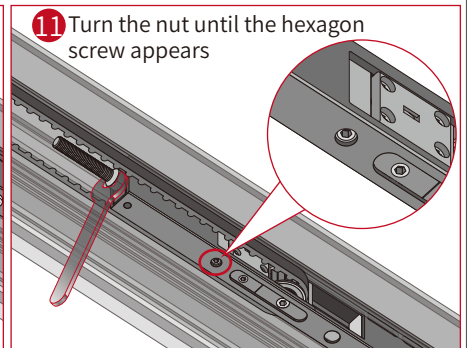
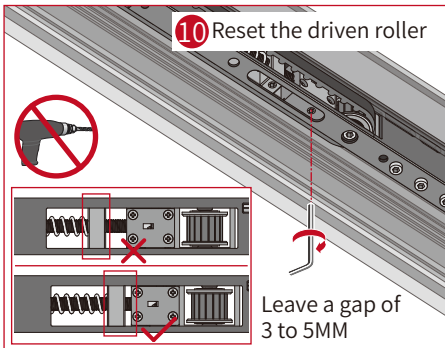
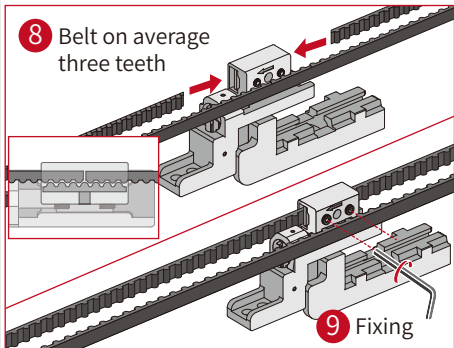
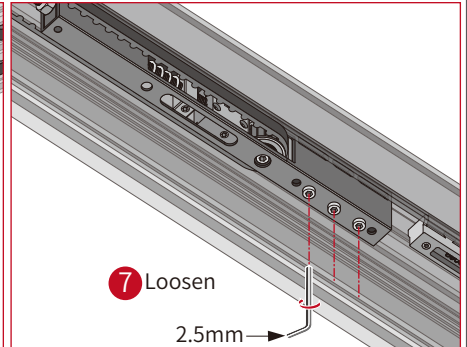
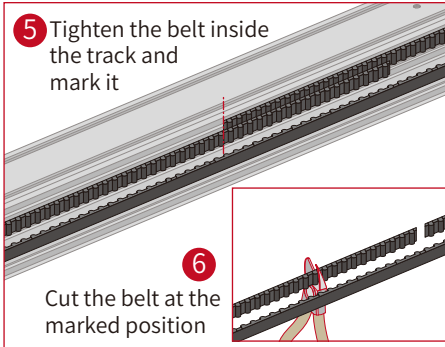
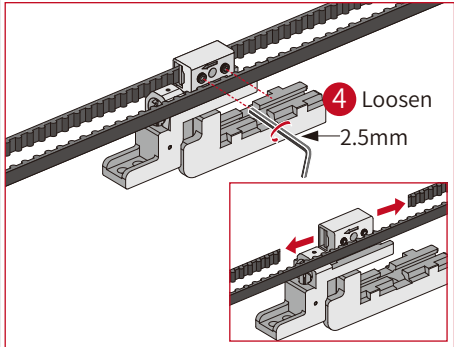
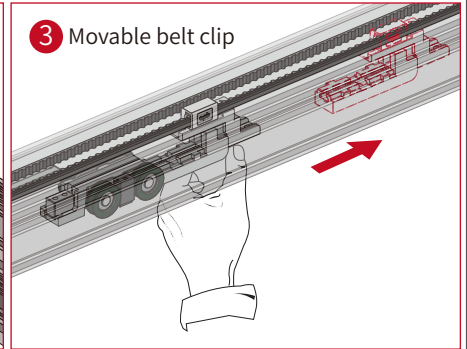
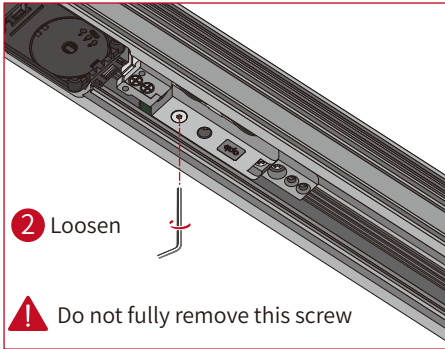
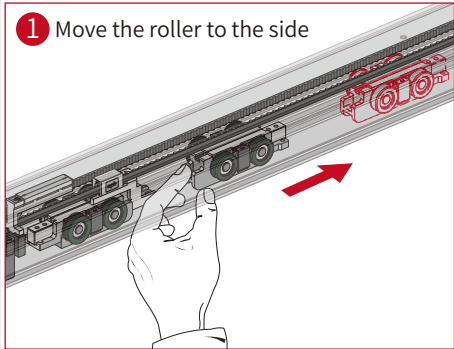
3 Move the driven roller



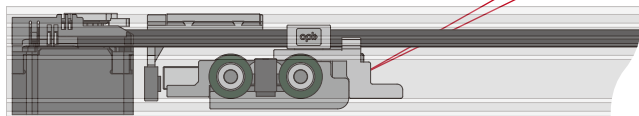
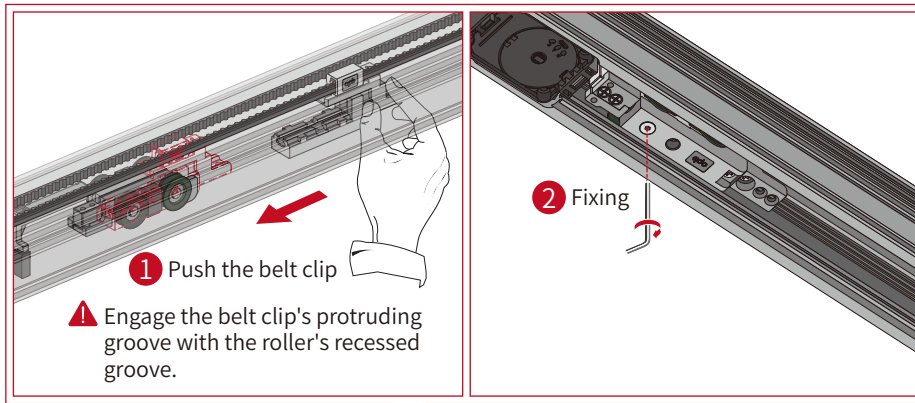
4 Fixing the driven roller



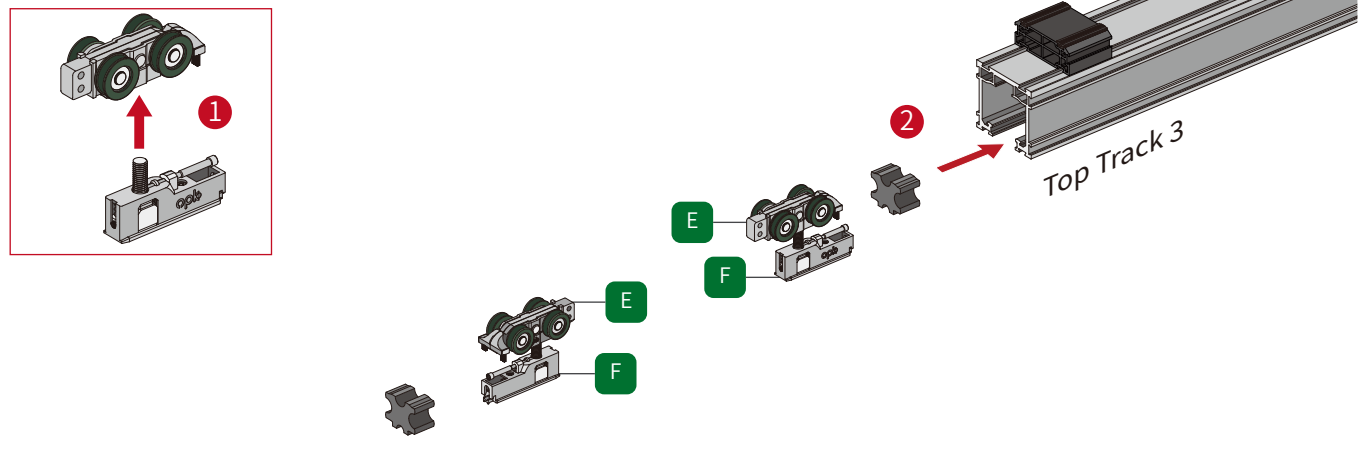
3 Adjust the Belt Connecting Track Profiles



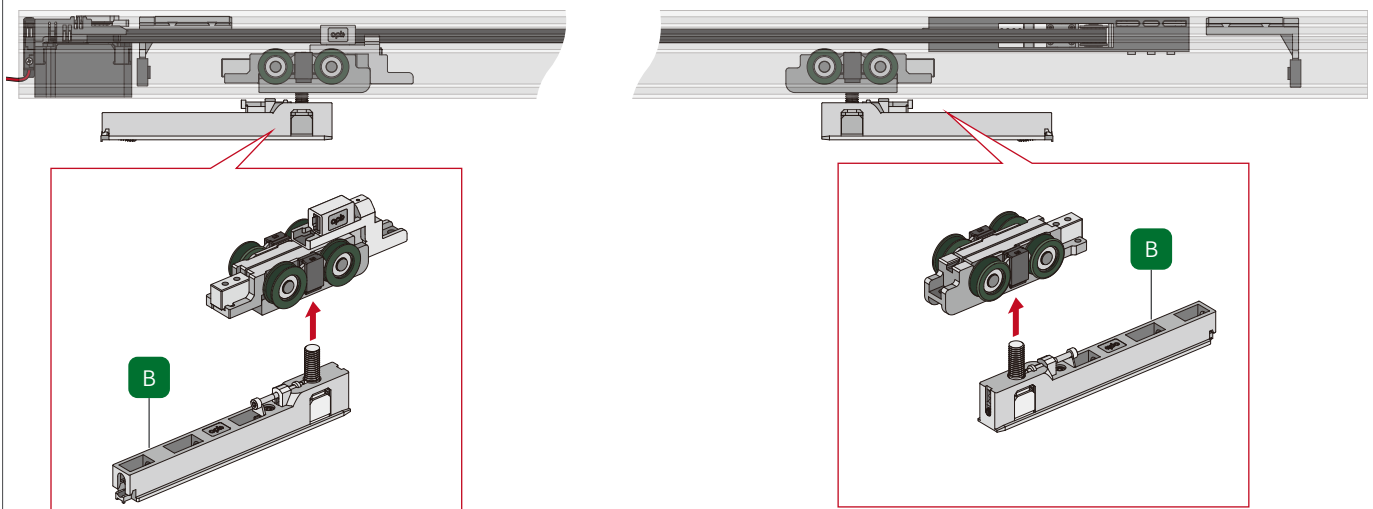
4 Install the Belt Clip for the Electric Door



5 Install the Roller and Hinge Box

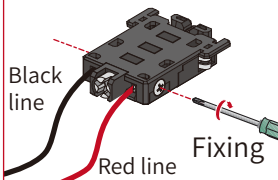


6 Install Hanging Box of the Electric Door

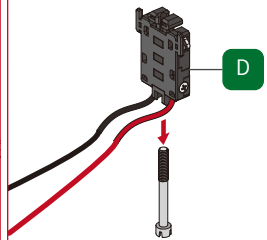


7 Install the Power Terminal and the Track

2 Power terminal wiring

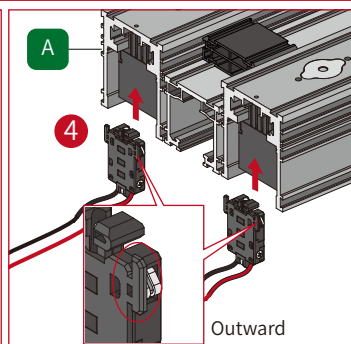


3 Pull out the long rod screw



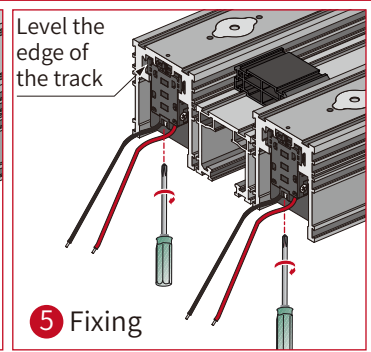
A

4

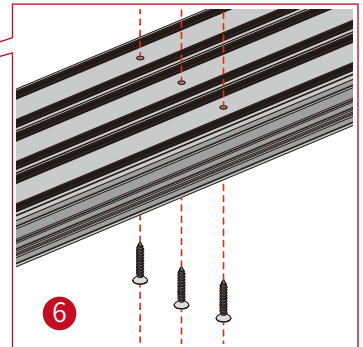


Level the edge of the track

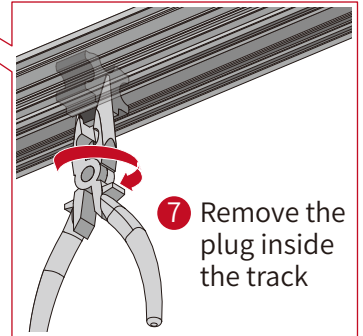
5 Fixing



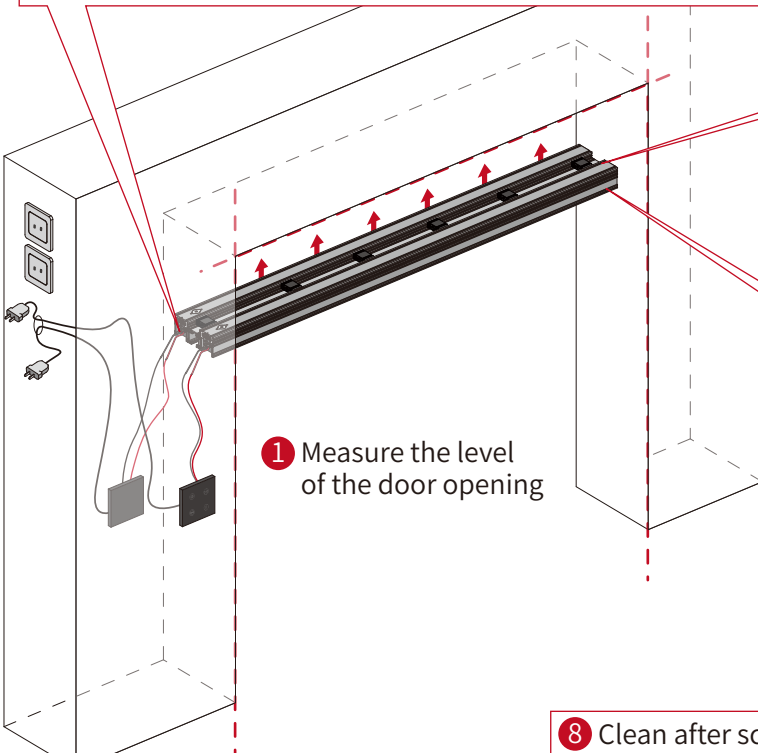
6



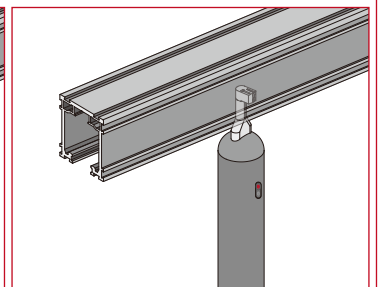
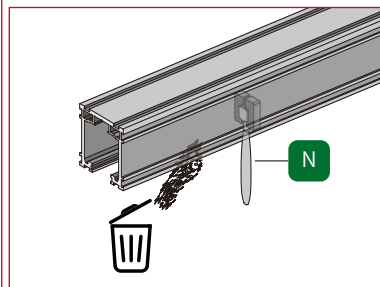
7 Remove the plug inside the track



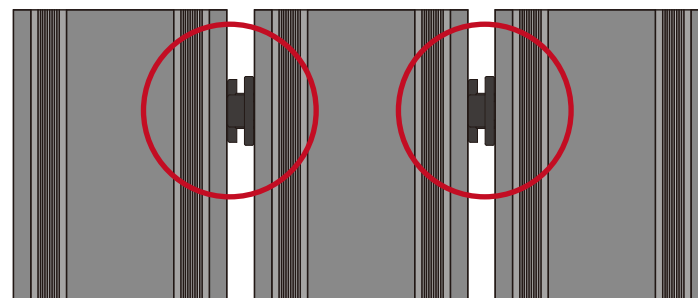
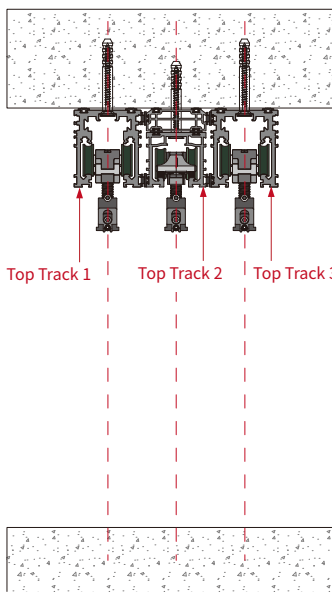
1 Measure the level of the door opening



8 Clean after screwing

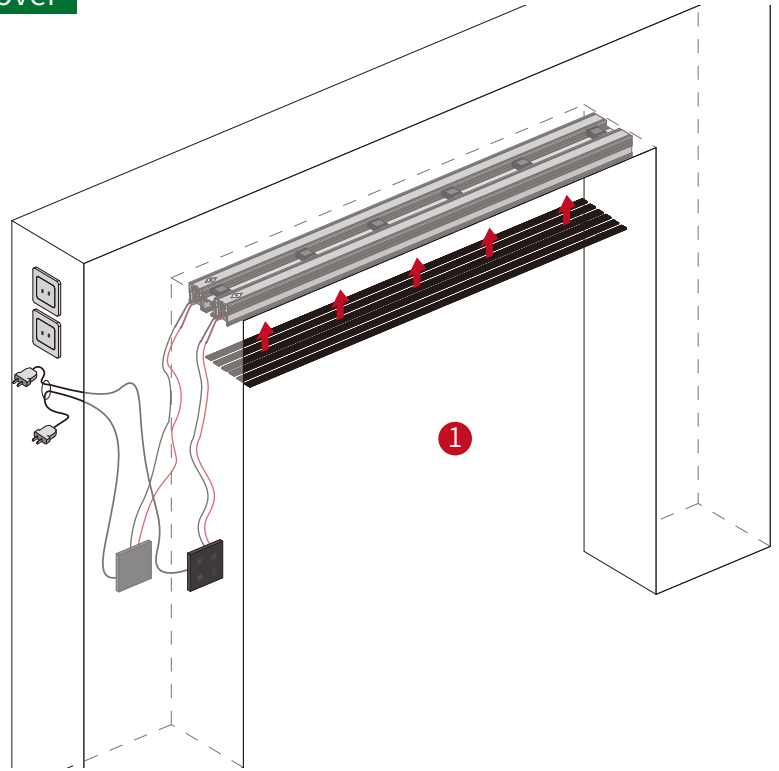
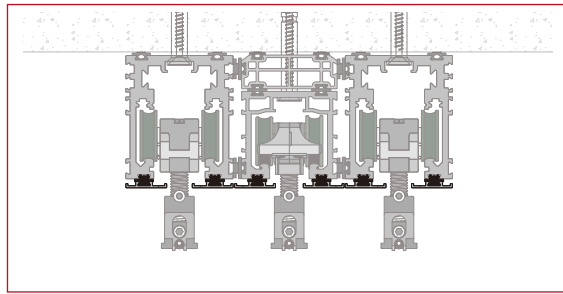


Top Track 1 Top Track 2 Top Track 3

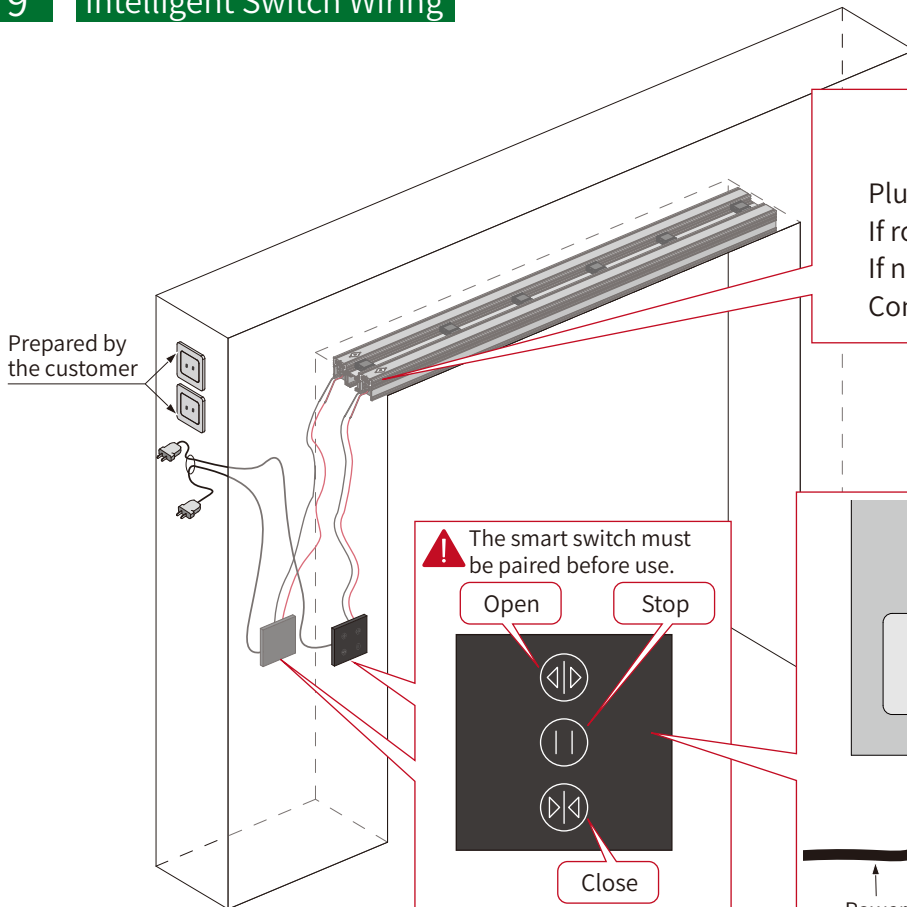


Must be tight!
No gap!

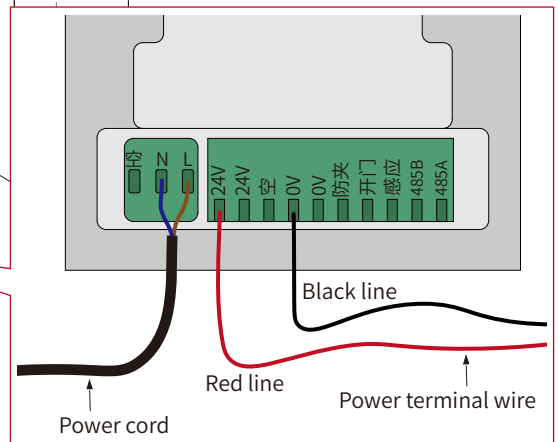
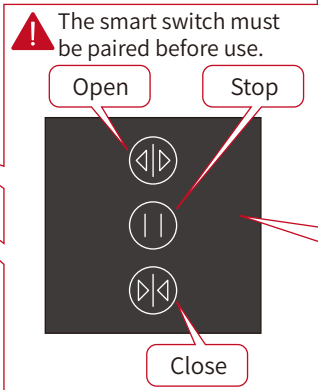
8 Install the Up Track Decorative Cover




9 Intelligent Switch Wiring

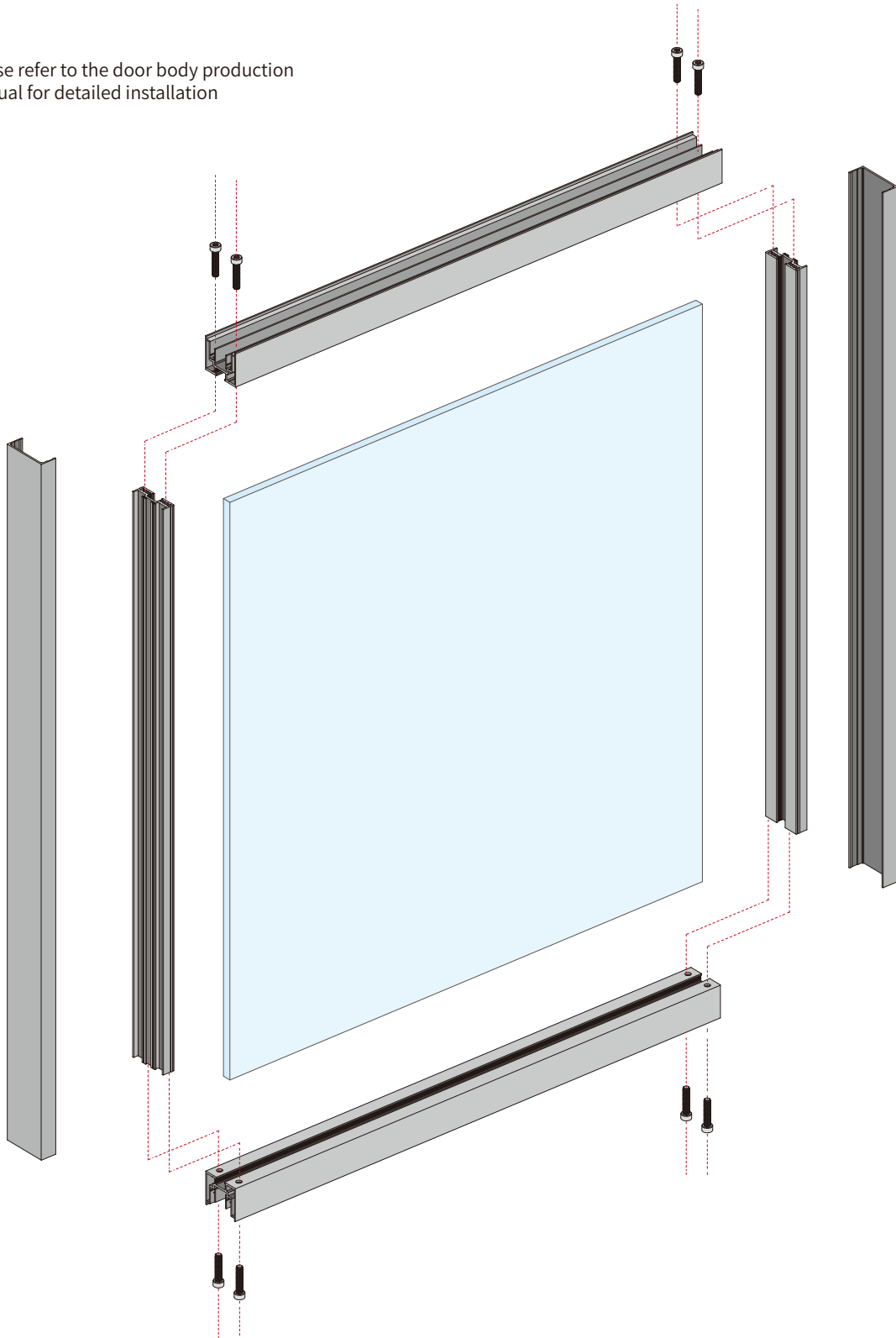


!
Plug in and check power.
If rollers runs = Power ON.
If not: Check terminal connection!
Confirm power before proceeding.



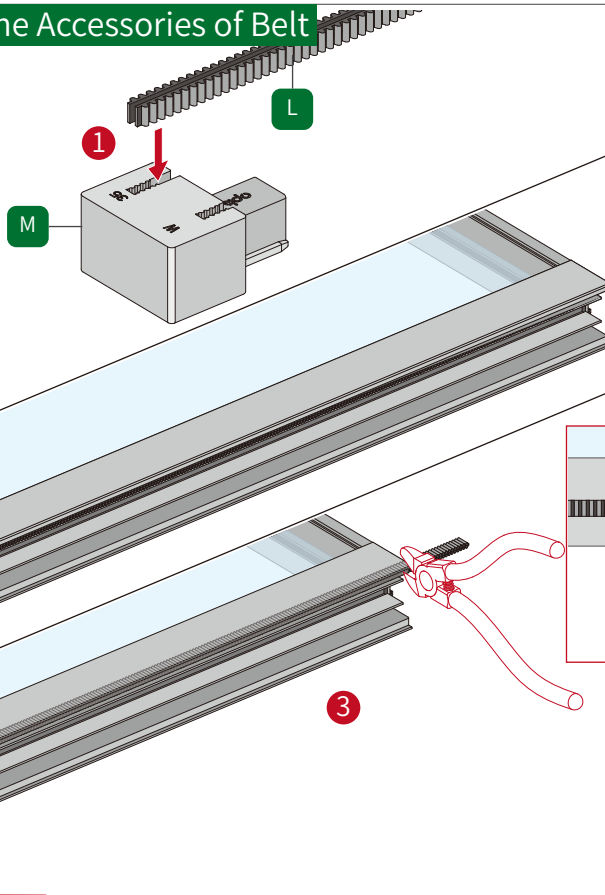
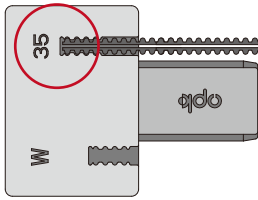
10 Install the Door

 Please refer to the door body production manual for detailed installation



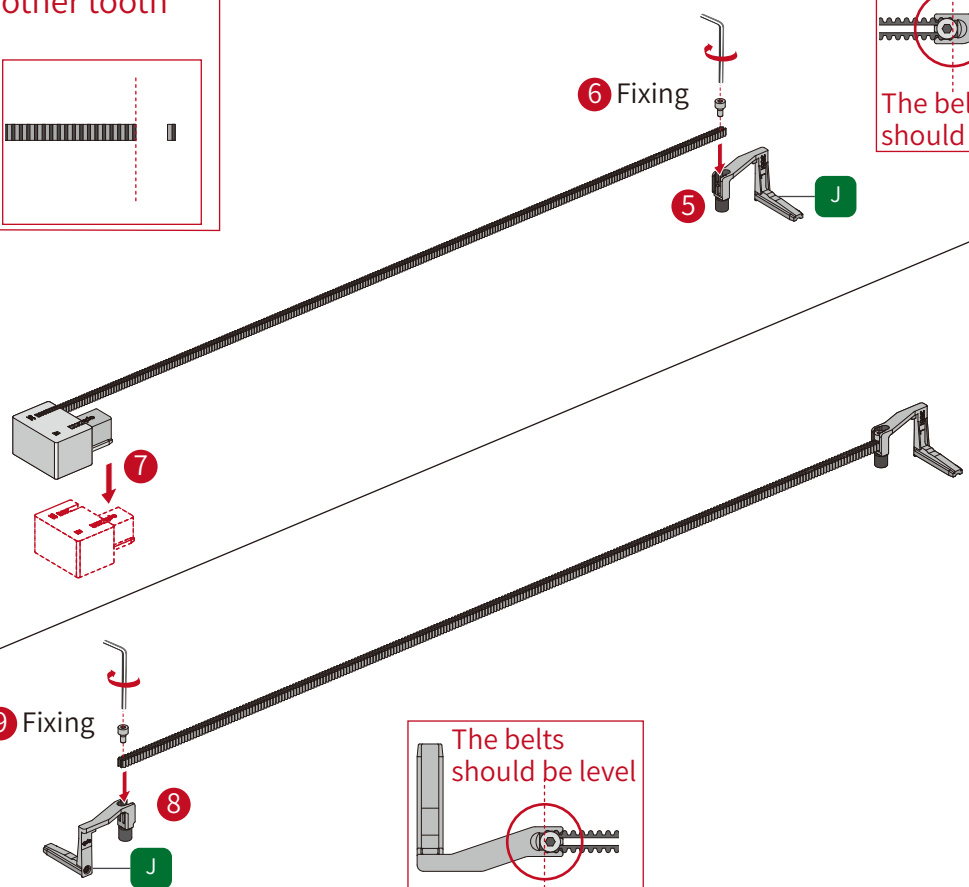
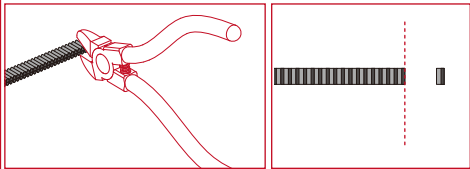
11 Cutting-belt Install the Accessories of Belt

According to the thickness of the door, confirm the use of belt mold



Cut the door frame flush

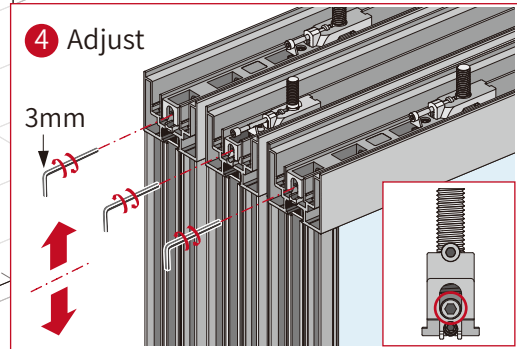
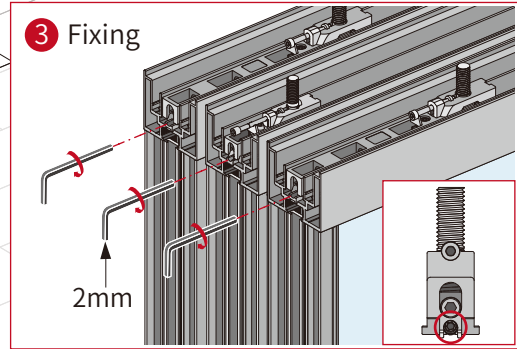
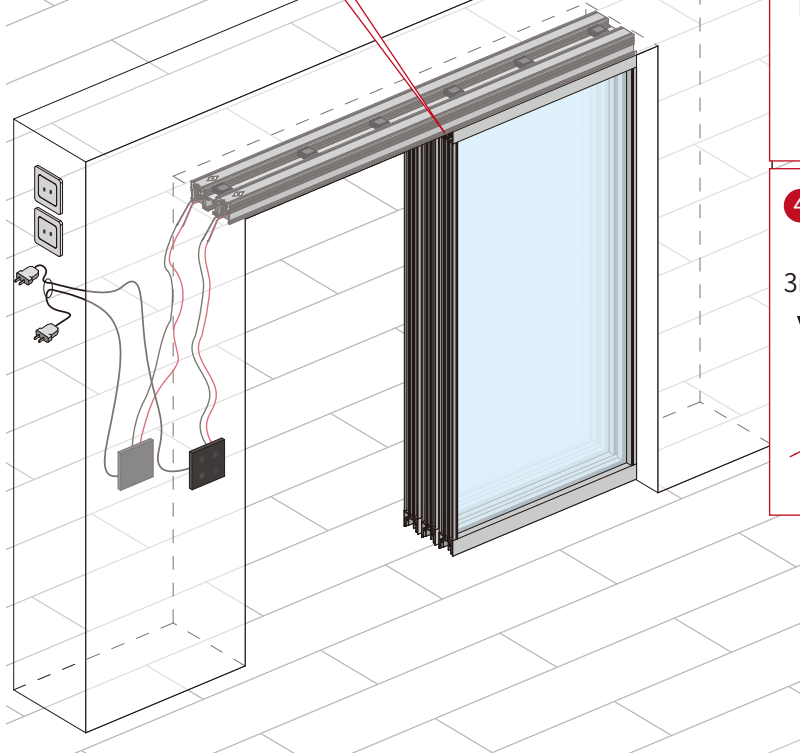
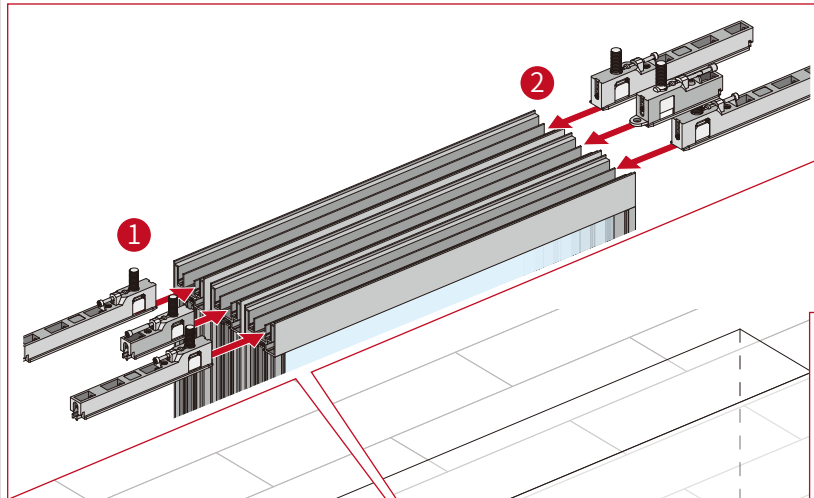
4 After cutting the door frame straight, cut another tooth

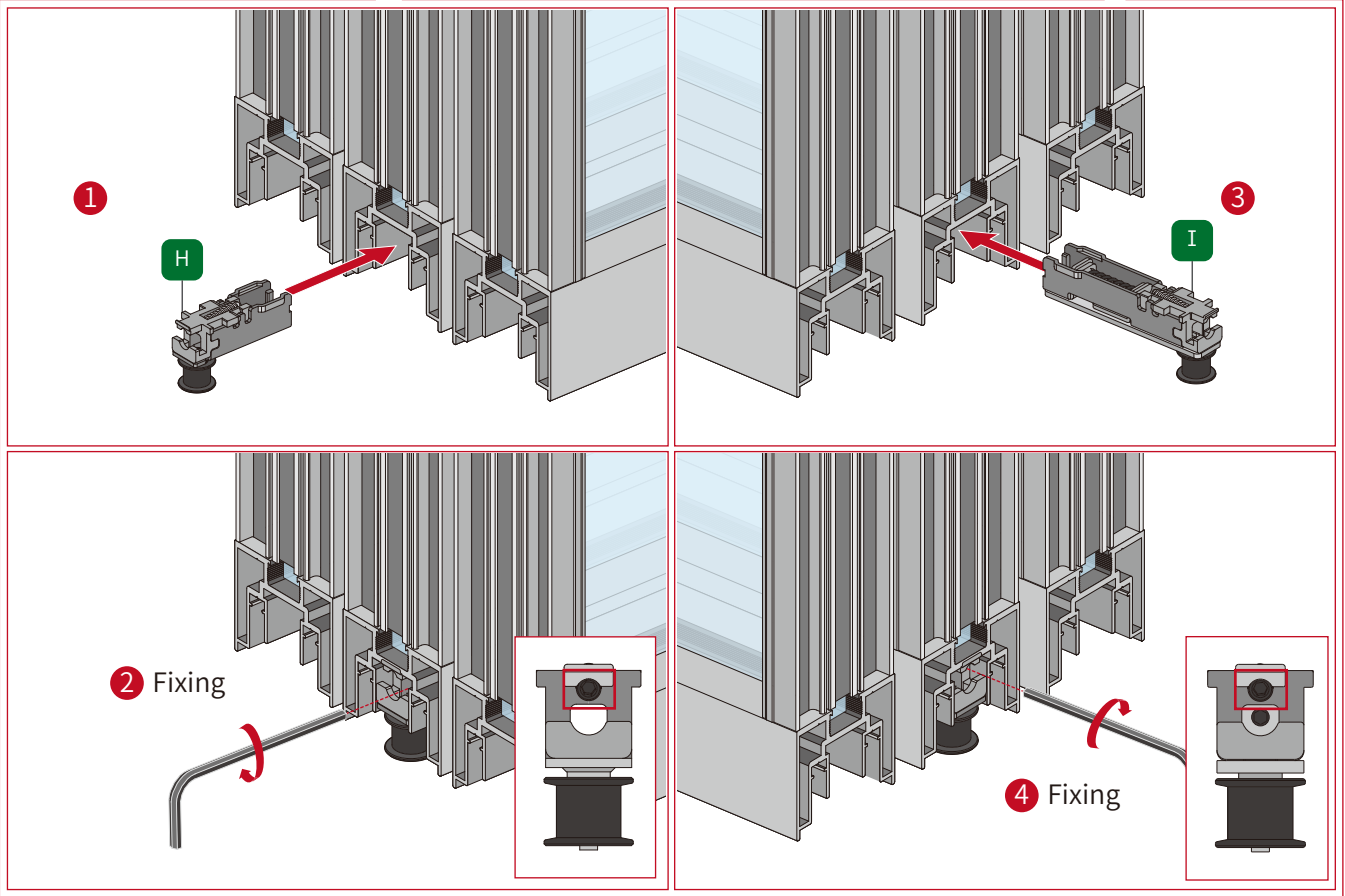
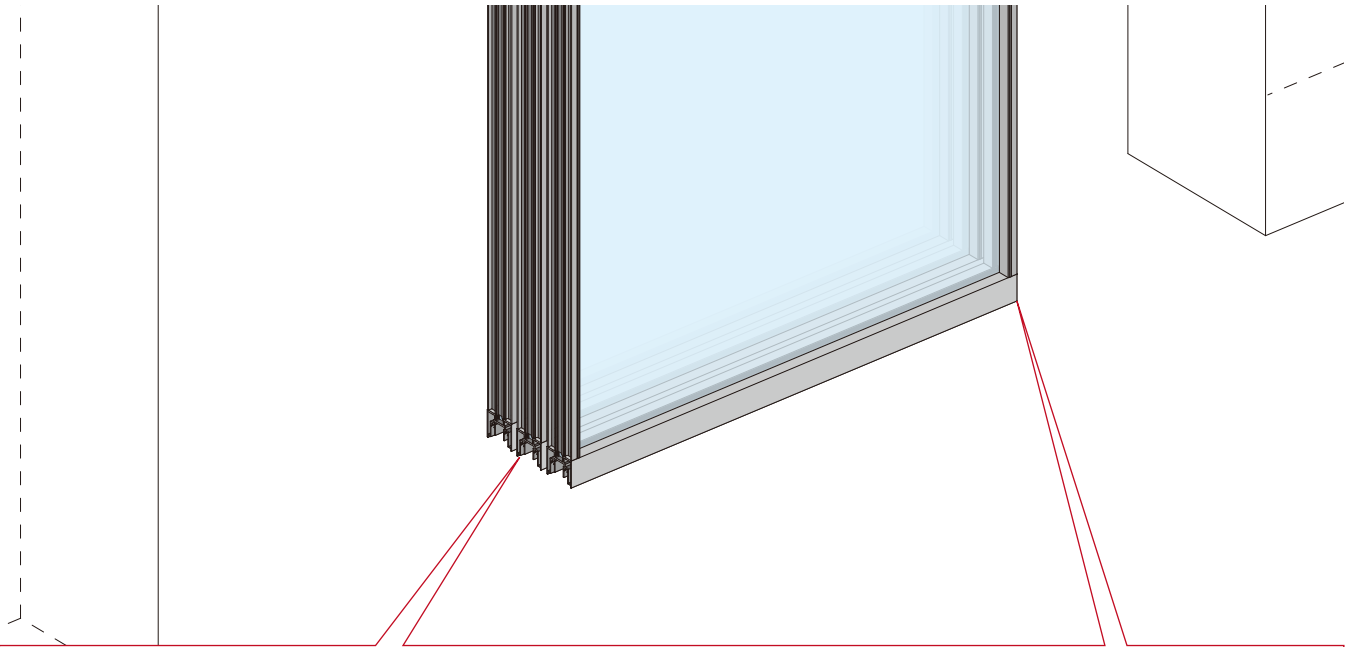


The belts should be level

The belts should be level

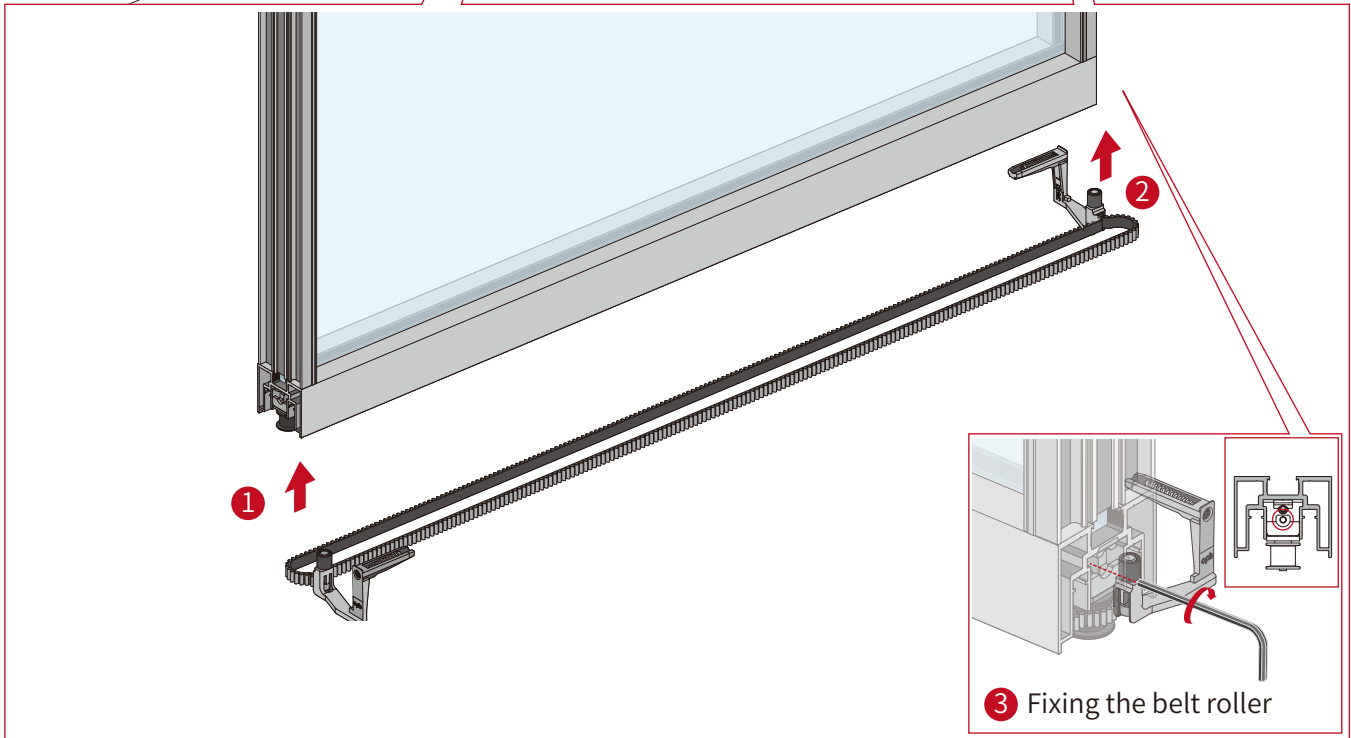
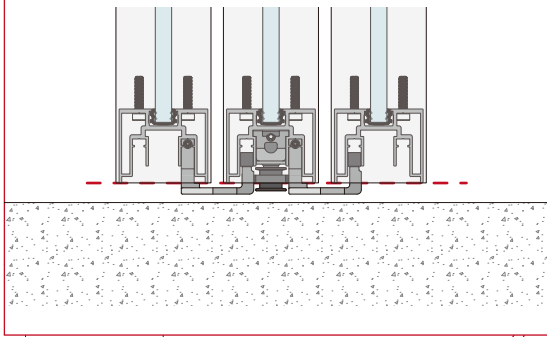
12 Install the Door



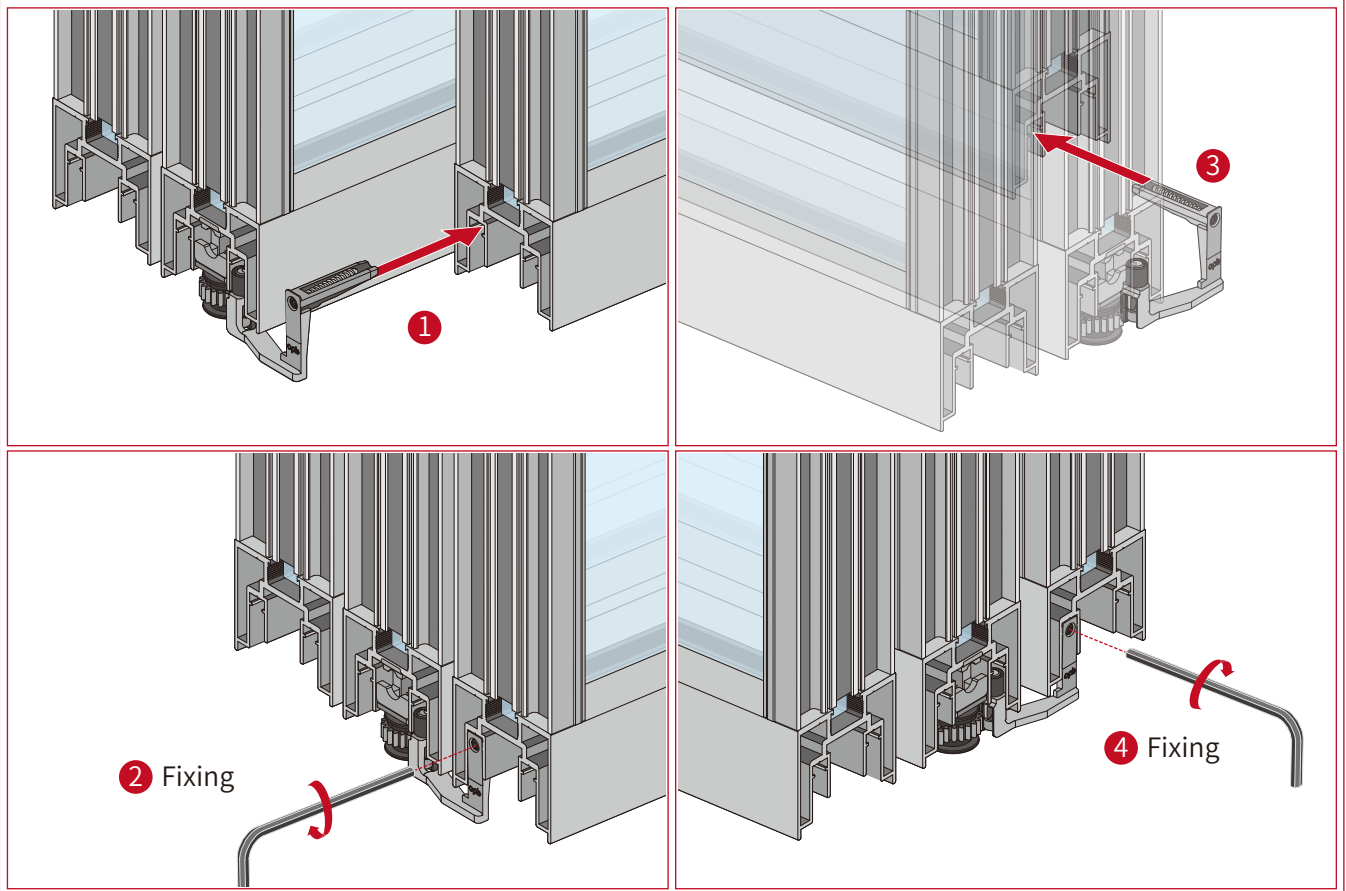
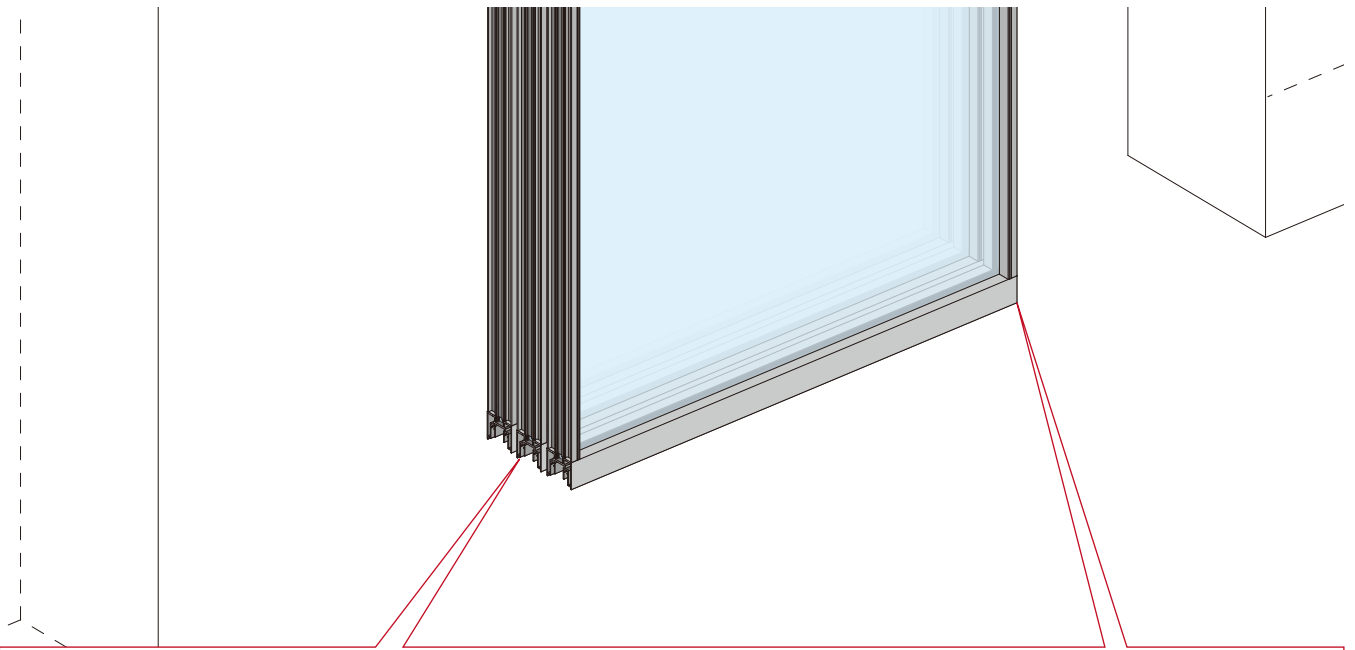


14 Install the Belt

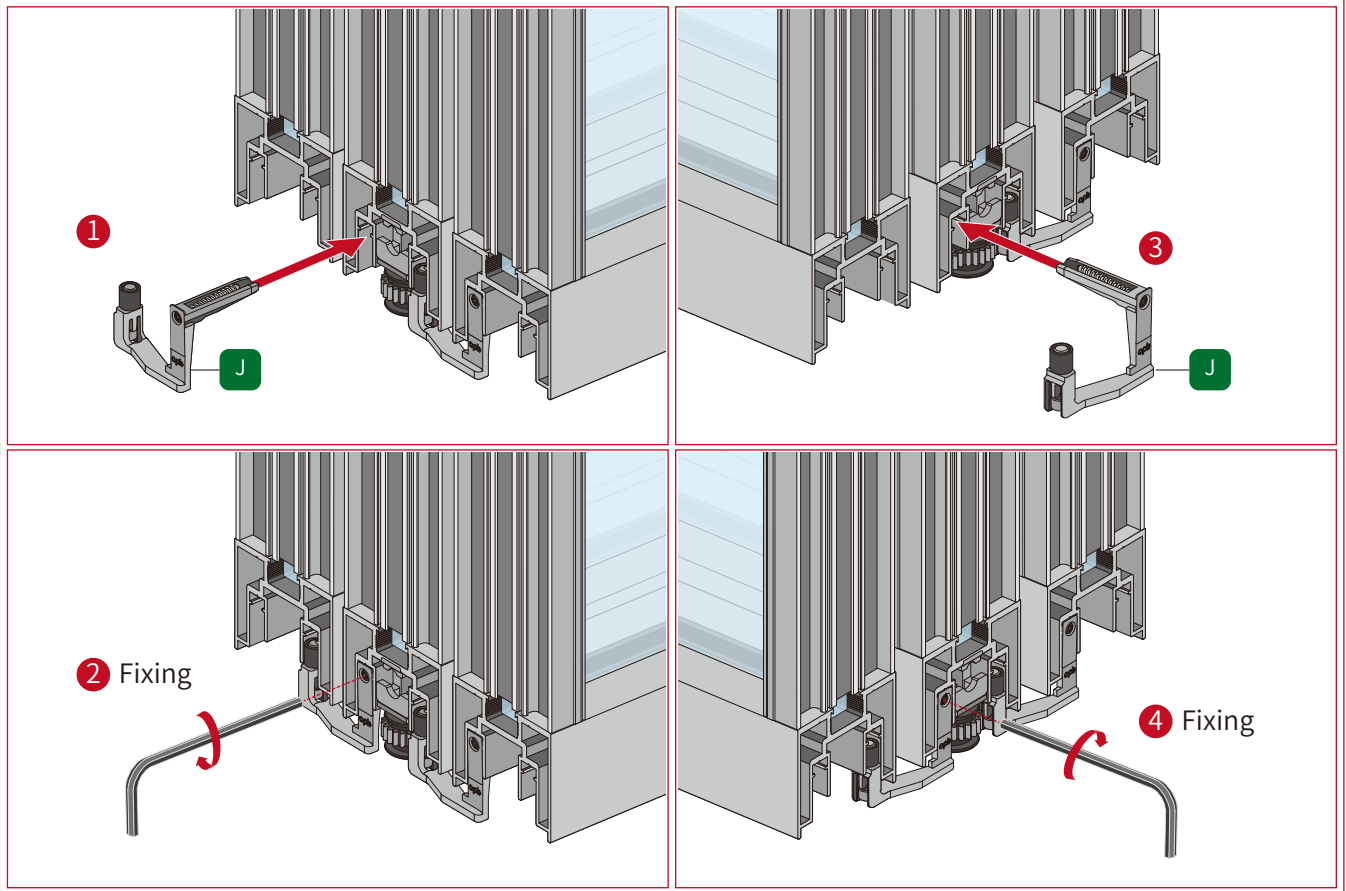
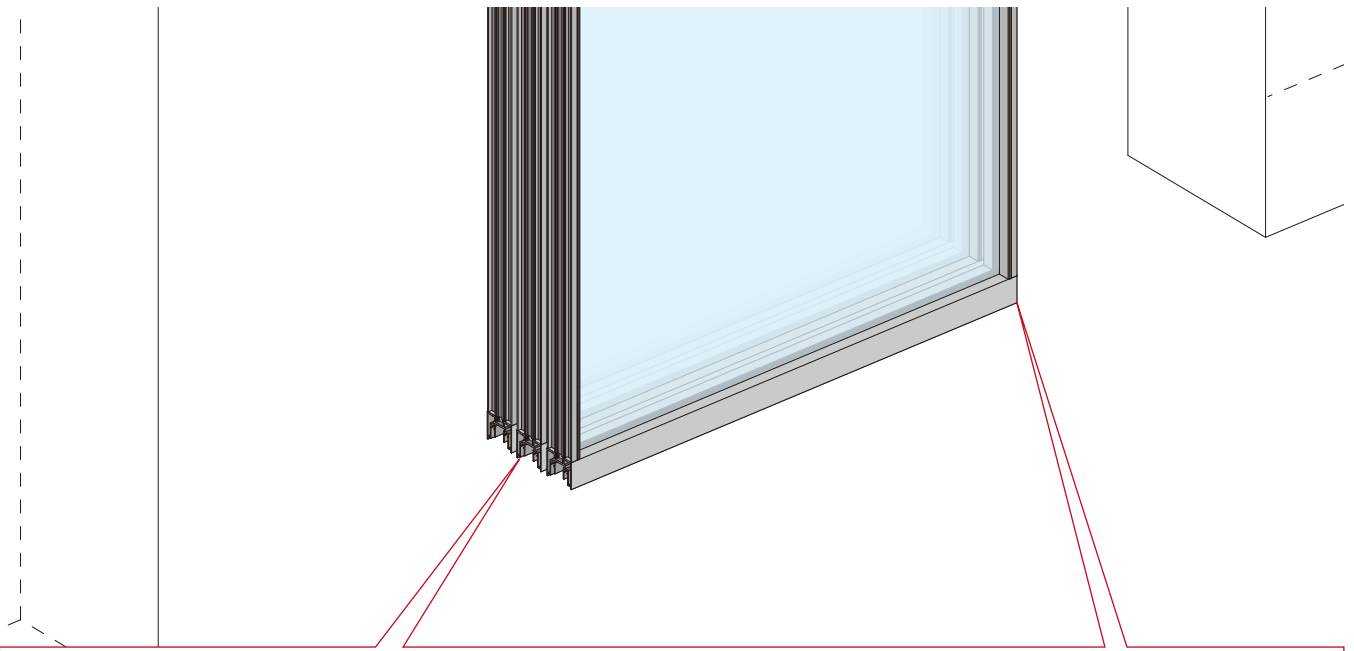
*Must be flush.



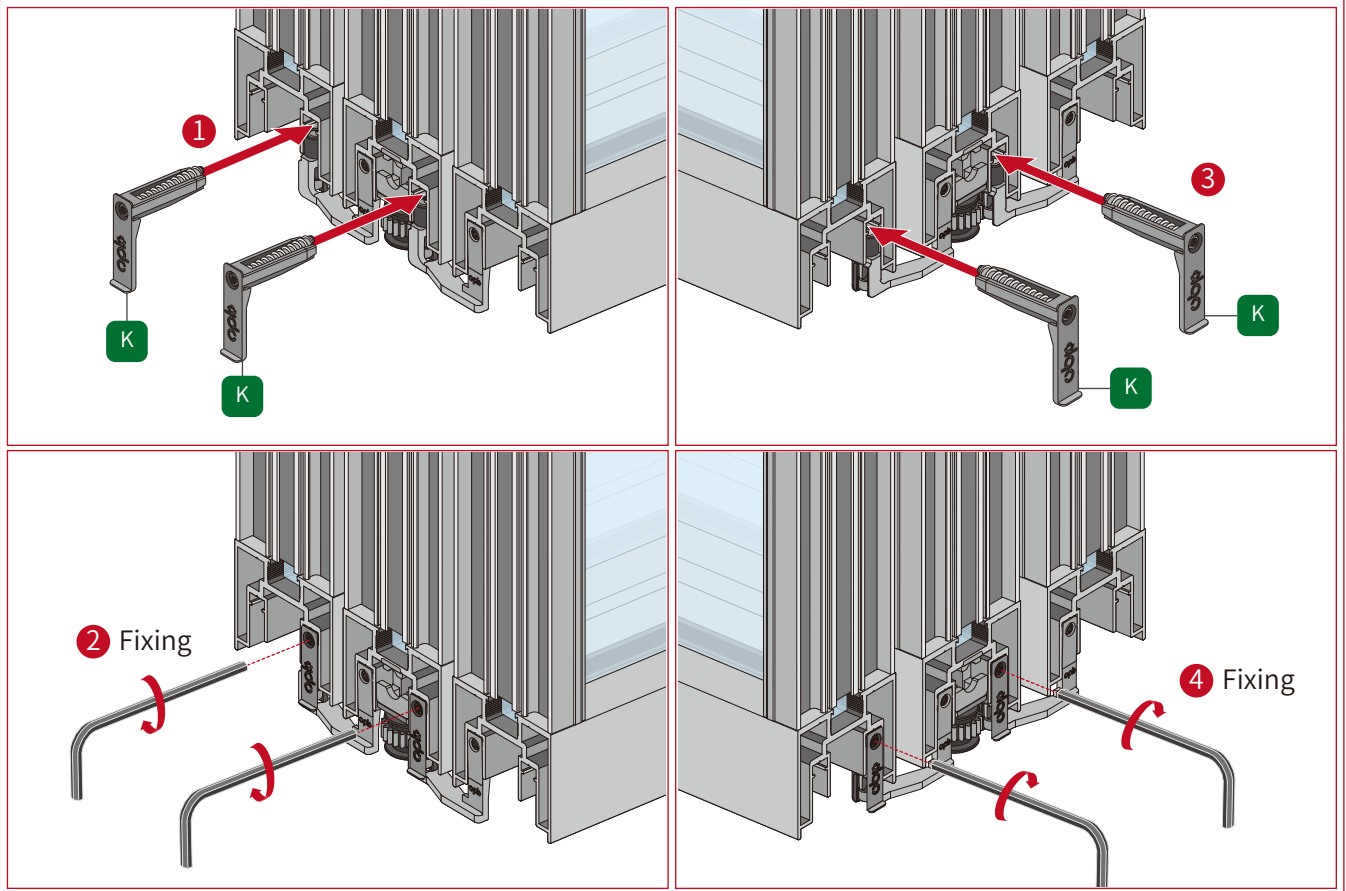
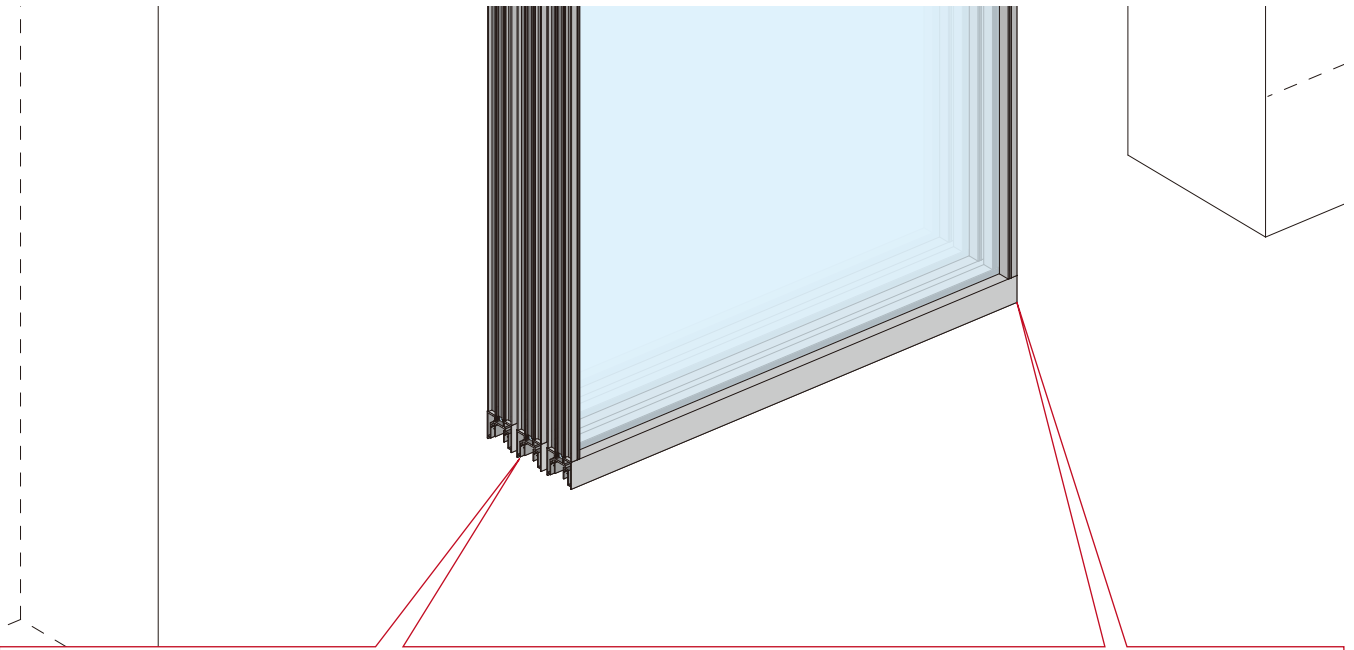
15 Connect the Door



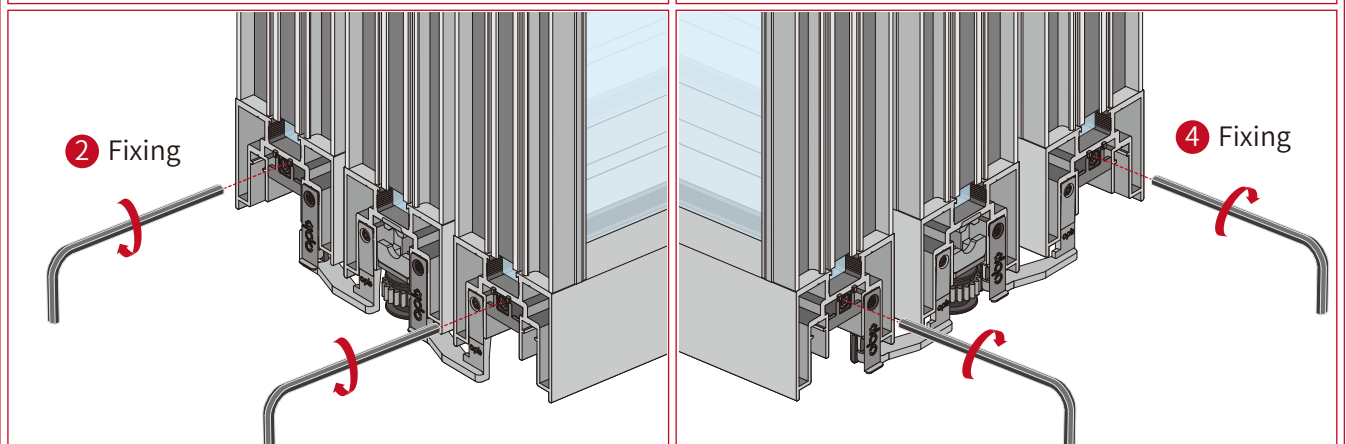
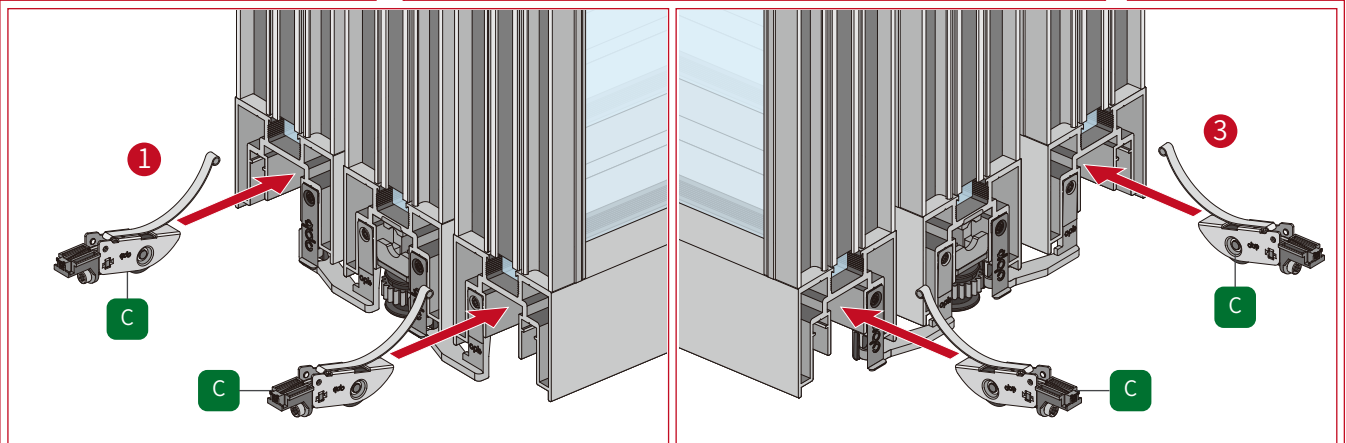
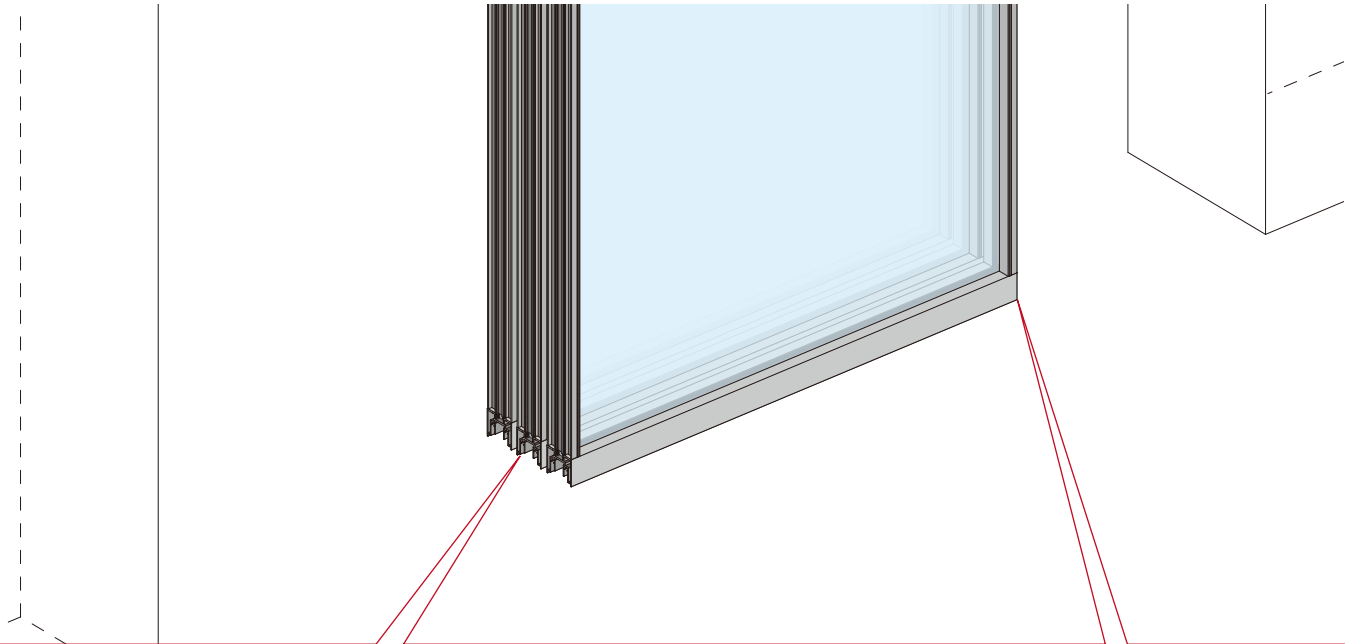
16 Install the Guiding Roller



17 Install the Anti-pushing or Anti-pulling Fittings

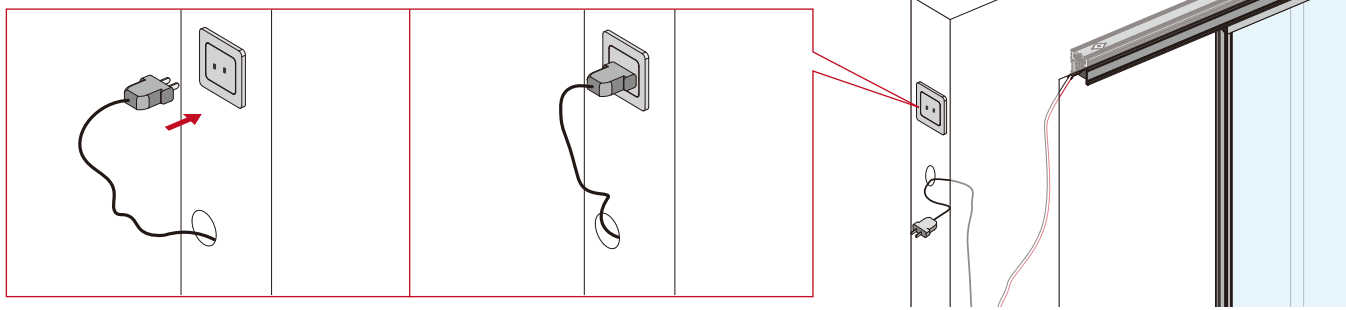


18 Install Anti-swing Rollers



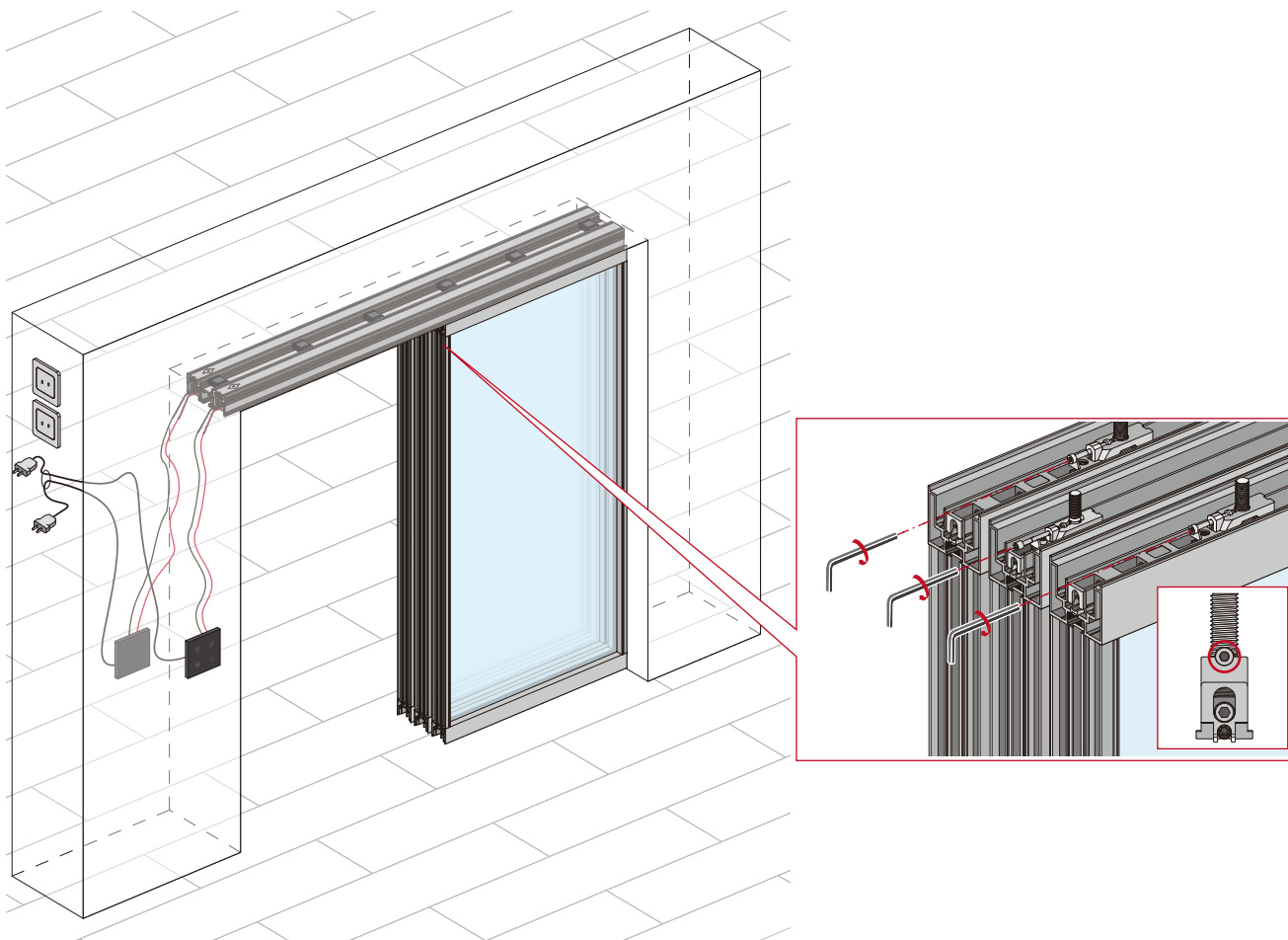
19 Power-on Learning

⚠ After the door stops after powering on, it must be connected to the APP and click the learning button on the APP to learn once.

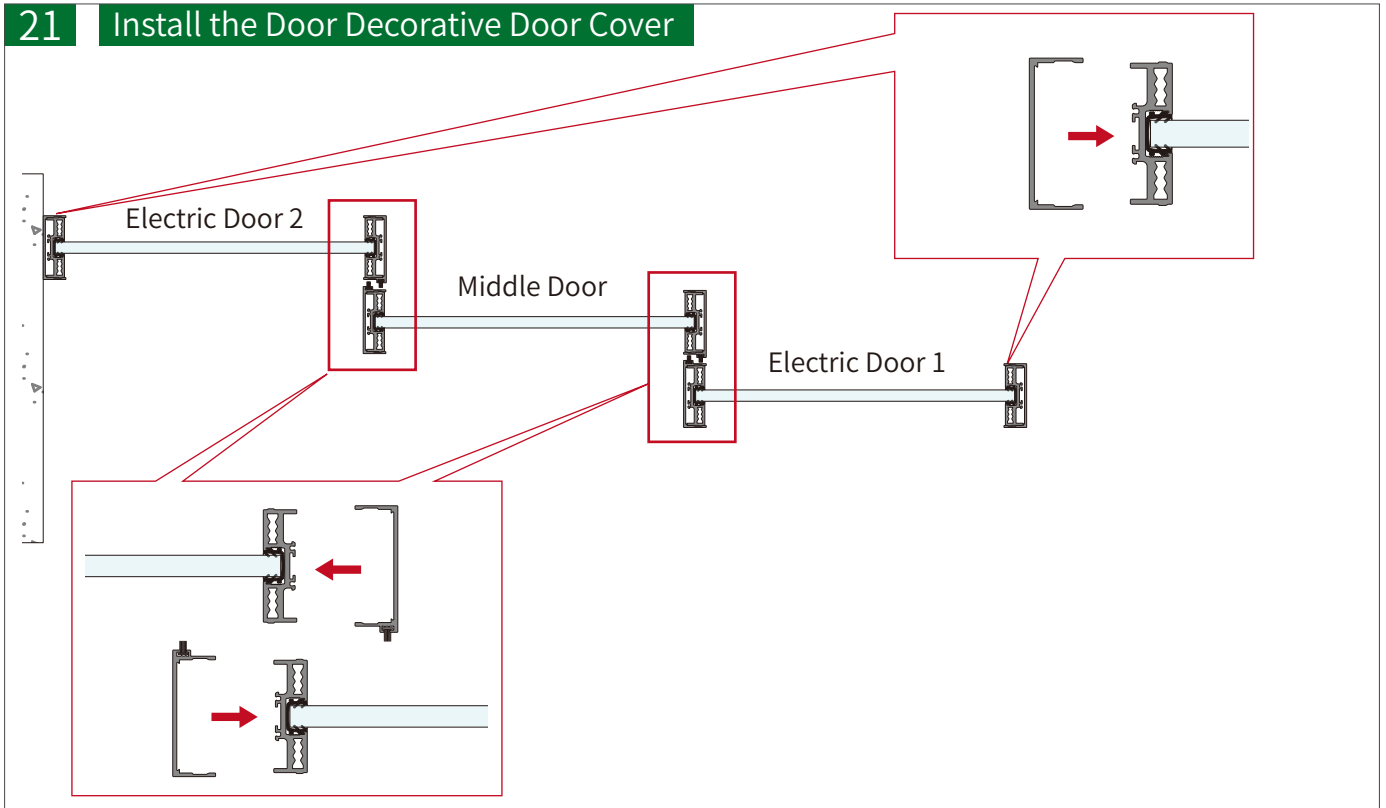


20 Adjust the Door

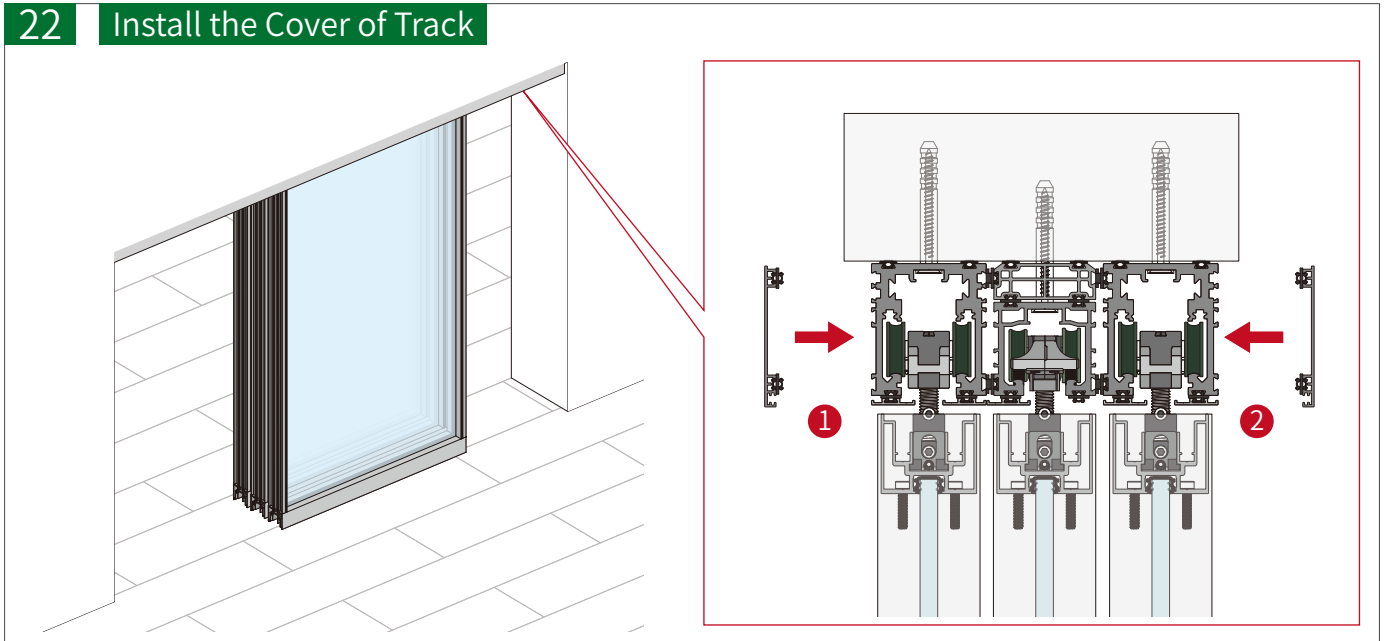
⚠ The door may jump violently due to a over-light door
Tighten the bolt can effectively ease the door jumping.

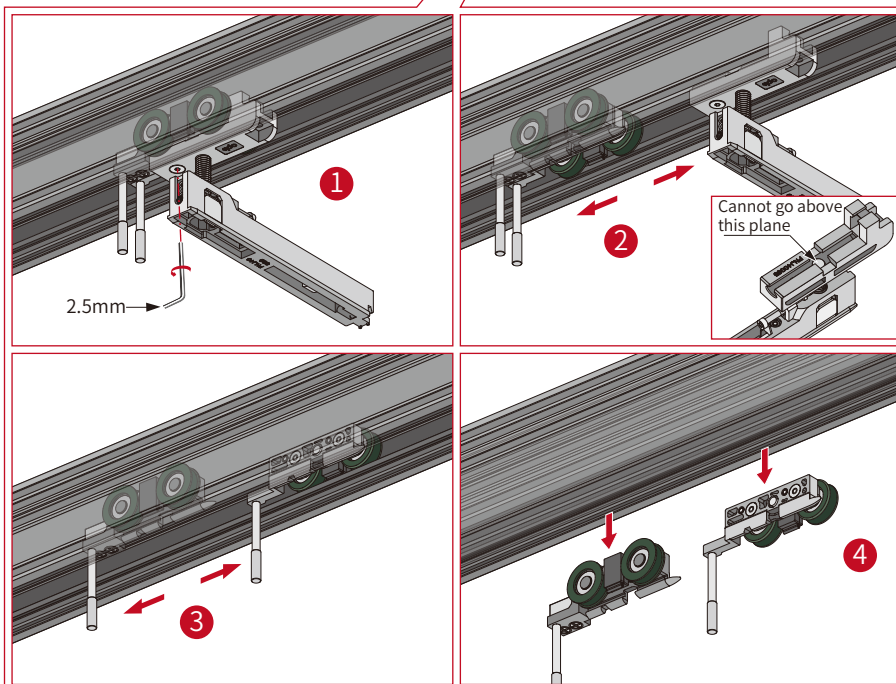
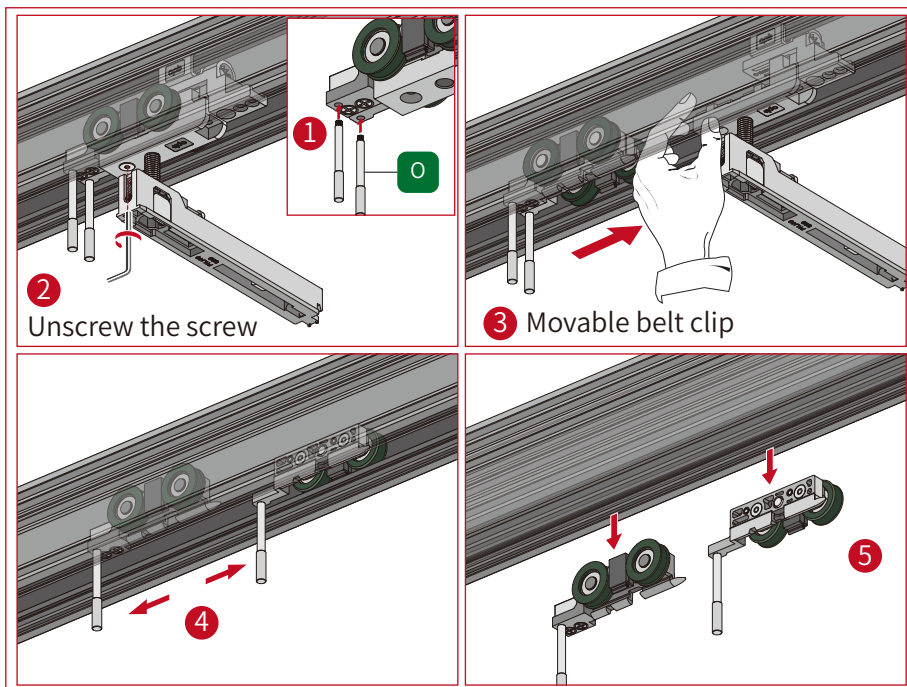


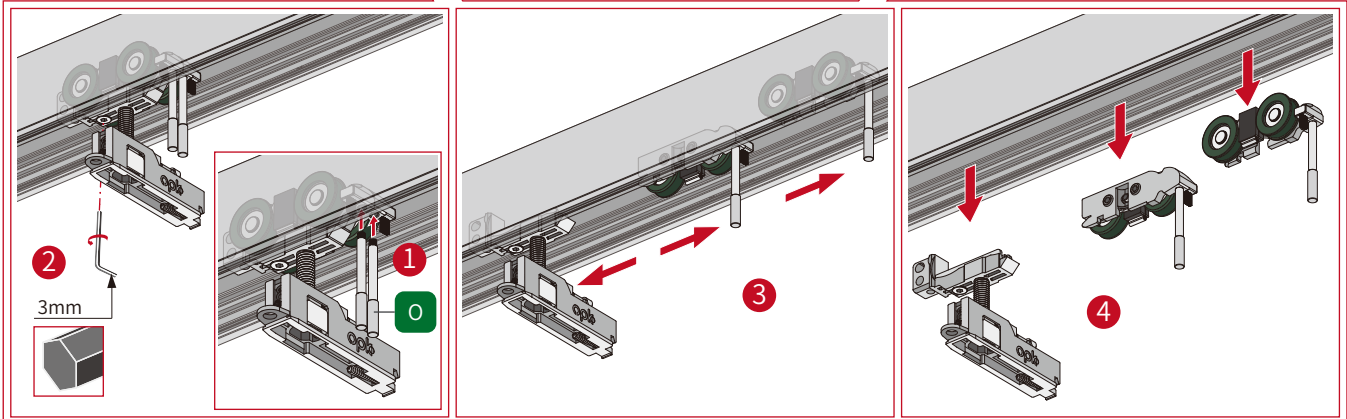
21 Install the Door Decorative Door Cover



22 Install the Cover of Track



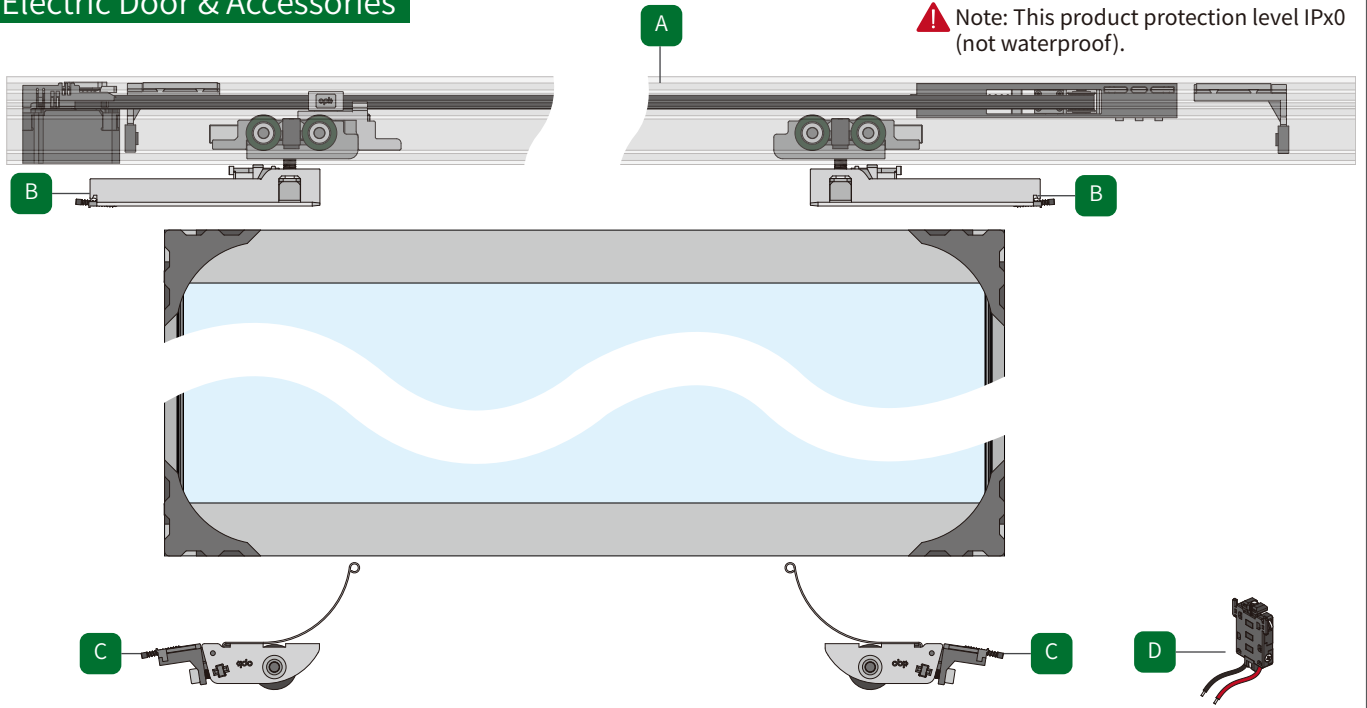




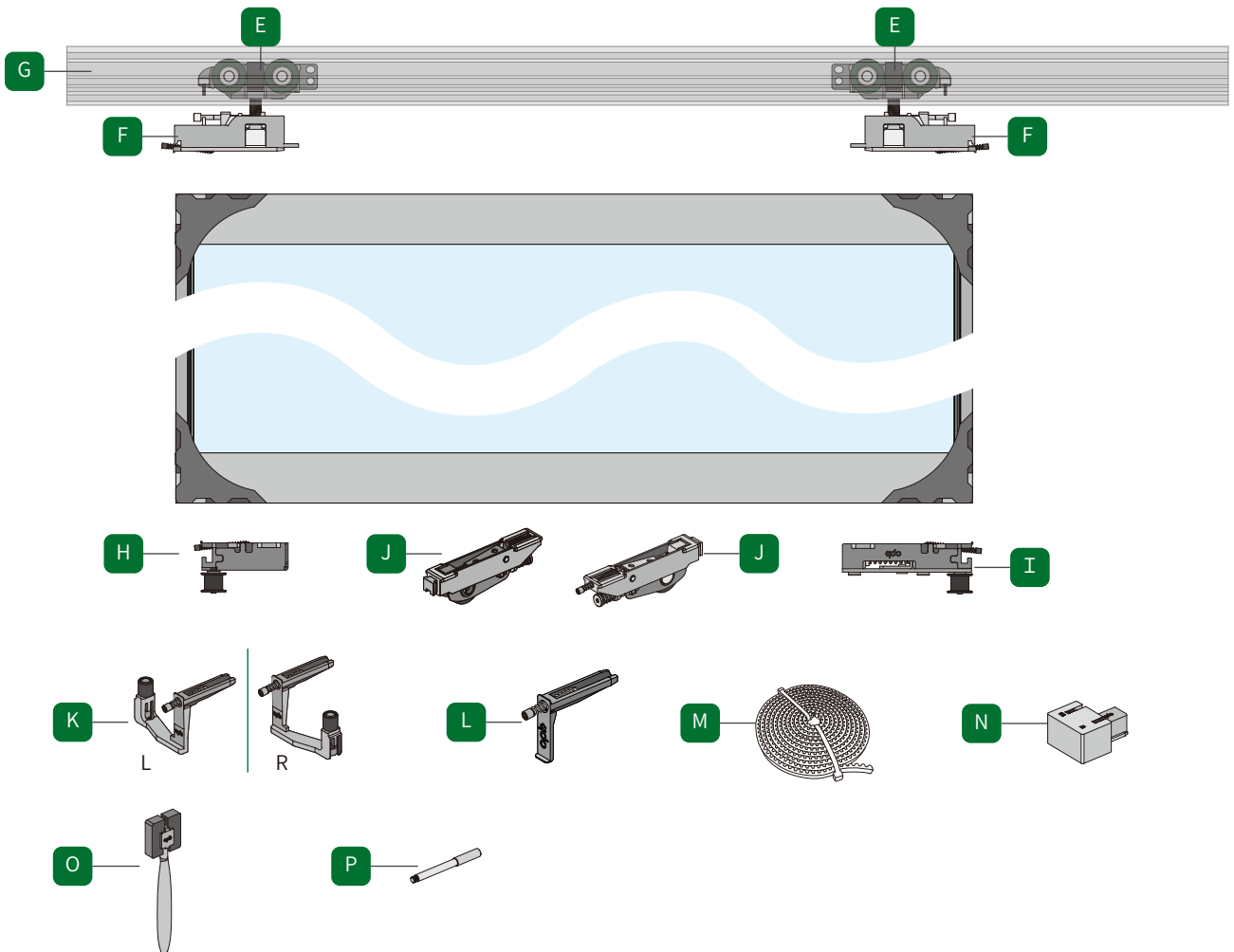
Perfect E-Motion Stacking Multi-Doors -Installation Instruction

Electric Door & Accessories

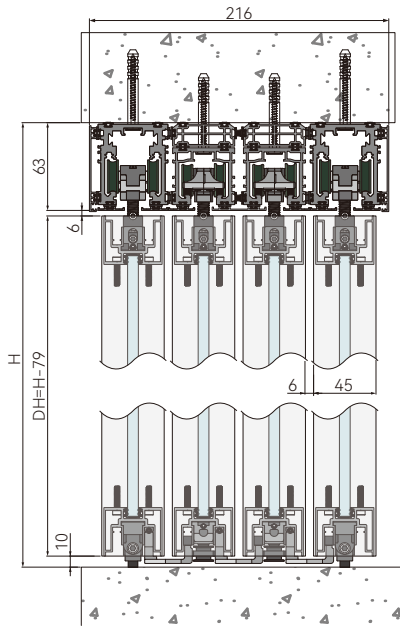
Note: This product protection level IPx0 (not waterproof).



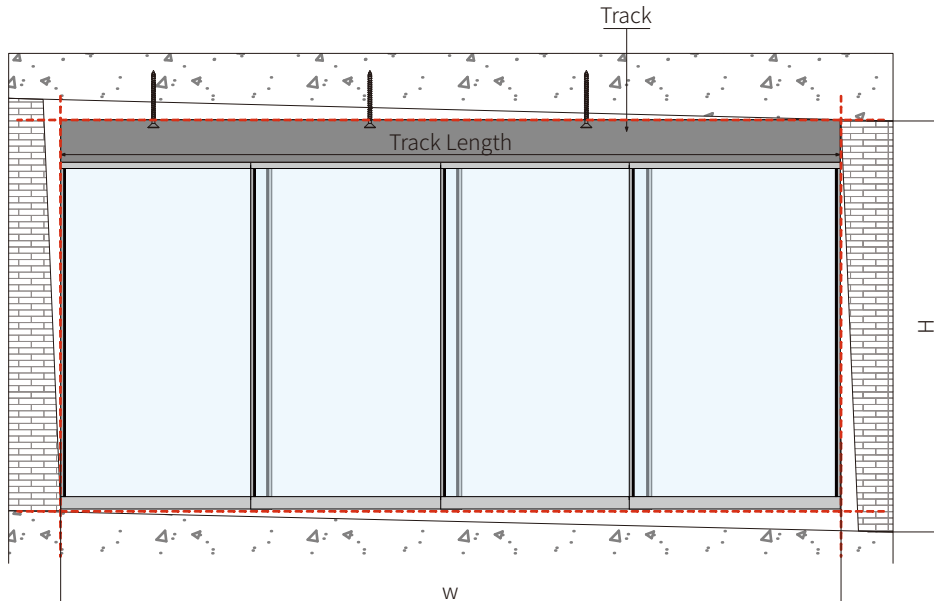
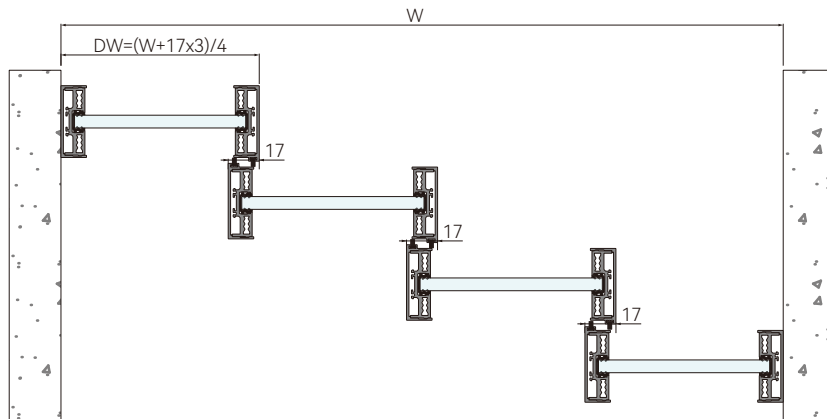
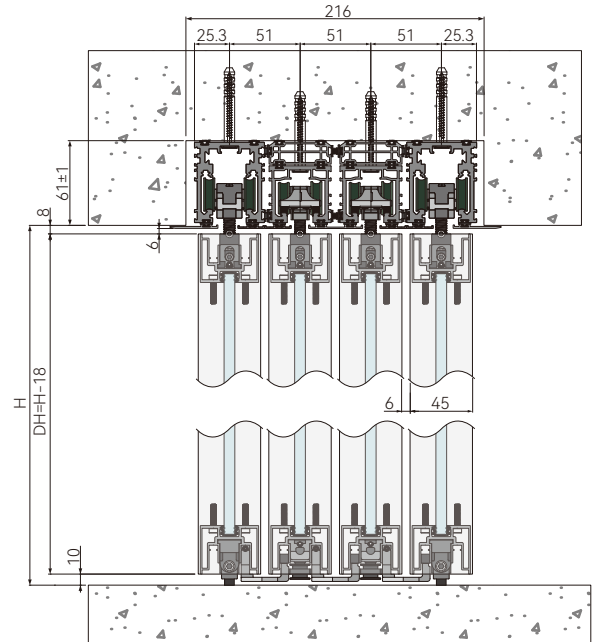
Middle Door & Accessories



Surface Mounting



Concealed Mounting



Right Opening Stacking Multi-Door Accessories

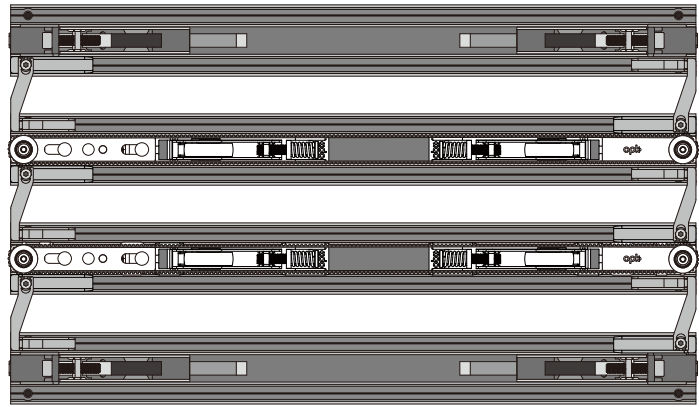


Electric Door 2

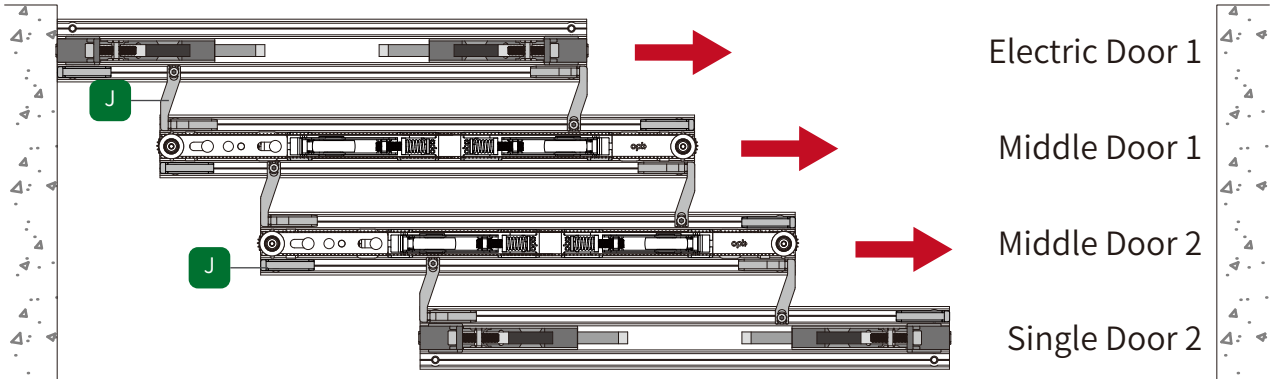
Middle Door 2

Middle Door 1

Electric Door 1



View from bottom: Open the door to the right



Left Opening Stacking Multi-Door Accessories

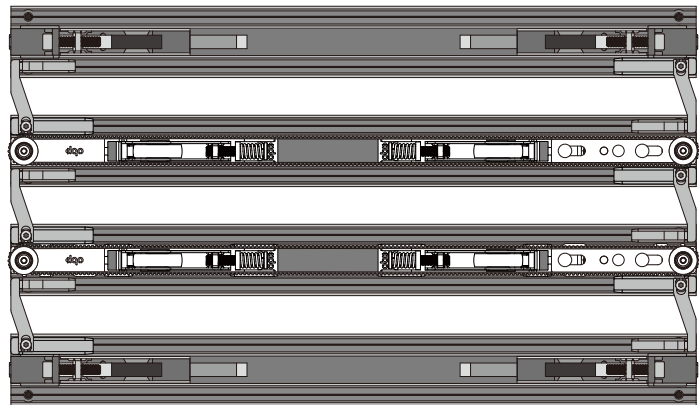


Electric Door 2

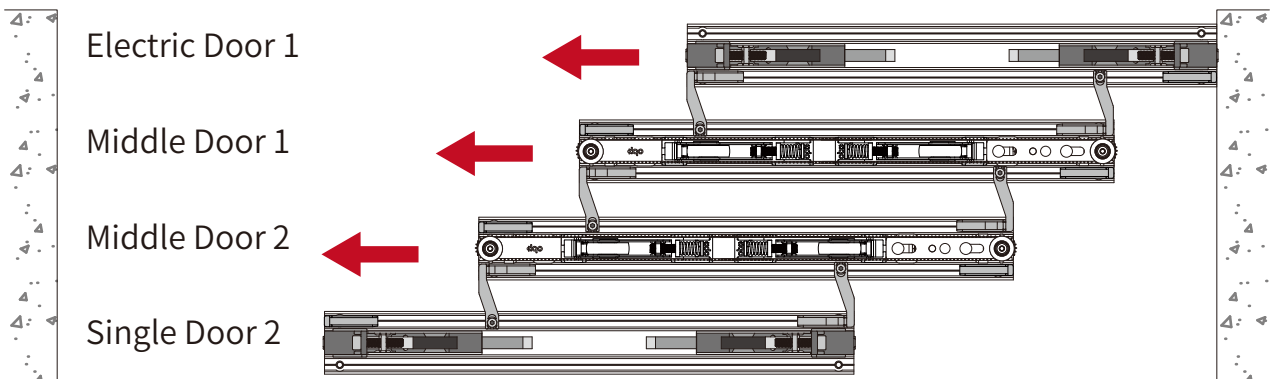
Middle Door 2

Middle Door 1

Electric Door 1

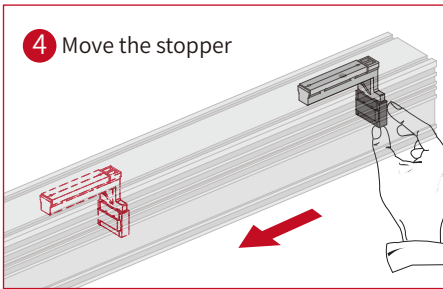
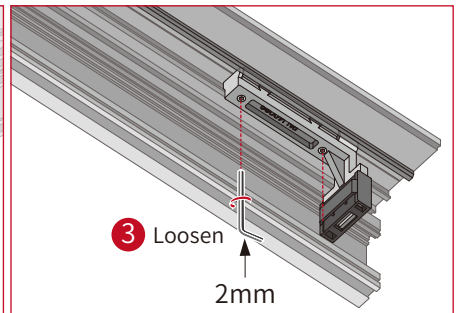
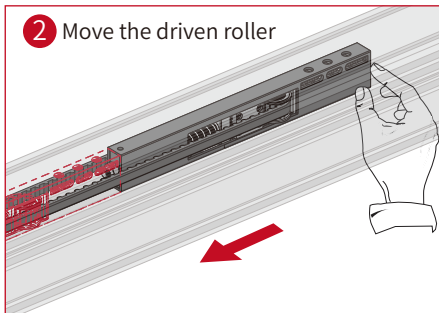
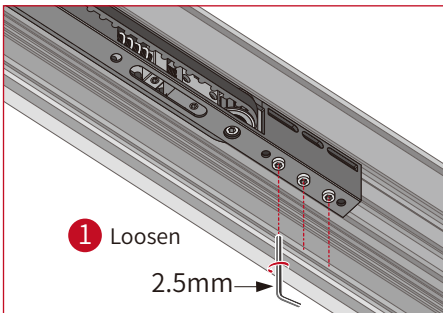
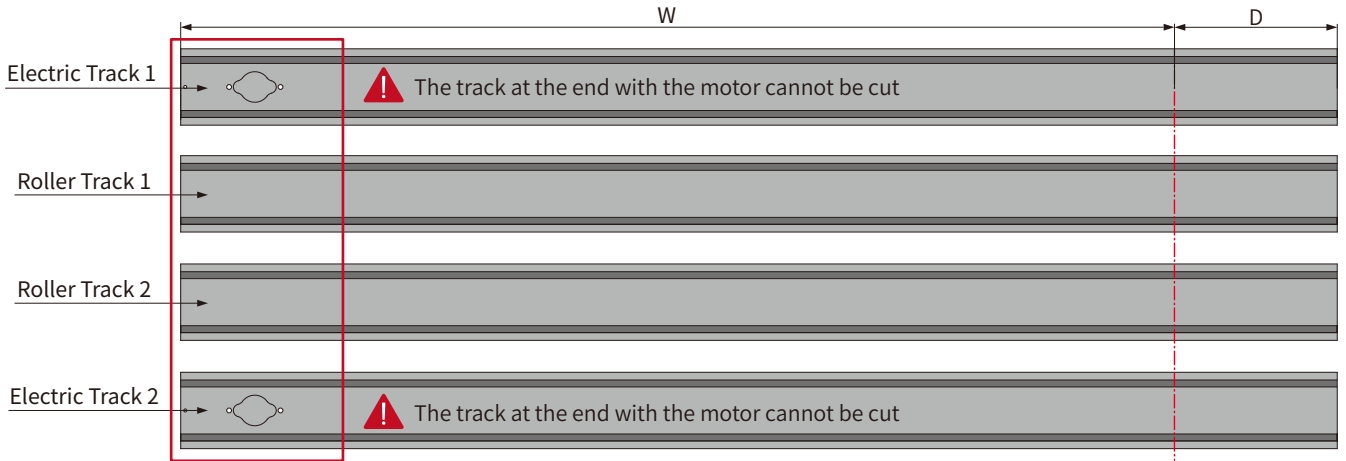


View from bottom: Open the door to the left



1-1 Cutting Track

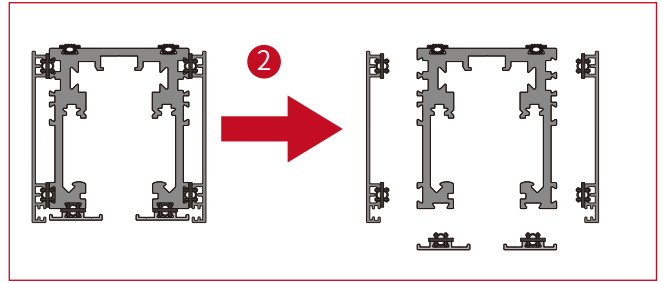
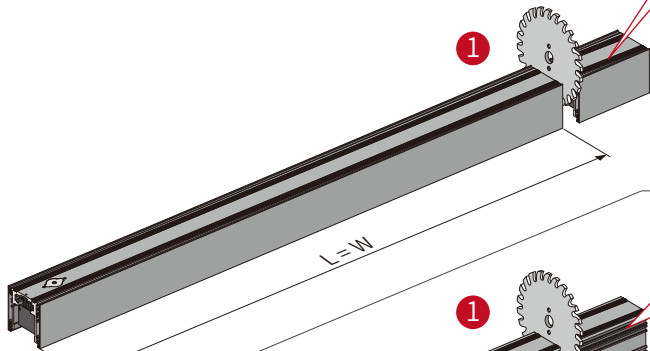
D=The Length of the Track Cutting



1-2 Cut the Profiles Disassemble the Profiles

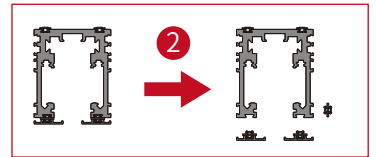
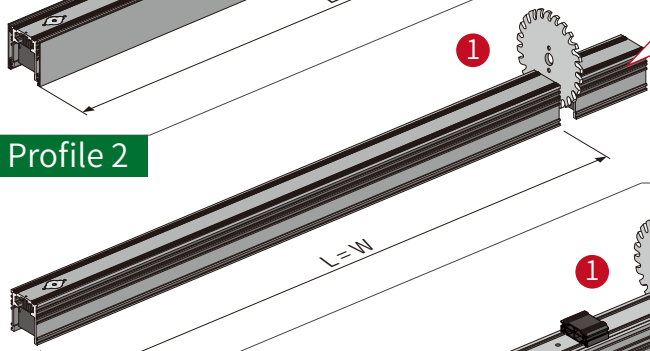
Profile 1

⚠ Cut from the uneven side of the profiles



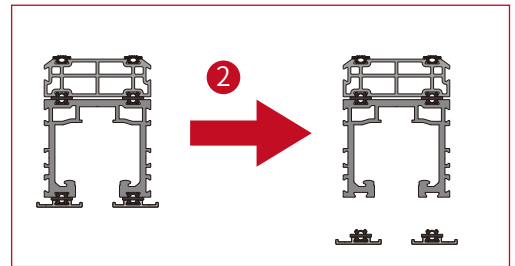
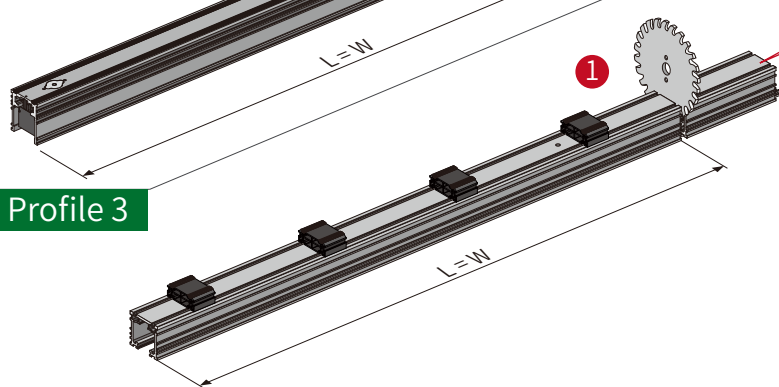
Profile 2

⚠ Cut from the uneven side of the profiles



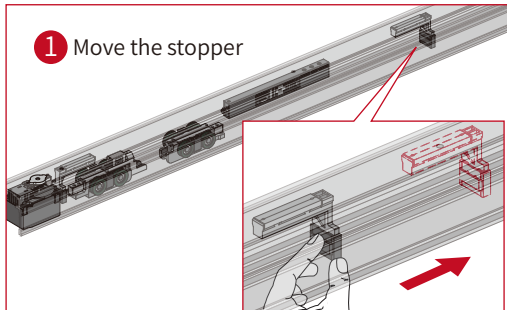
Profile 3

⚠ Cut from the uneven side of the profiles

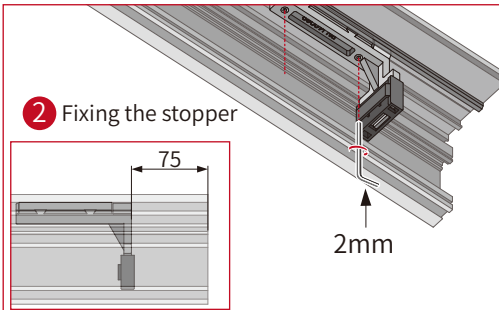


2 Adjust the Belt

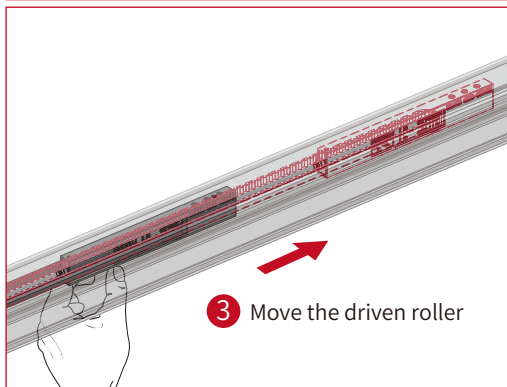
1 Move the stopper



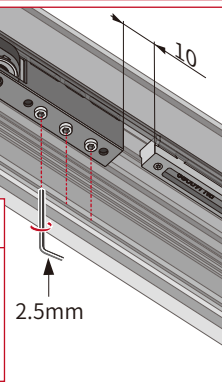
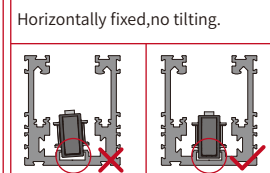
2 Fixing the stopper



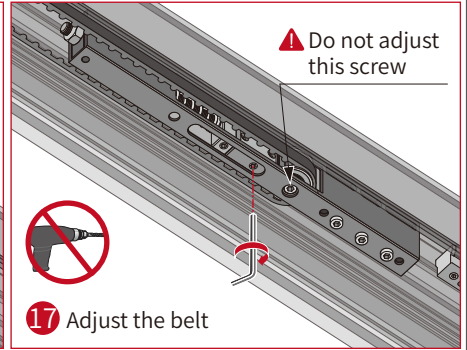
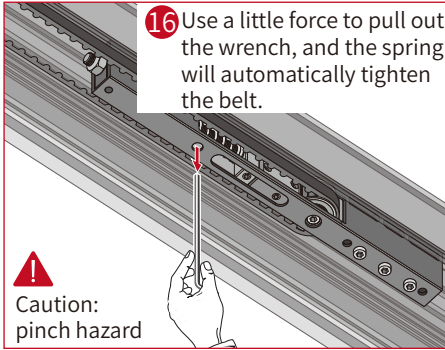
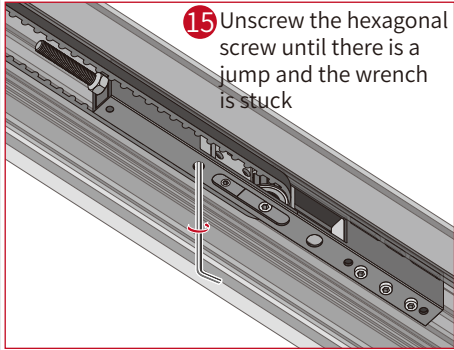
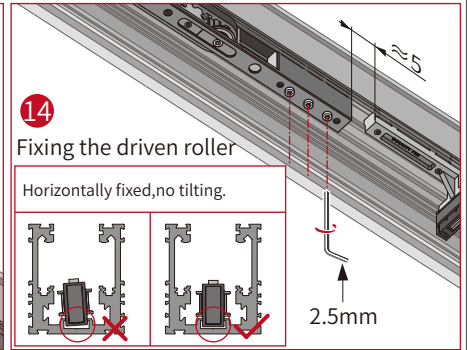
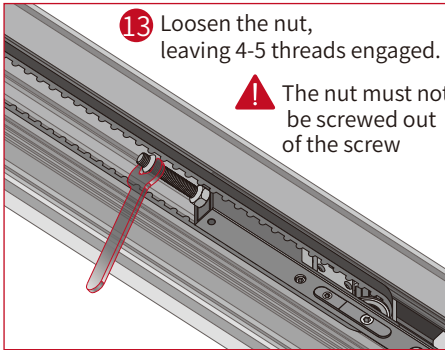
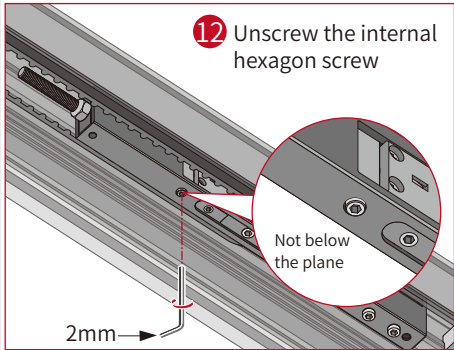
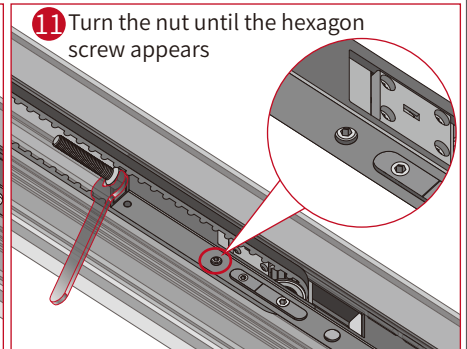
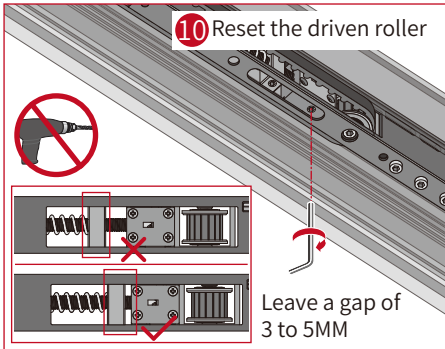
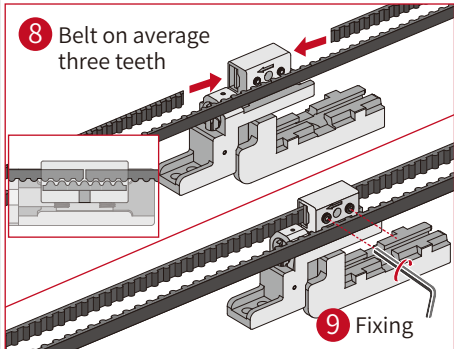
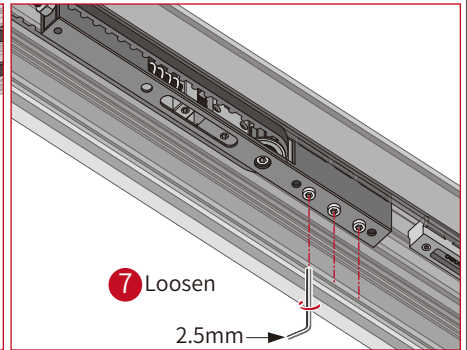
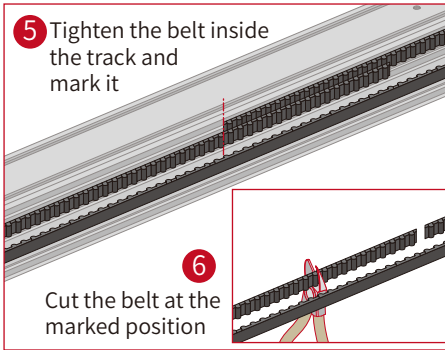
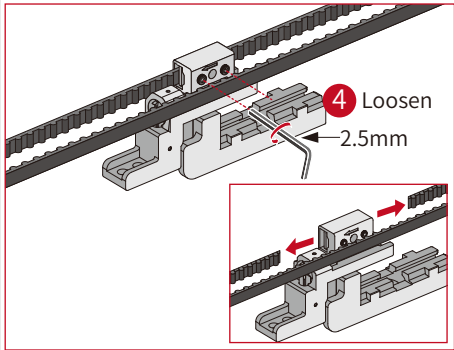
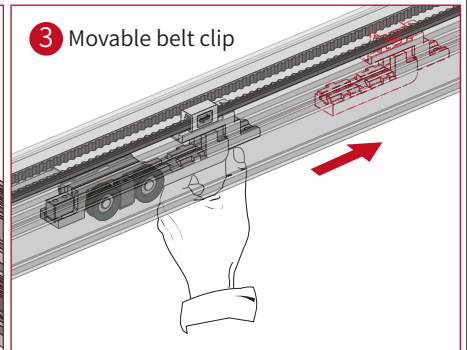
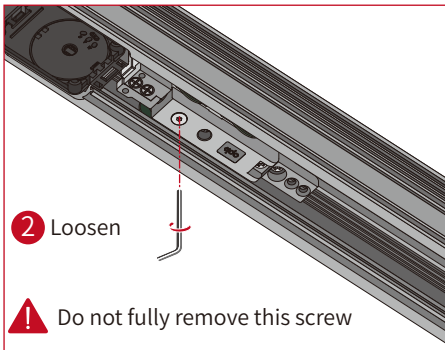
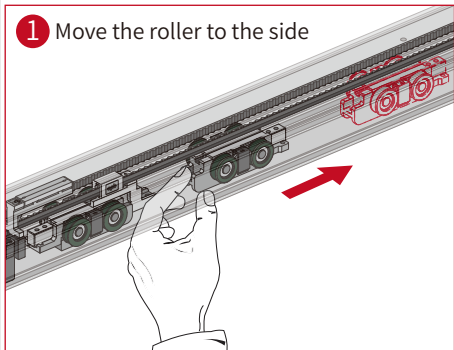
3 Move the driven roller



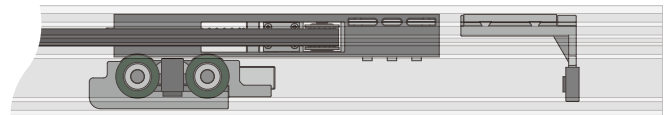
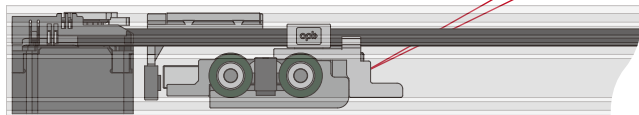
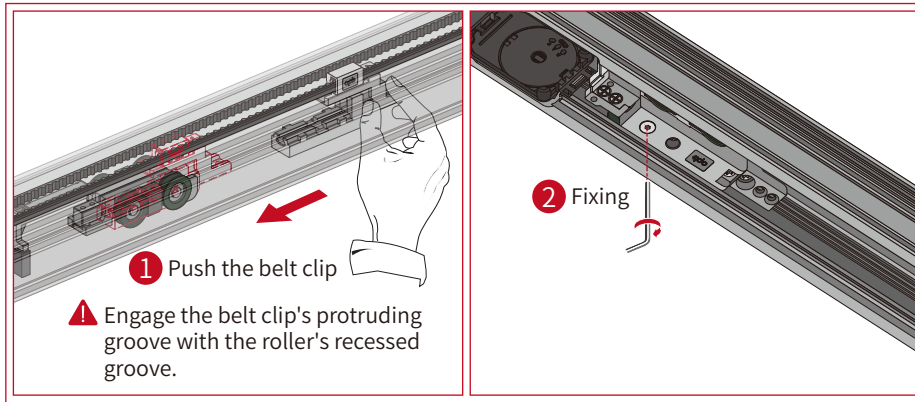
4 Fixing the driven roller



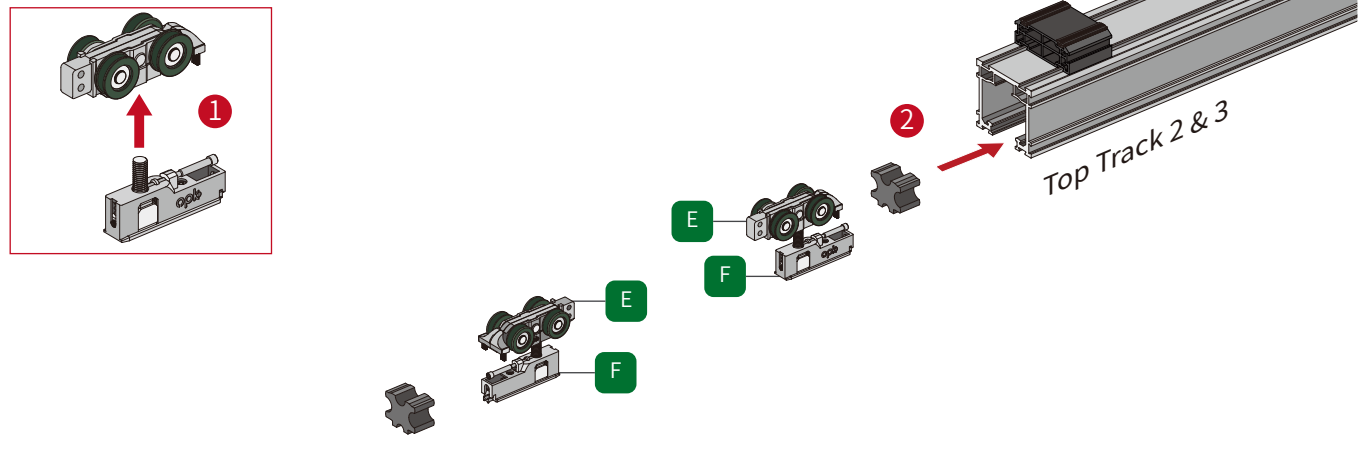
3 Adjust the Belt Connecting Track Profiles



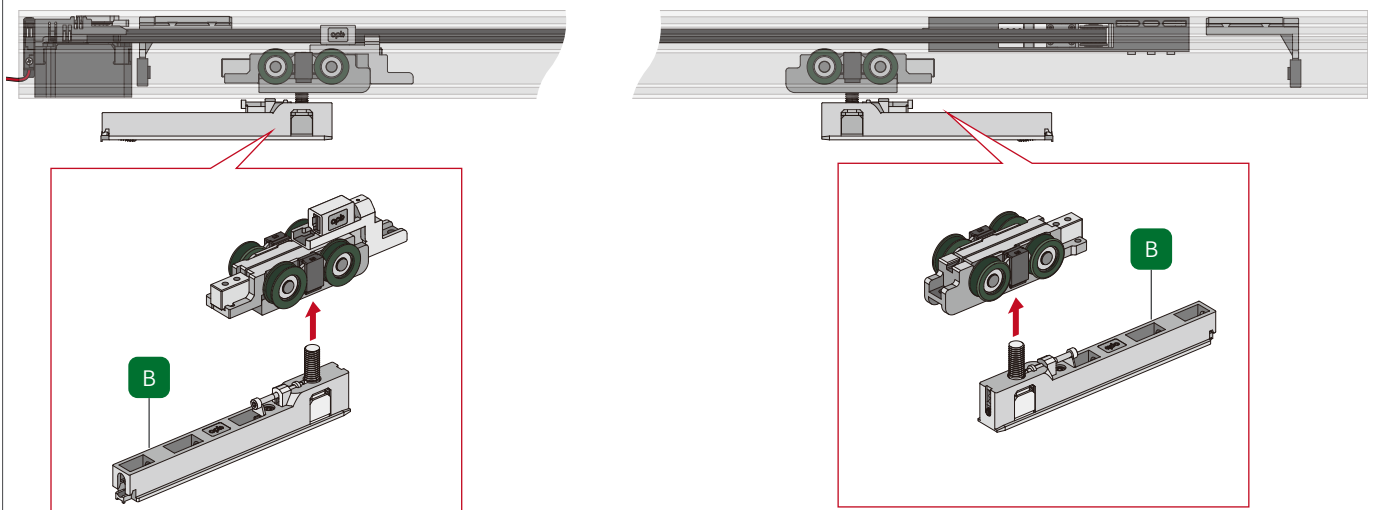
4 Install the Belt Clip for the Electric Door



5 Install the Roller and Hinge Box

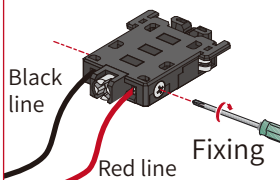


6 Install Hanging Box of the Electric Door

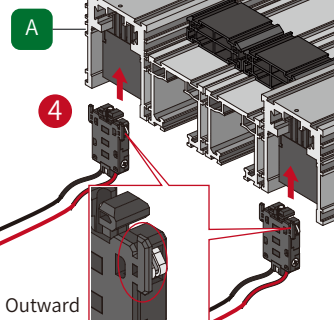
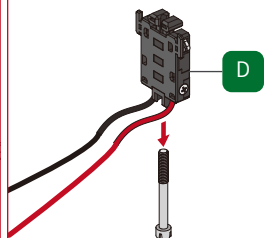


7 Install the Power Terminal and the Track

2 Power terminal wiring

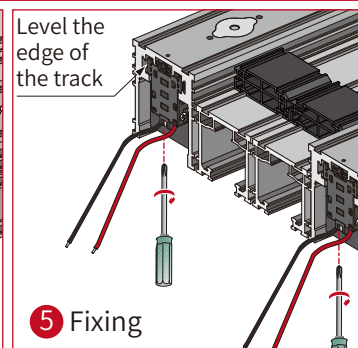


3 Pull out the long rod screw

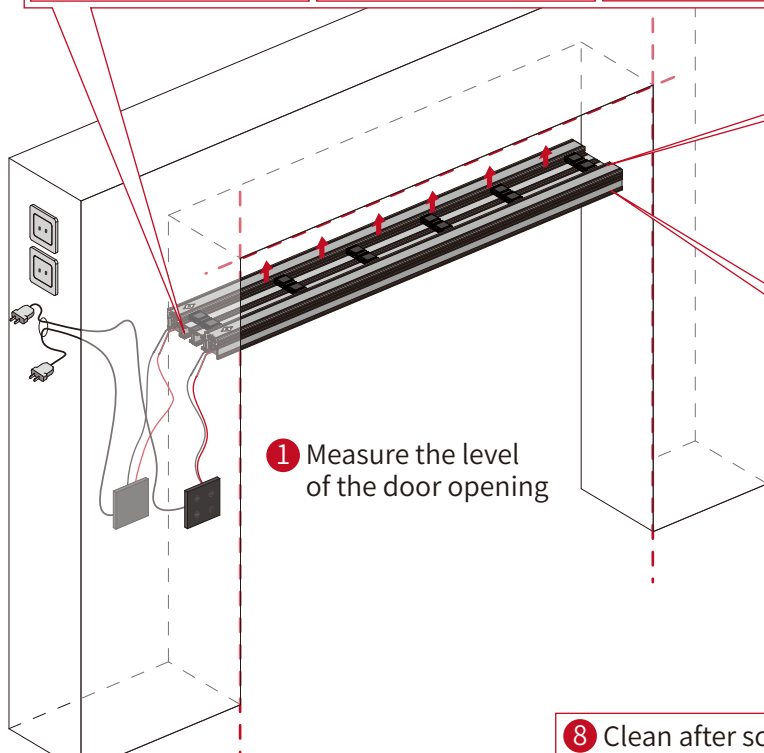


Level the edge of the track

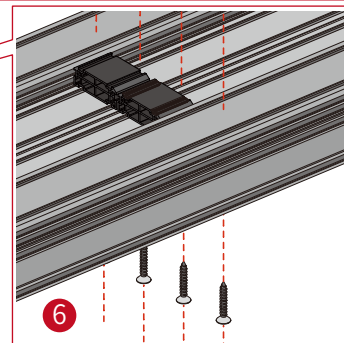
5 Fixing



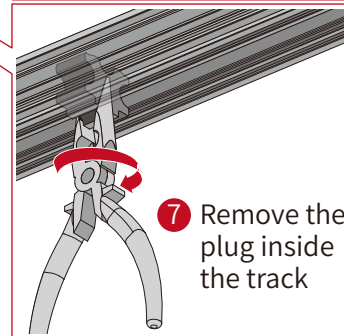
1 Measure the level of the door opening



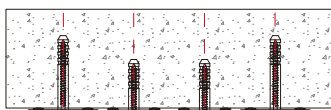
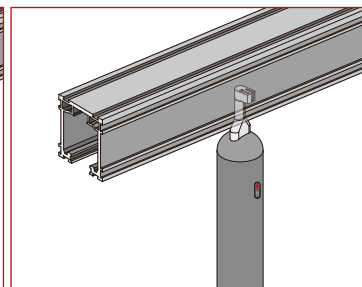
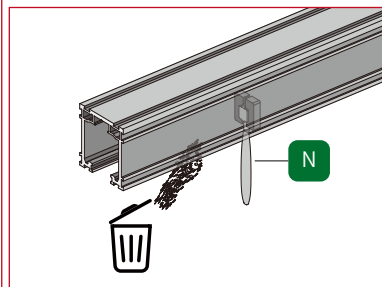
6



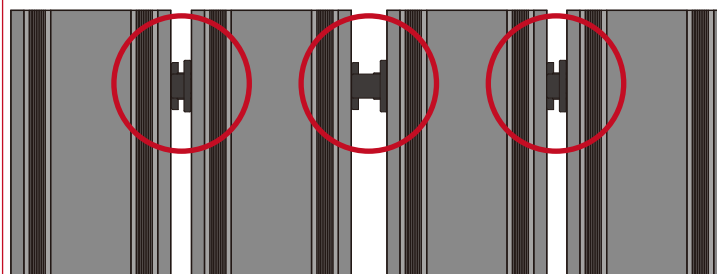
7 Remove the plug inside the track



8 Clean after screwing

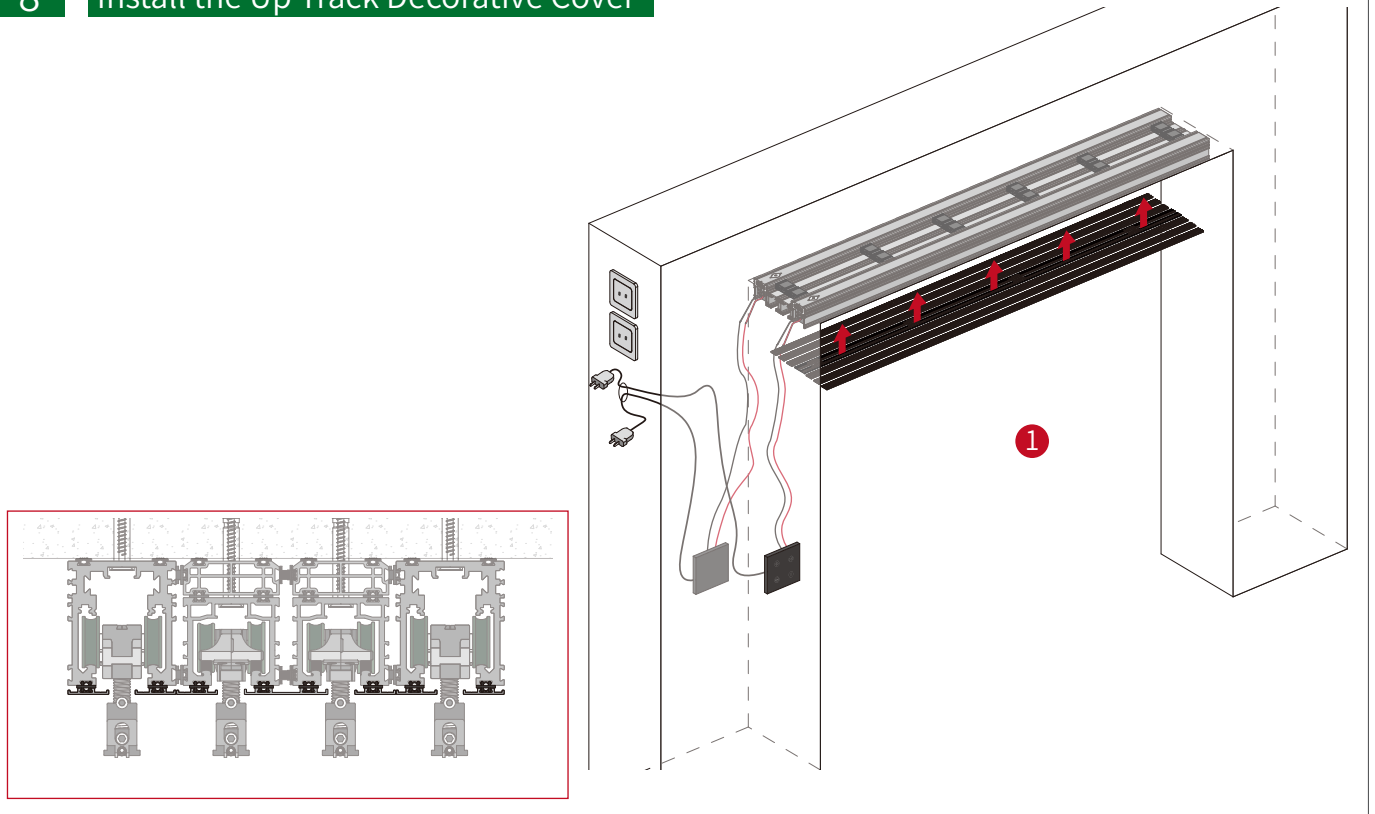


Top Track 1
Top Track 2
Top Track 3
Top Track 4

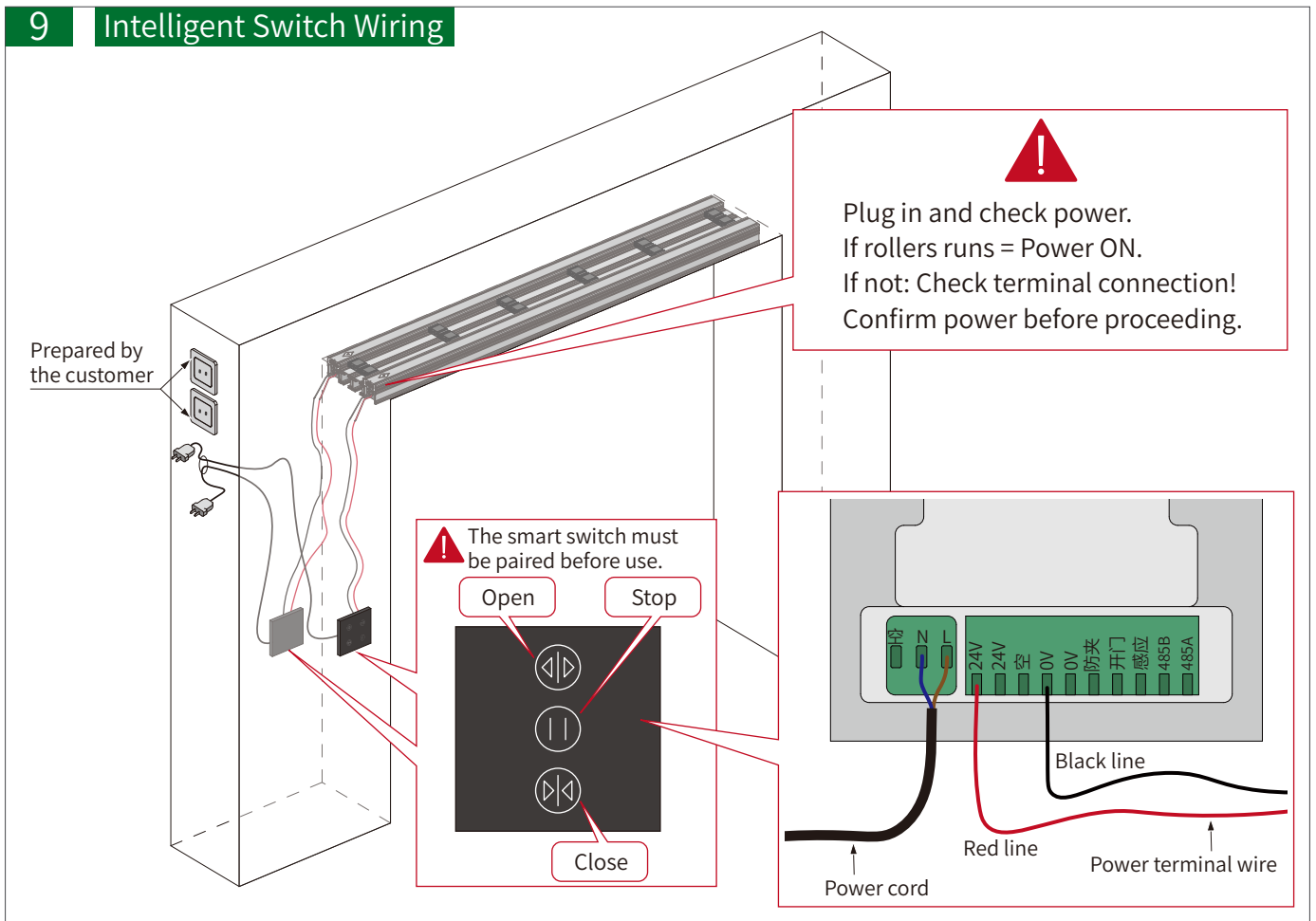


Must be tight!
No gap is allowed!

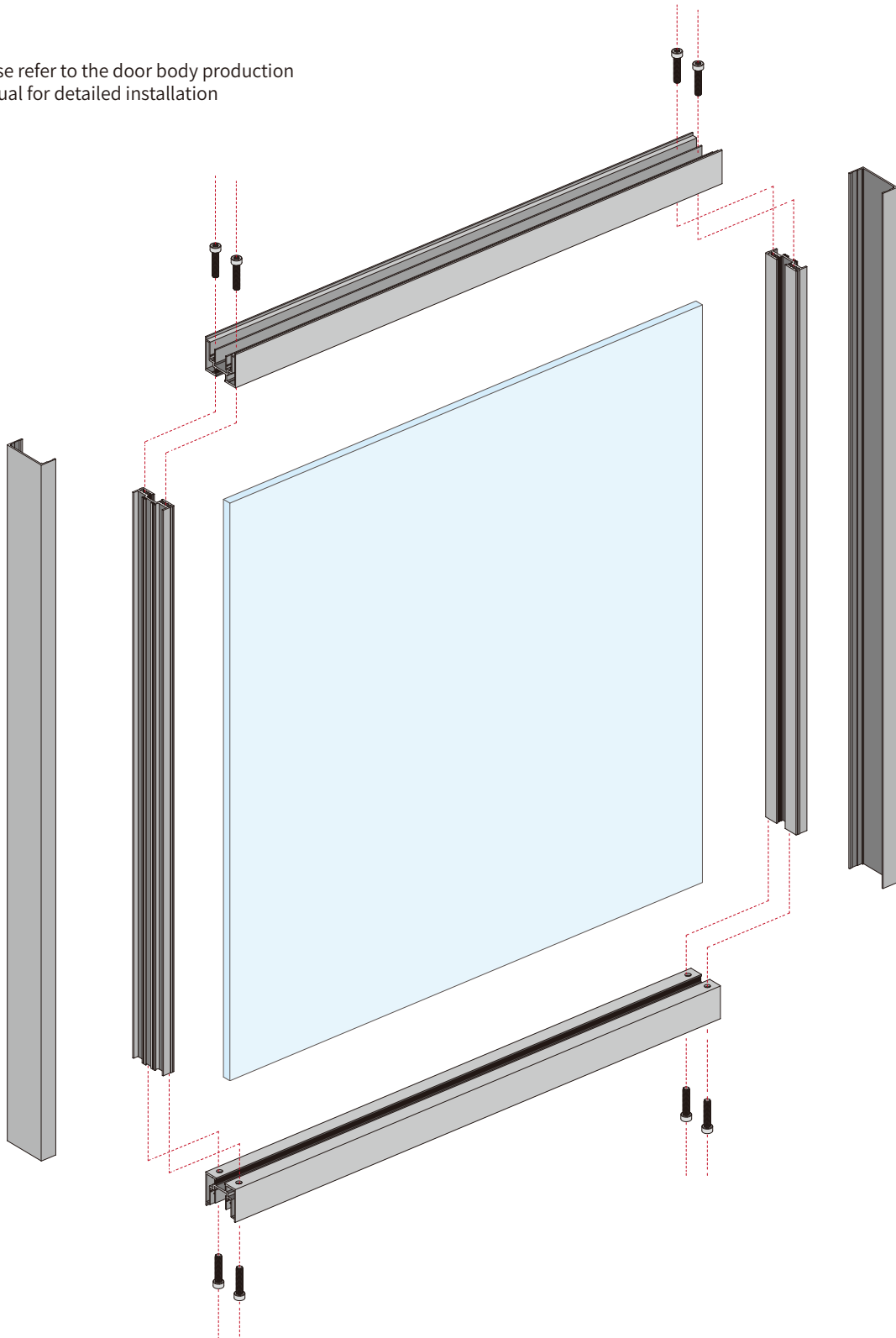
8 Install the Up Track Decorative Cover



9 Intelligent Switch Wiring

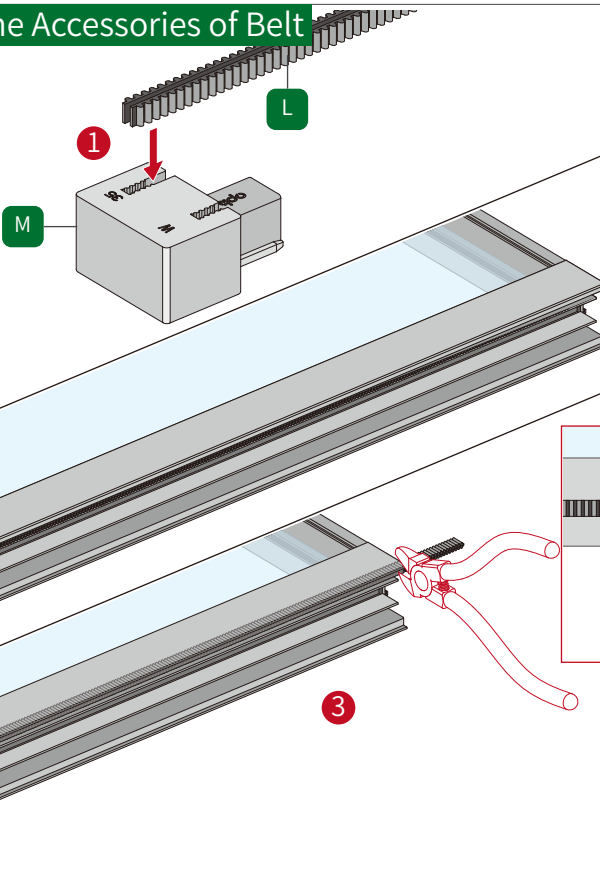
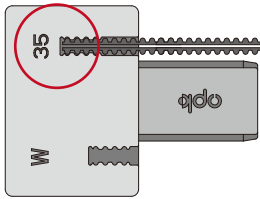


⚠ Please refer to the door body production manual for detailed installation

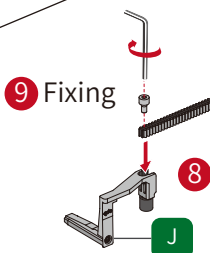
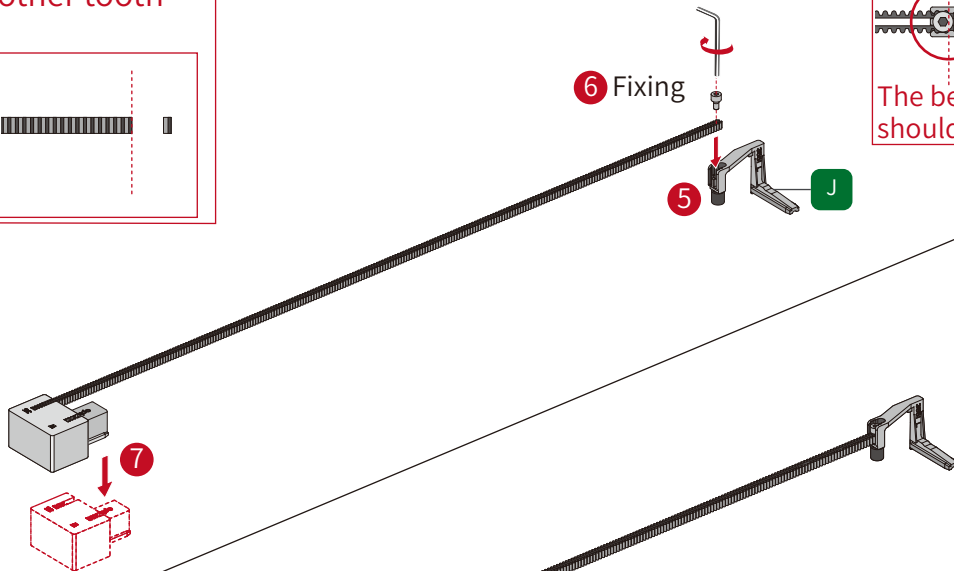
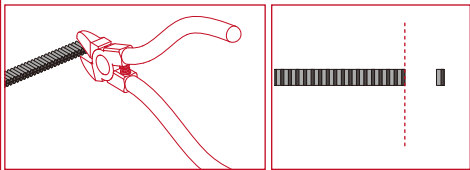


11 Cutting-belt Install the Accessories of Belt

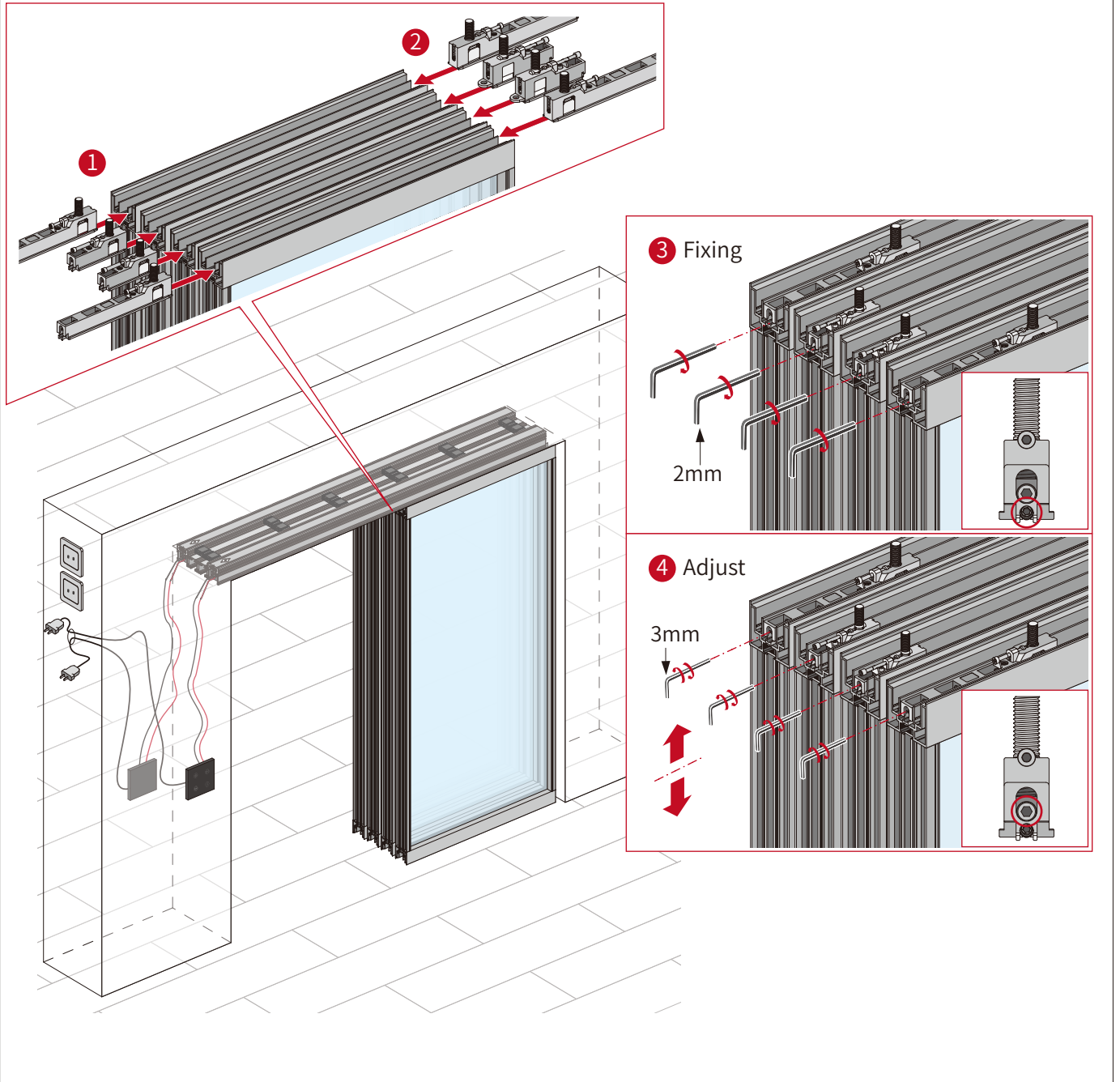
According to the thickness of the door, confirm the use of belt mold

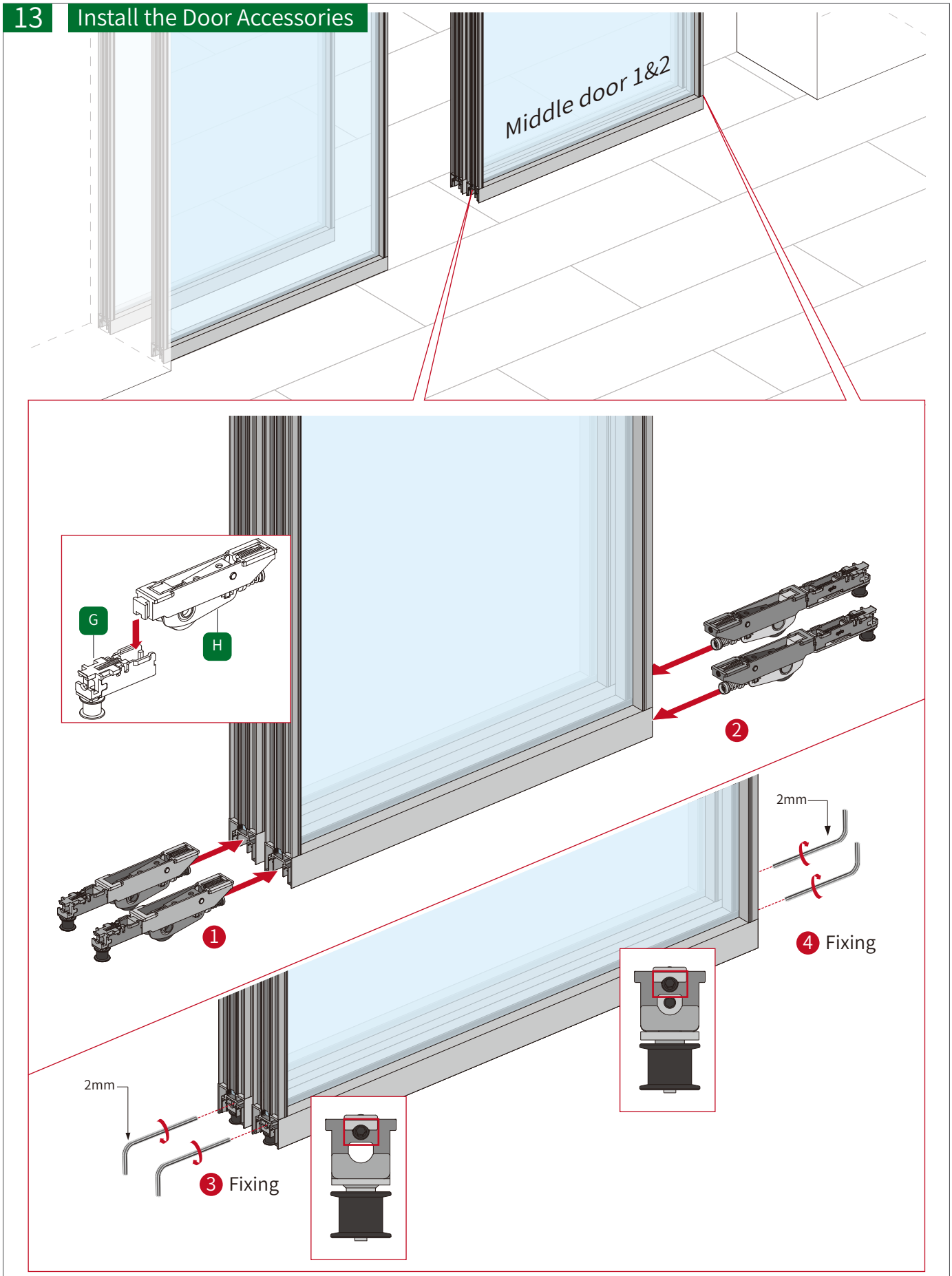


4 After cutting the door frame straight, cut another tooth

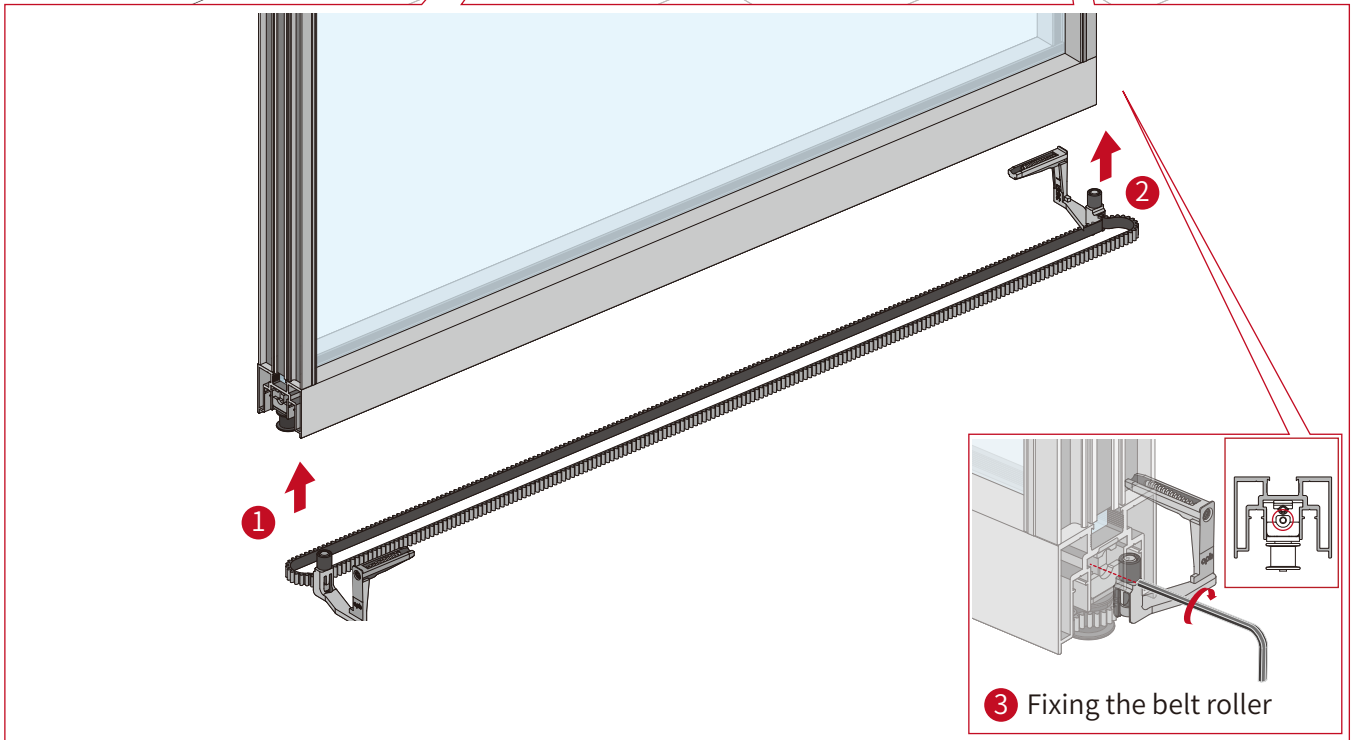
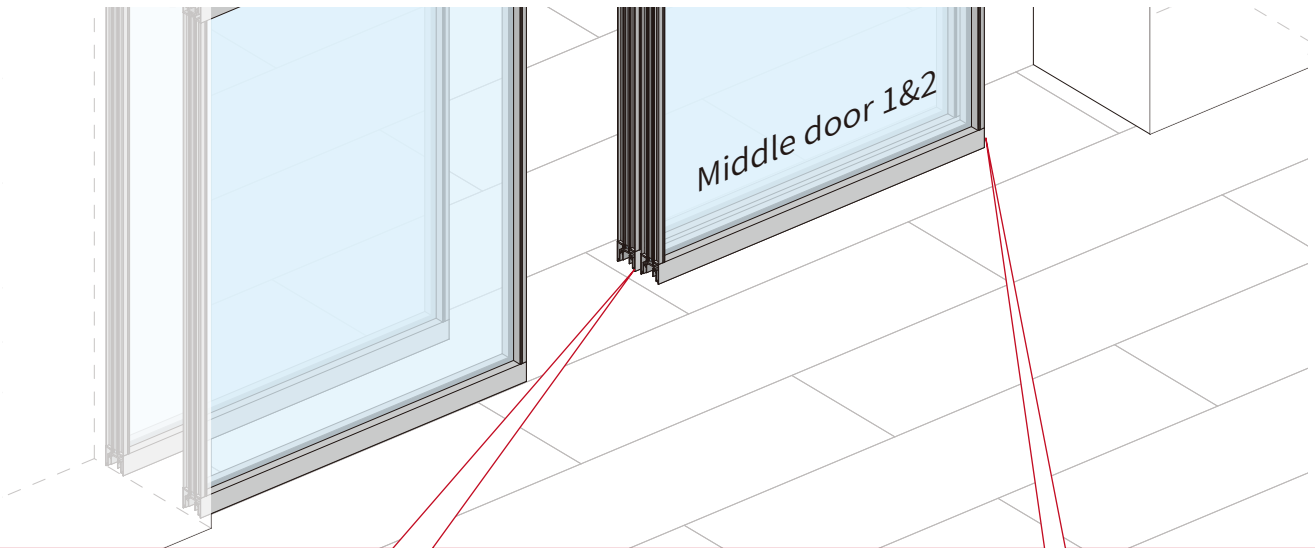


12 Install the Door

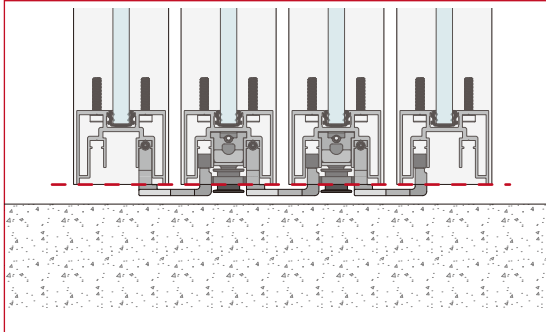


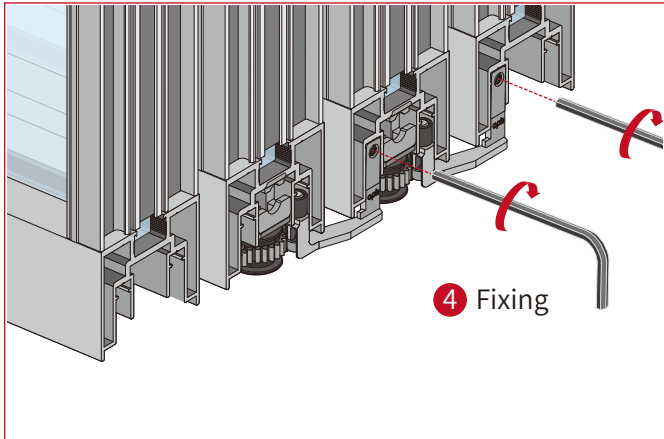
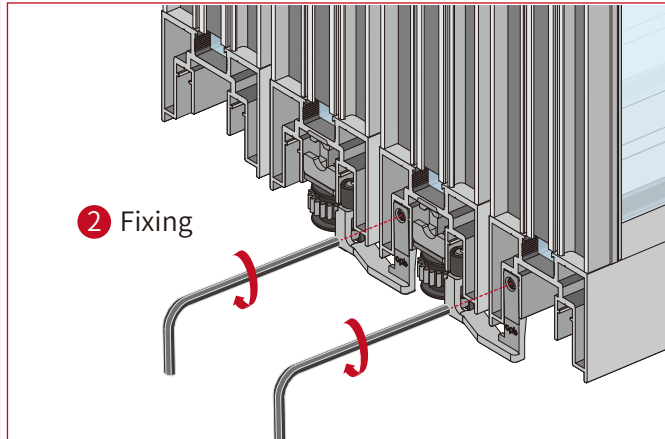
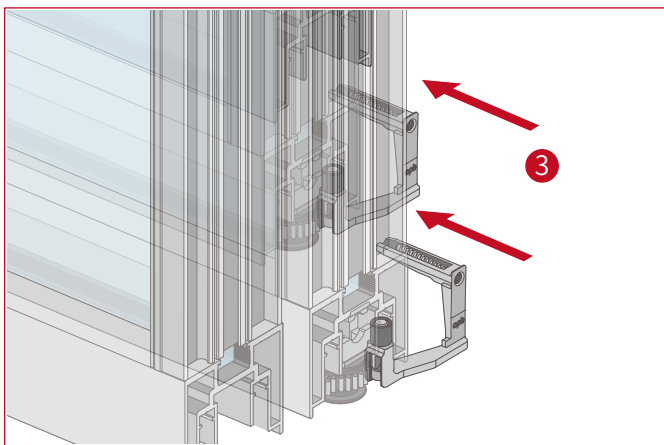
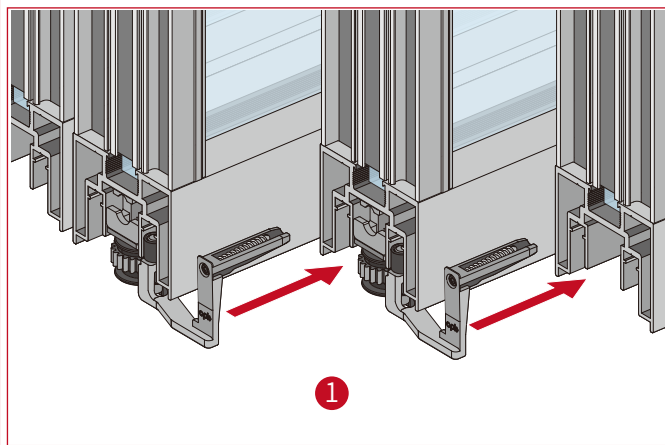
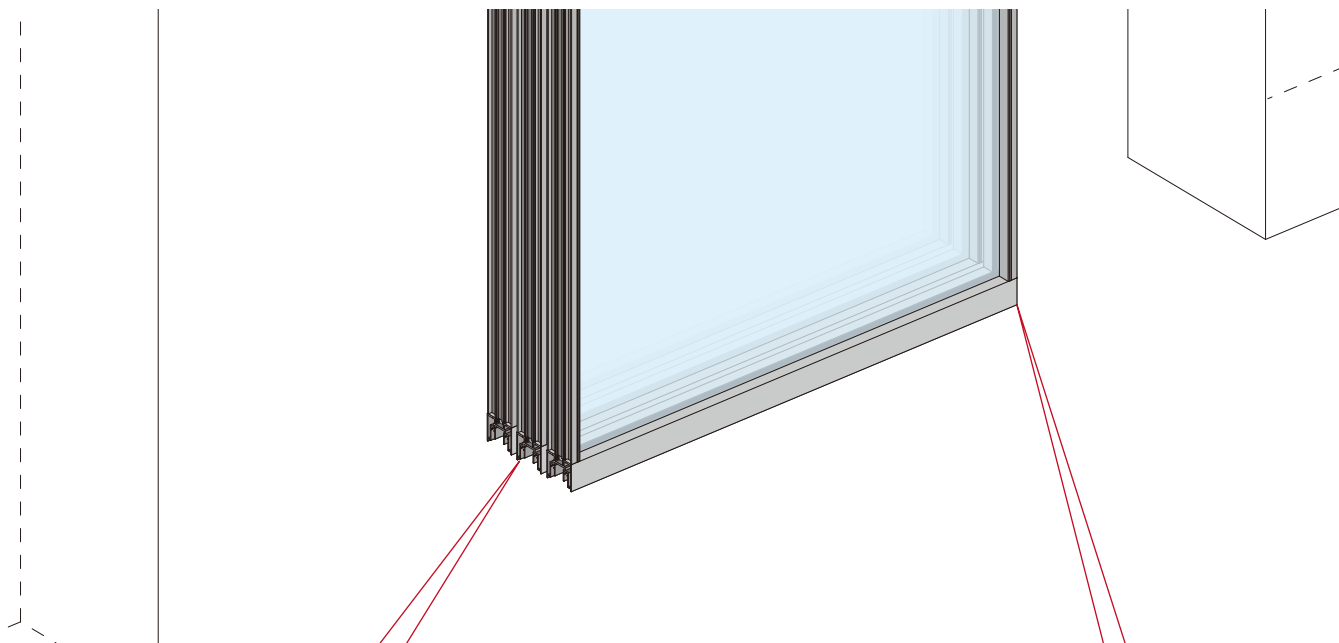


14 Install the Belt

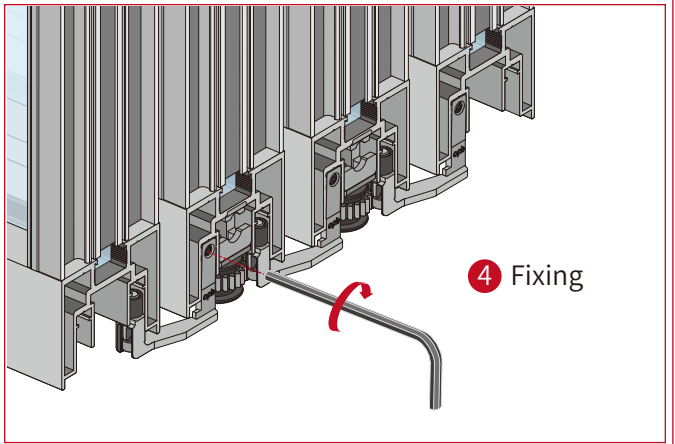
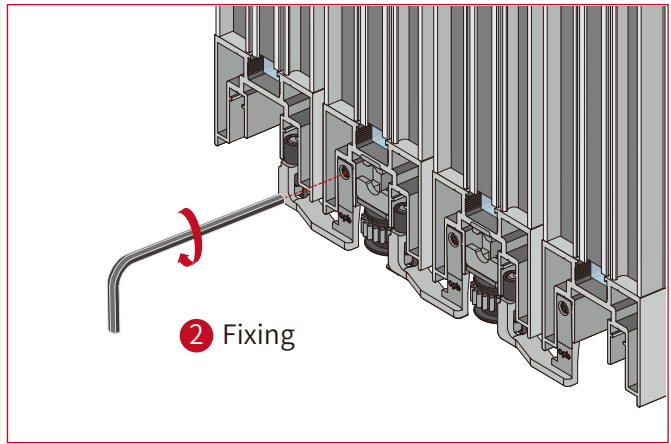
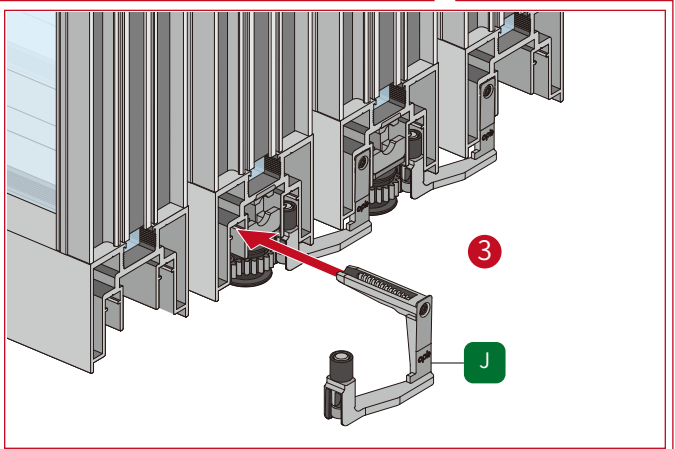
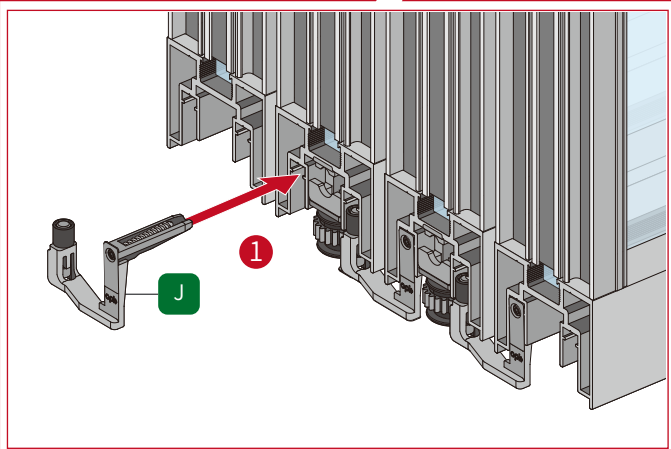
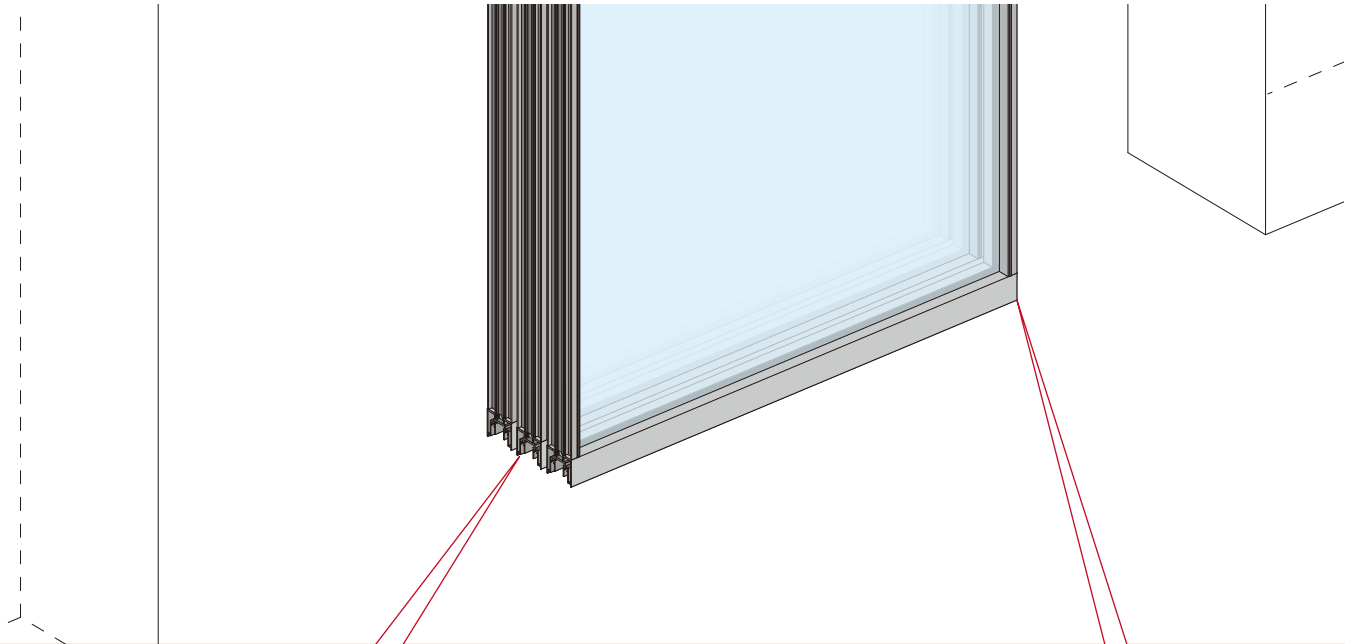


*Must be flush.

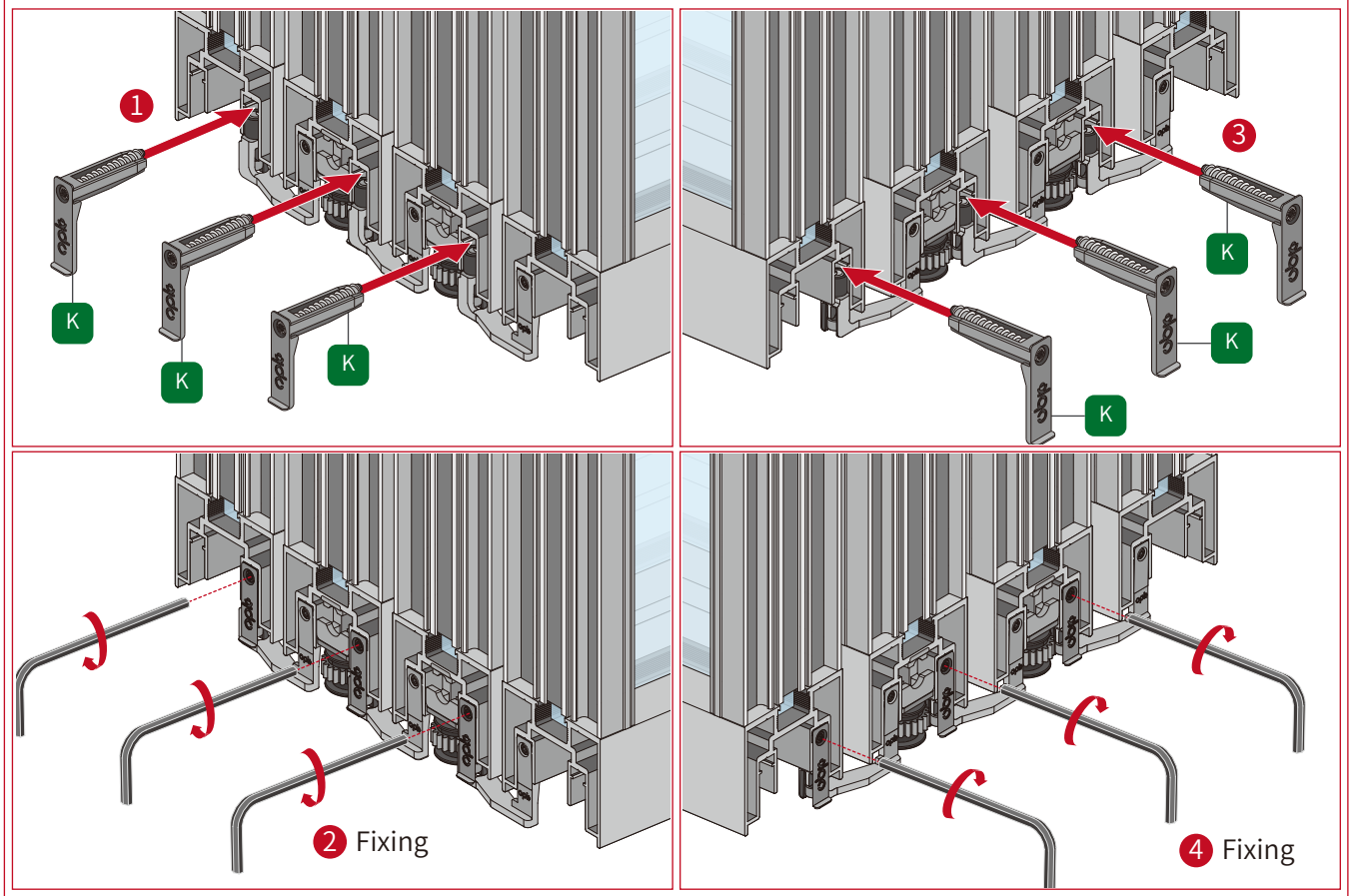
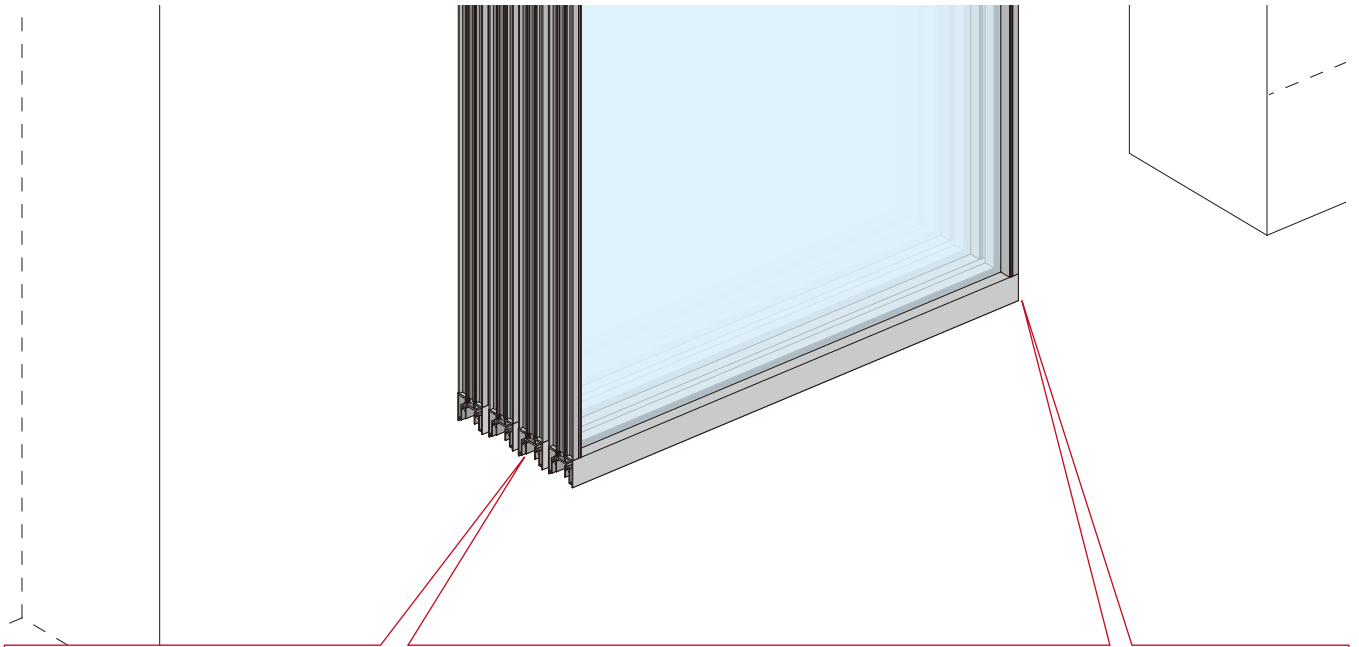




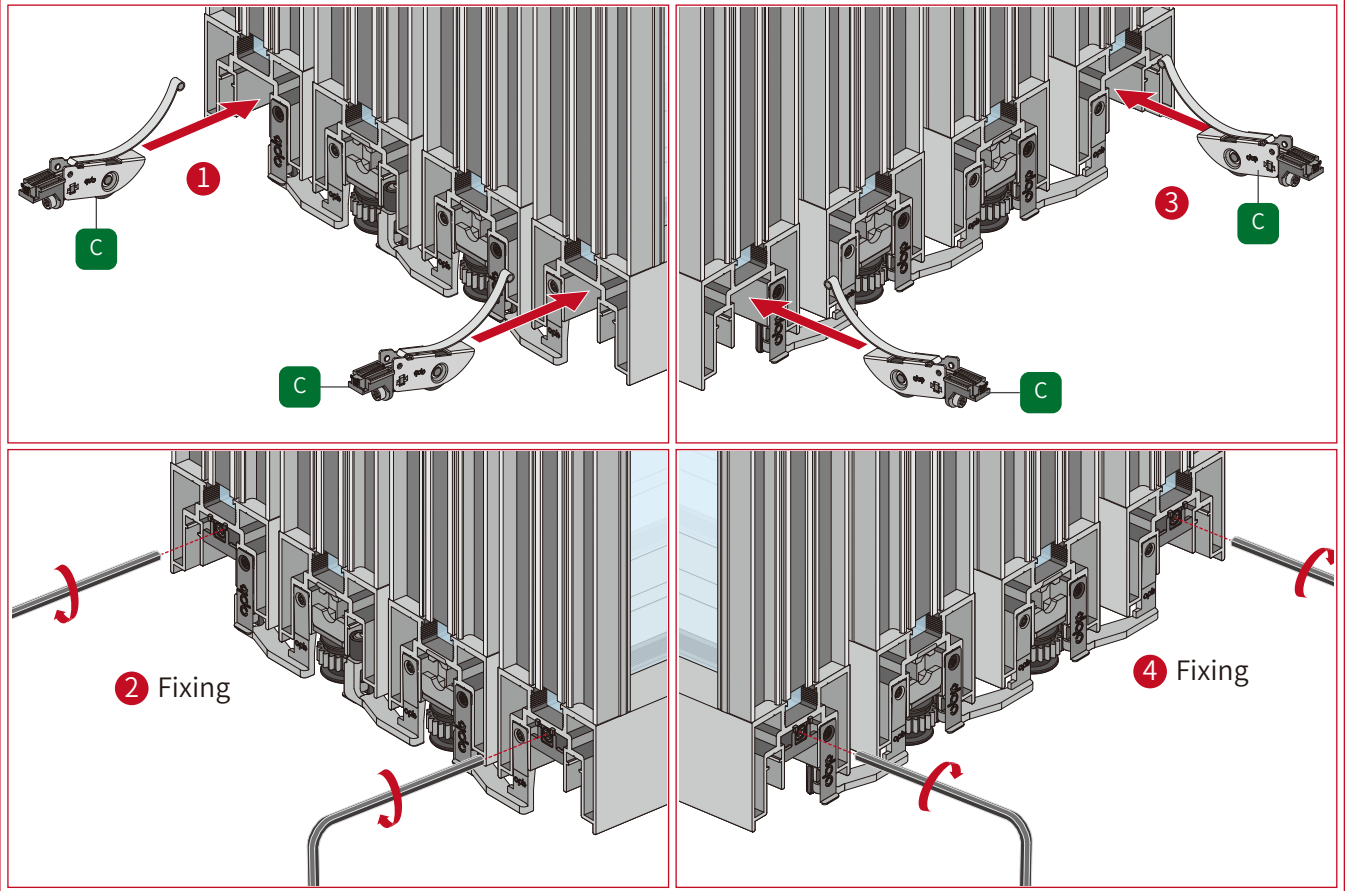
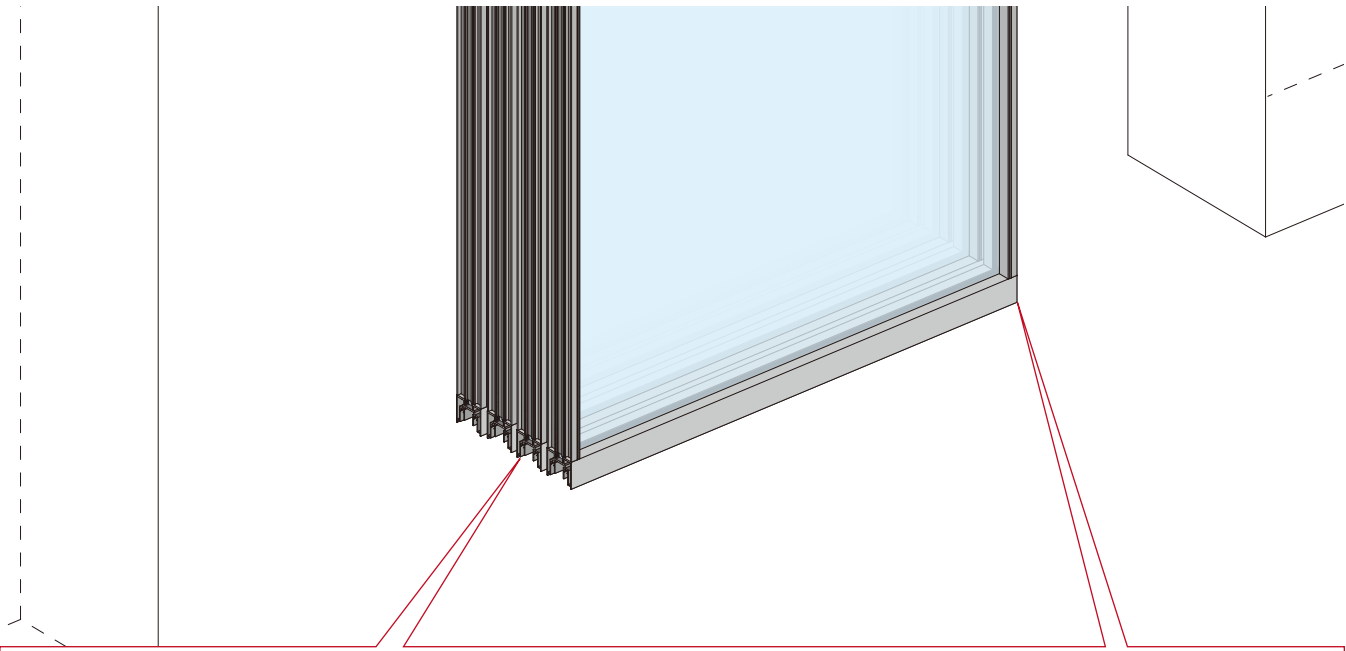
16 Install the Guiding Roller



17 Install the Anti-pushing or Anti-pulling Fittings

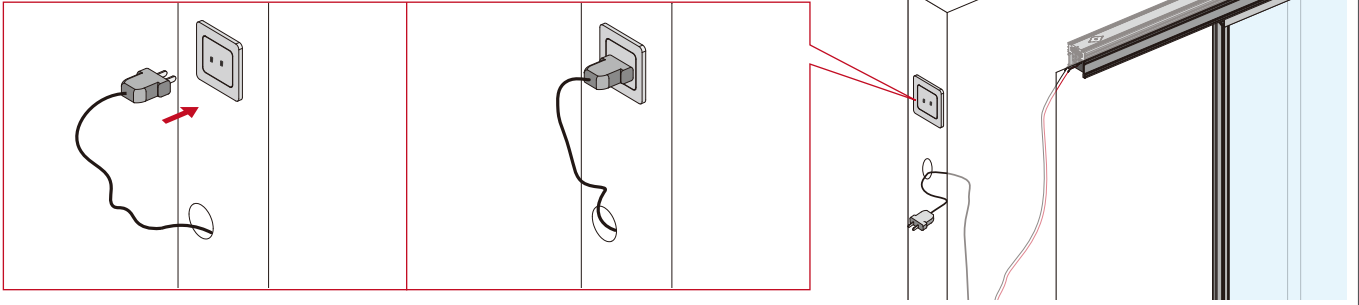


18 Install Anti-swing Rollers



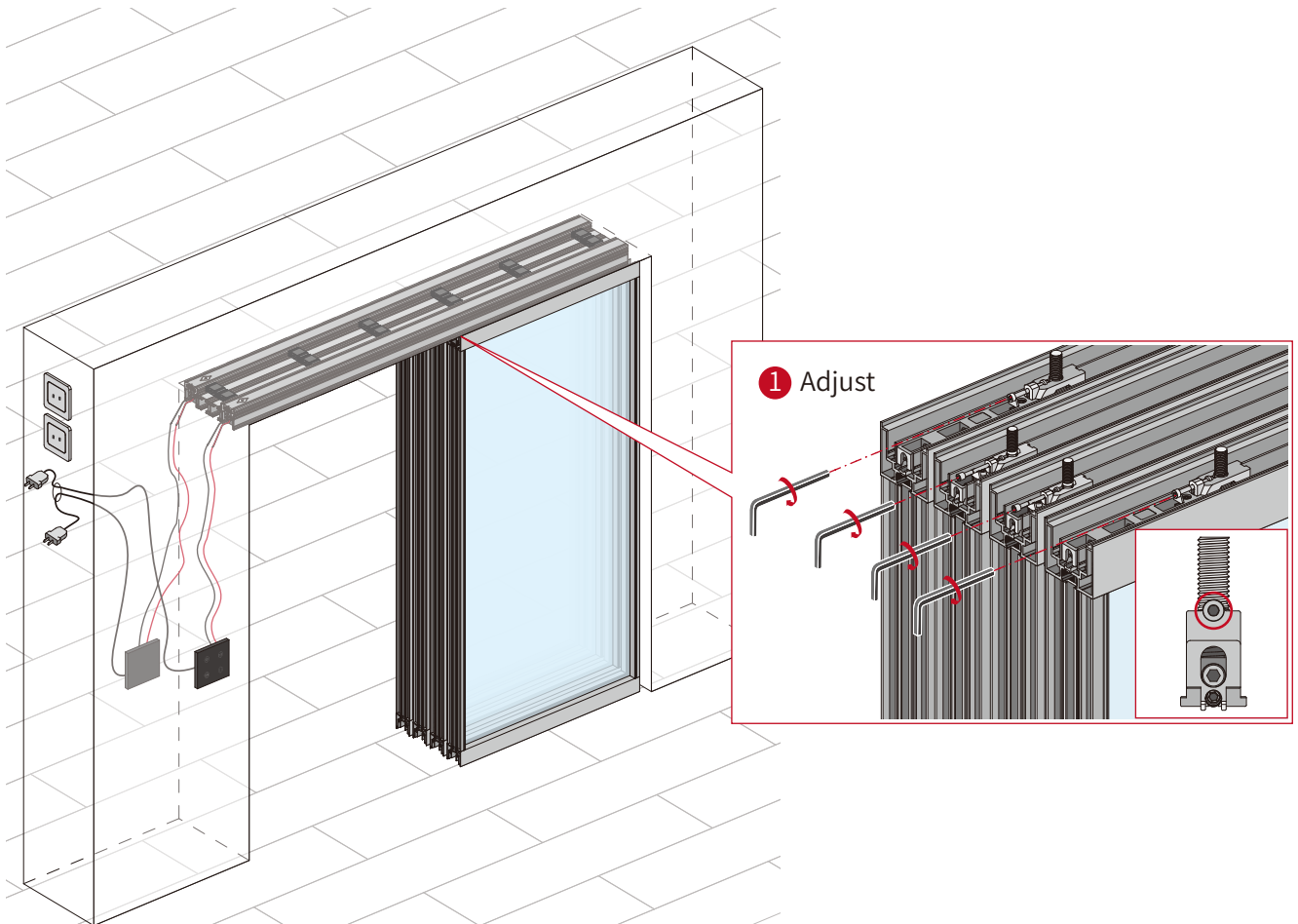
19 Power-on Learning

⚠ After the door stops after powering on, it must be connected to the APP and click the learning button on the APP to learn once.

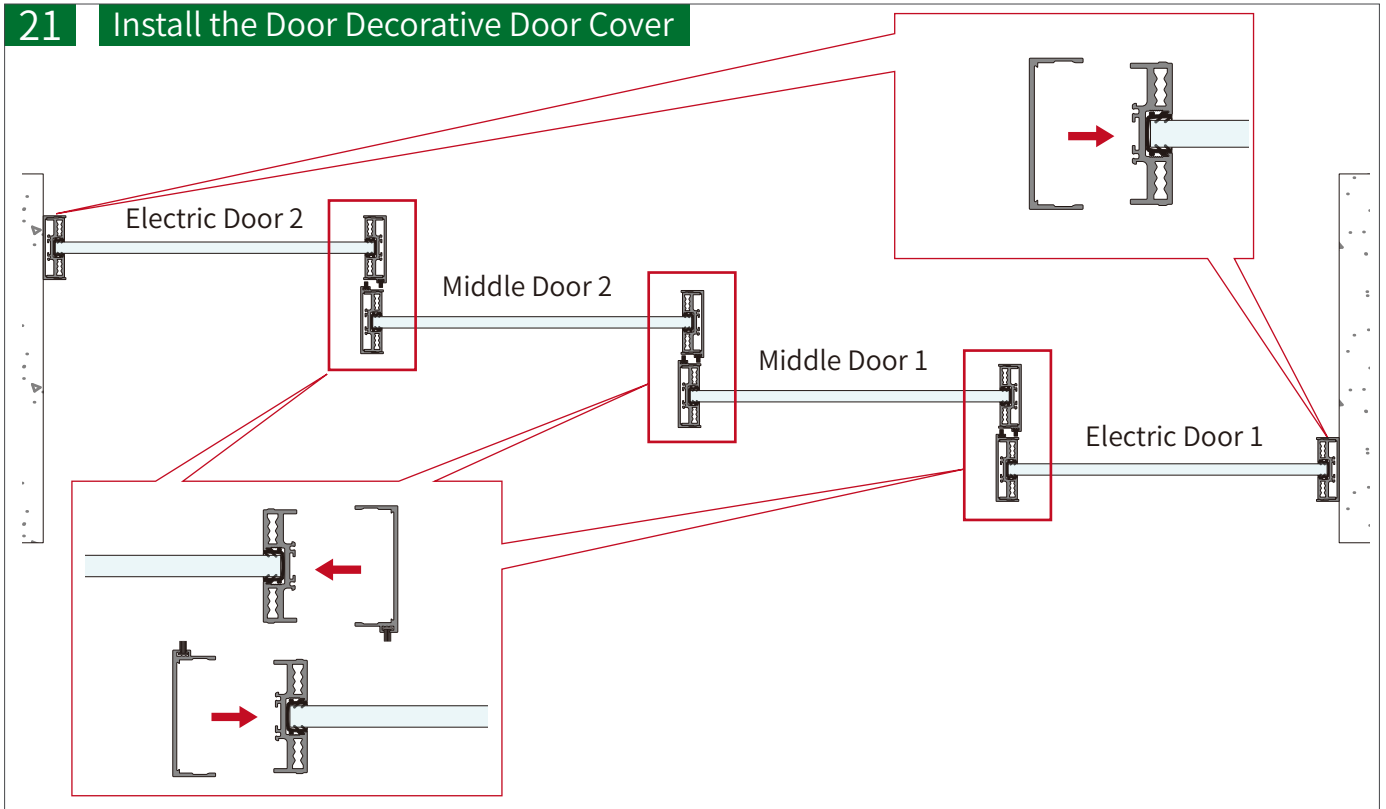


20 Adjust the Door

⚠ The door may jump violently due to a over-light door
Tighten the bolt can effectively ease the door jumping.



21 Install the Door Decorative Door Cover



22 Install the Cover of Track

