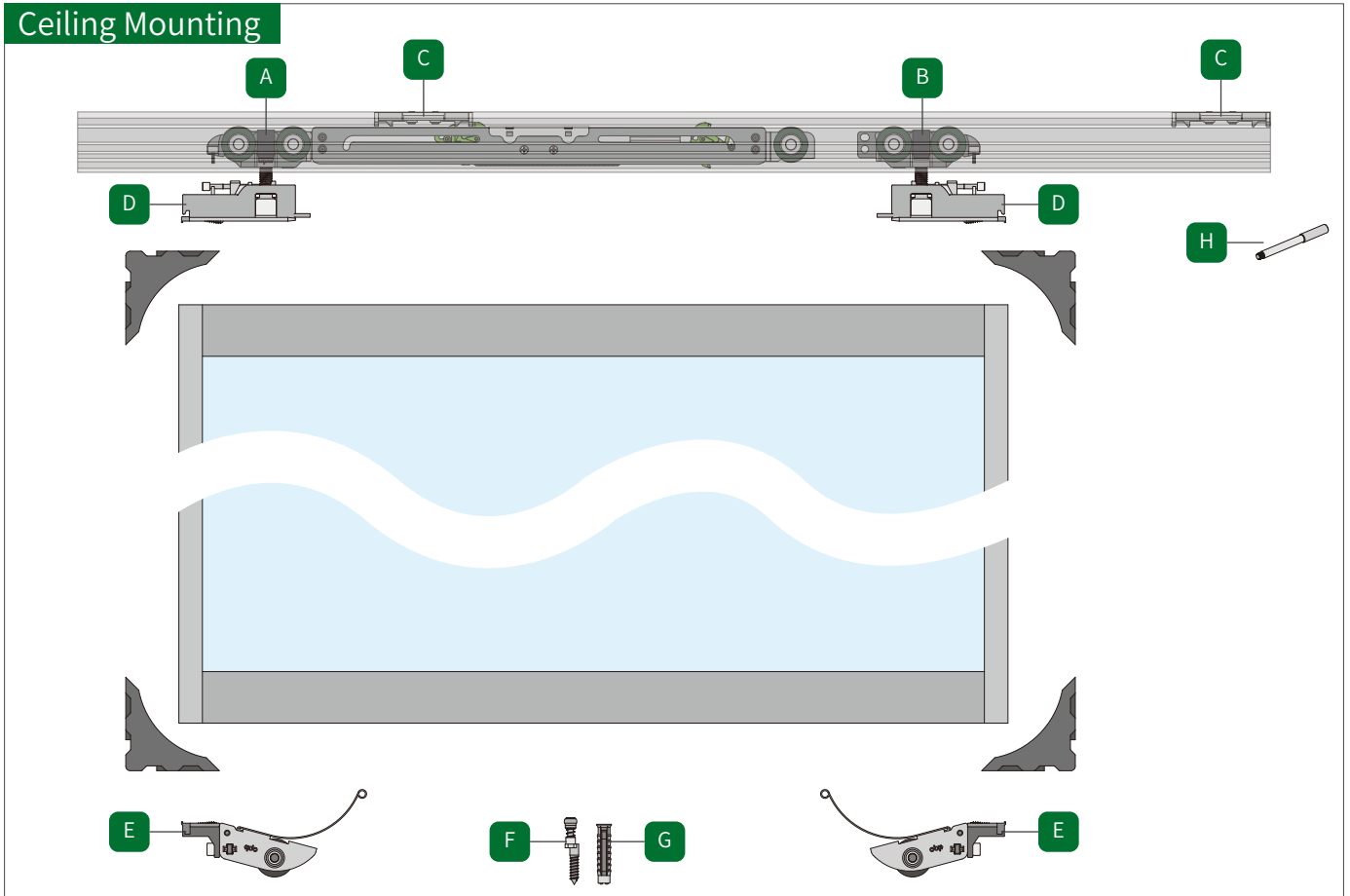
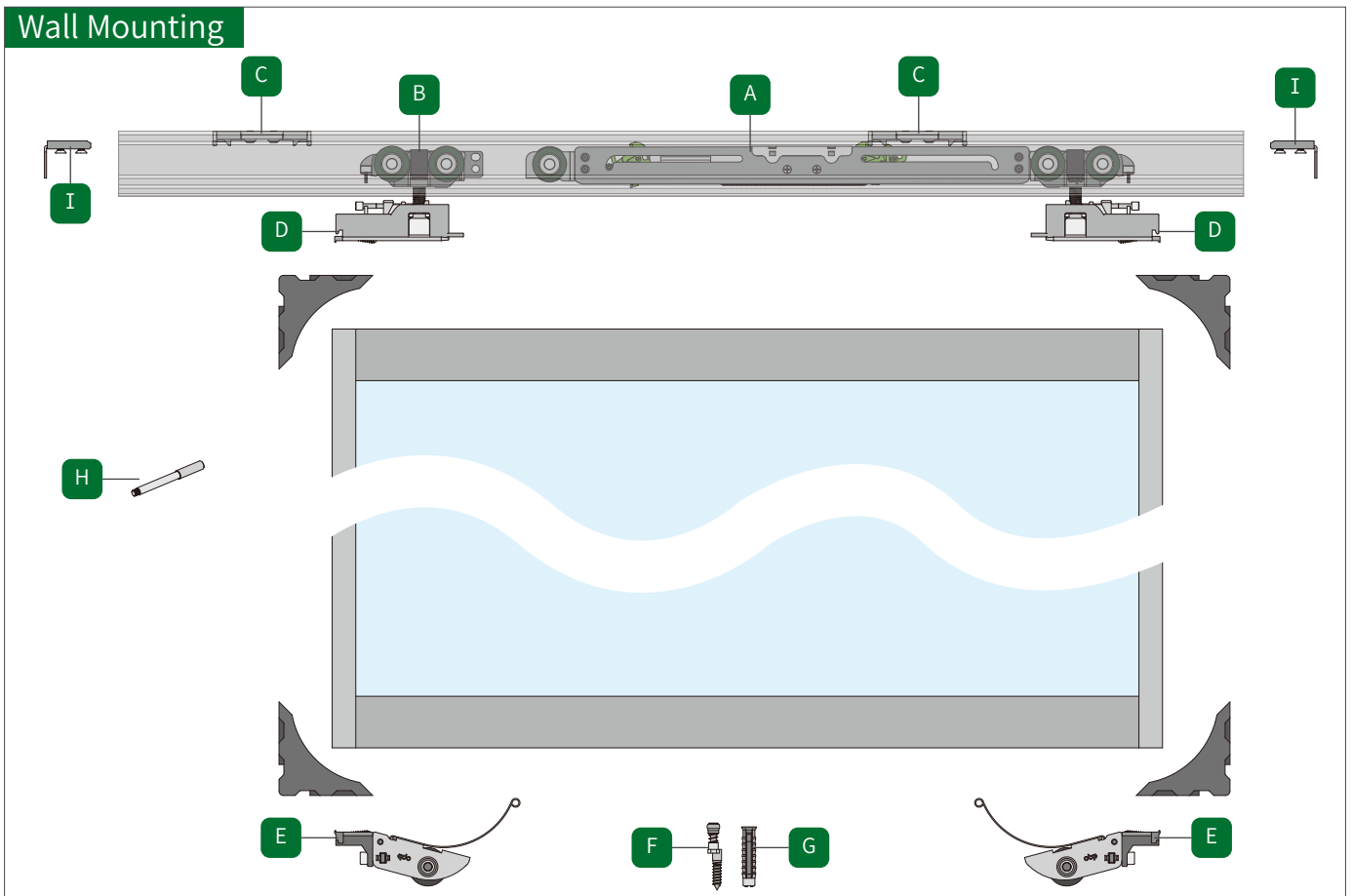


# Perfect Slim System Single Door Ceiling/Wall Mounting Instruction

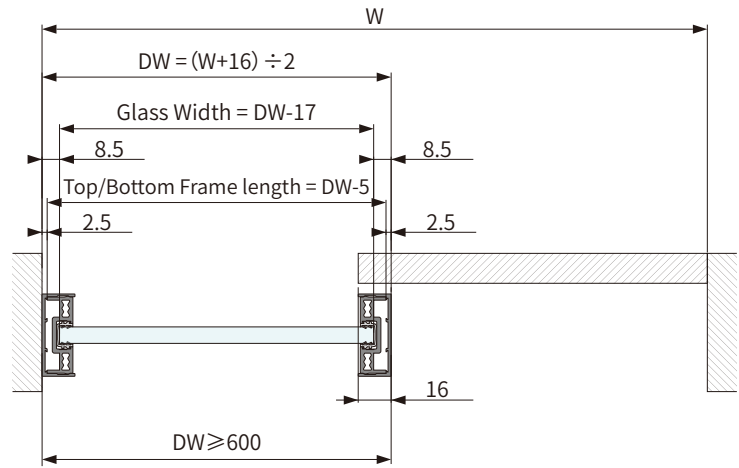
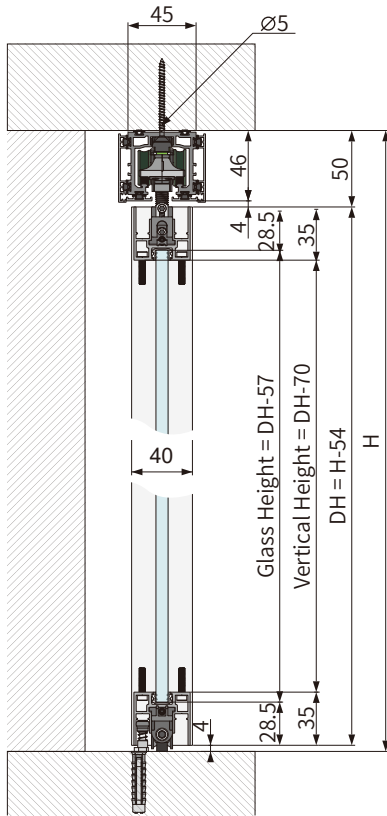
## Ceiling Mounting



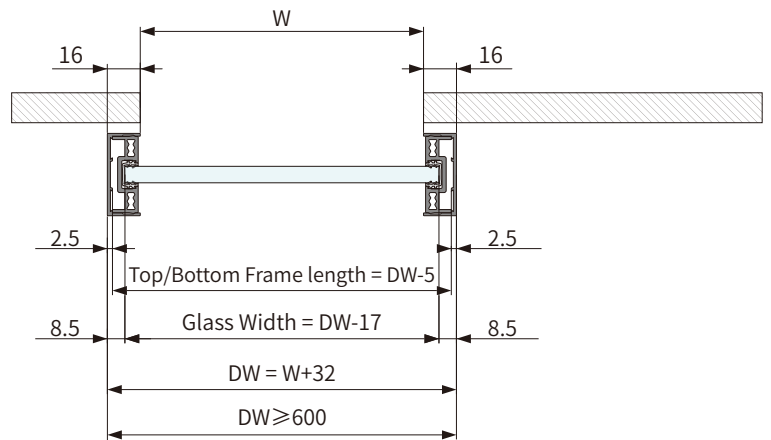
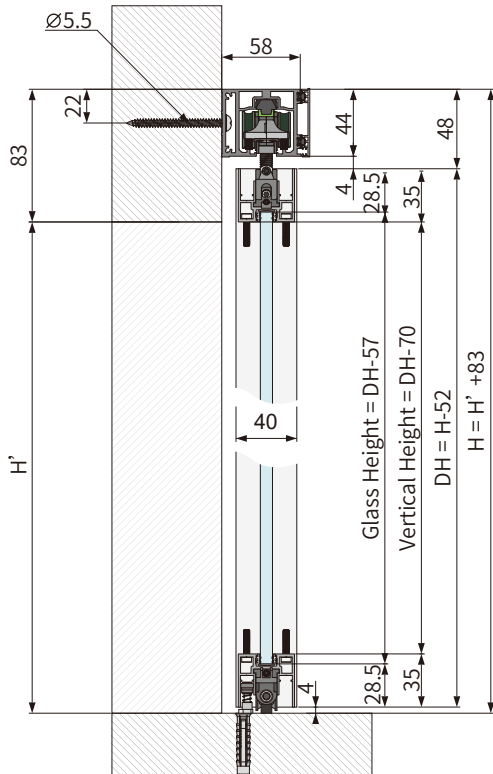
## Wall Mounting



## Ceiling Mounting

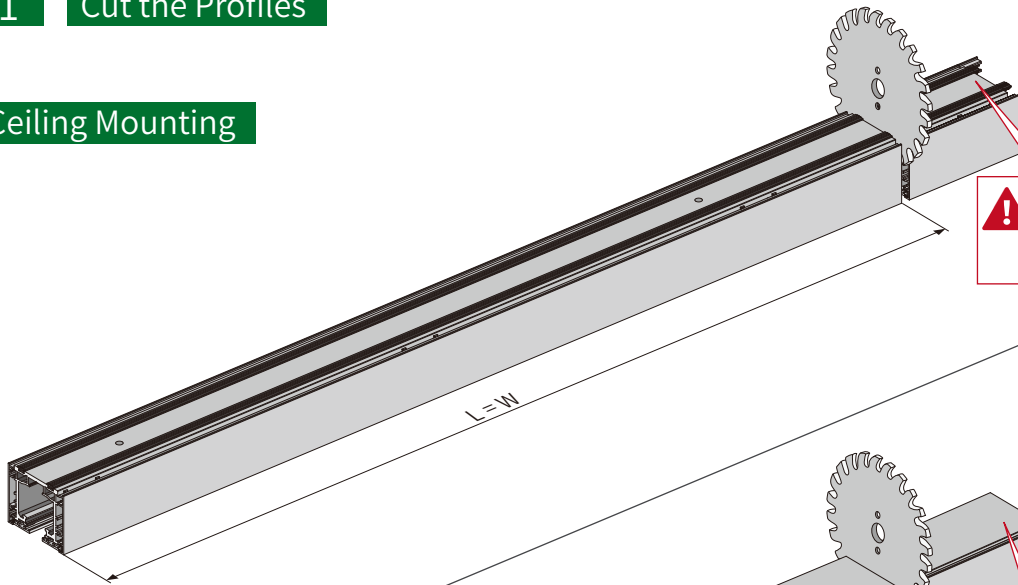


## Wall Mounting

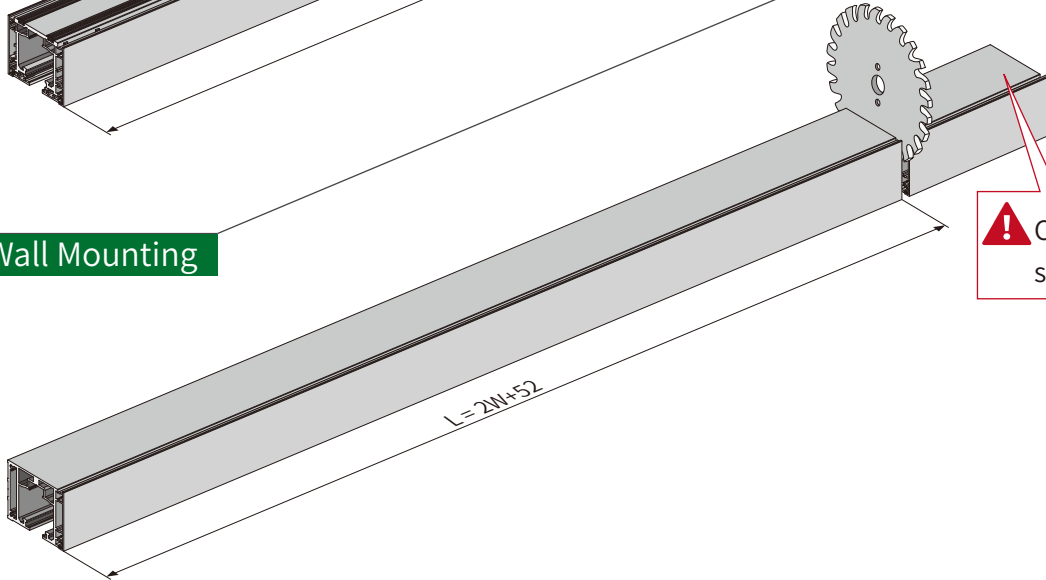


# 1 Cut the Profiles

## Ceiling Mounting

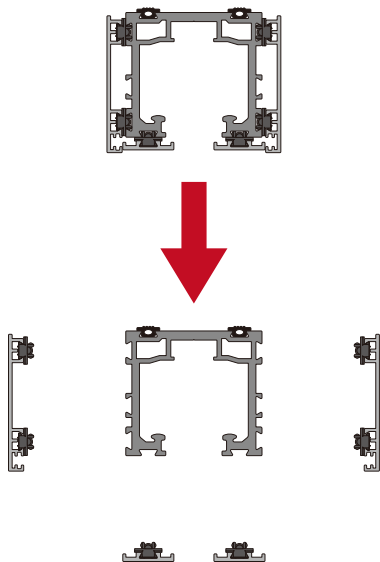


## Wall Mounting

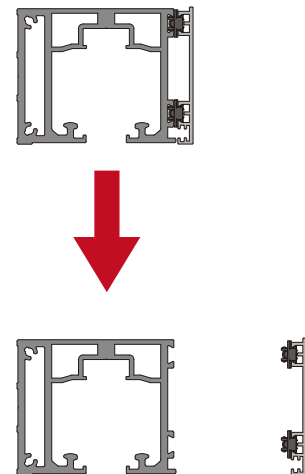


# 2 Disassemble the Profiles

## Ceiling Mounting

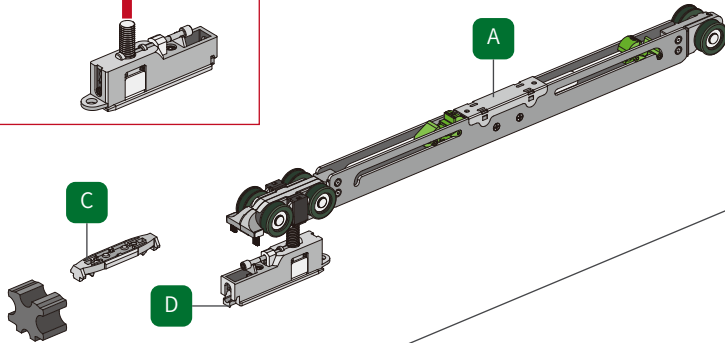
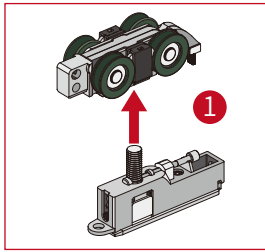


## Wall Mounting

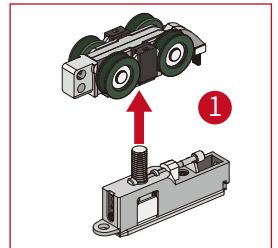
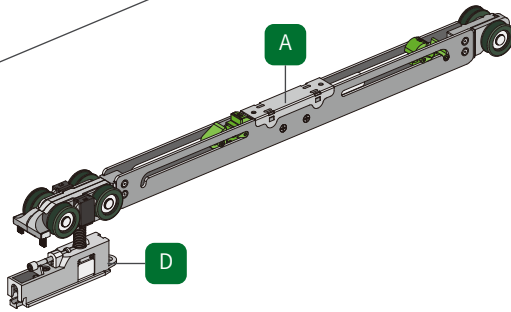
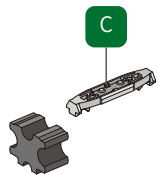


### 3 Install Rollers and Activators

#### Ceiling Mounting

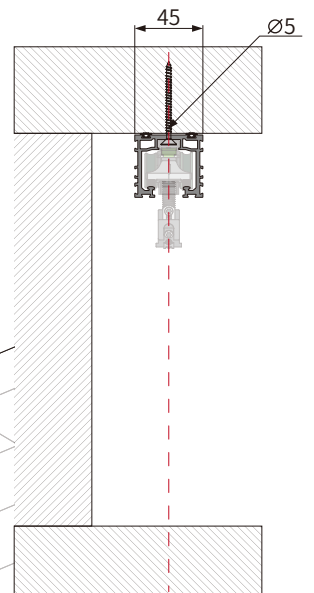
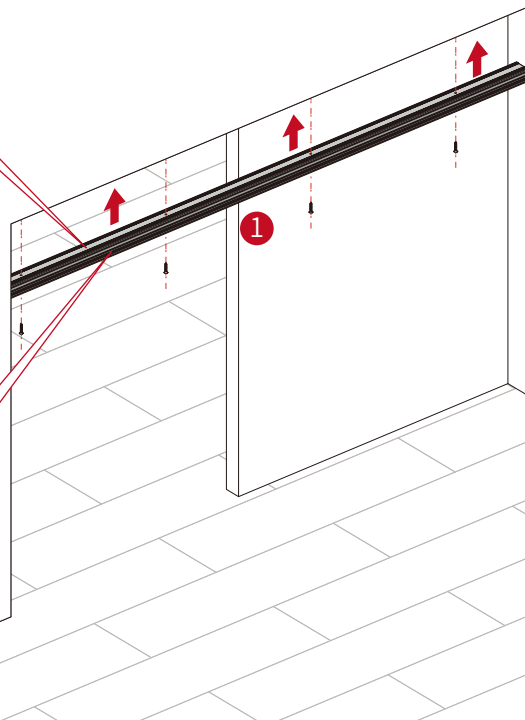
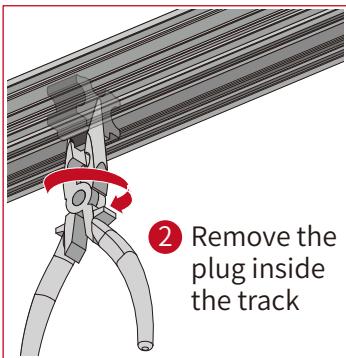
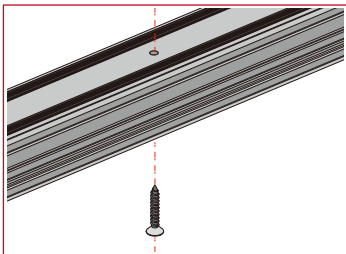


#### Wall Mounting



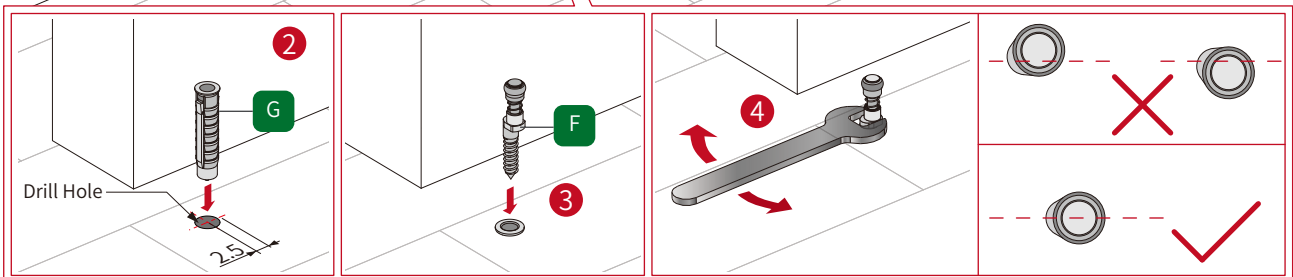
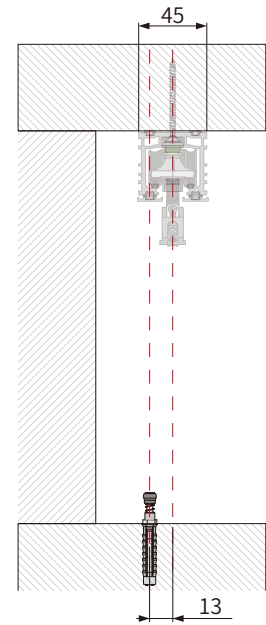
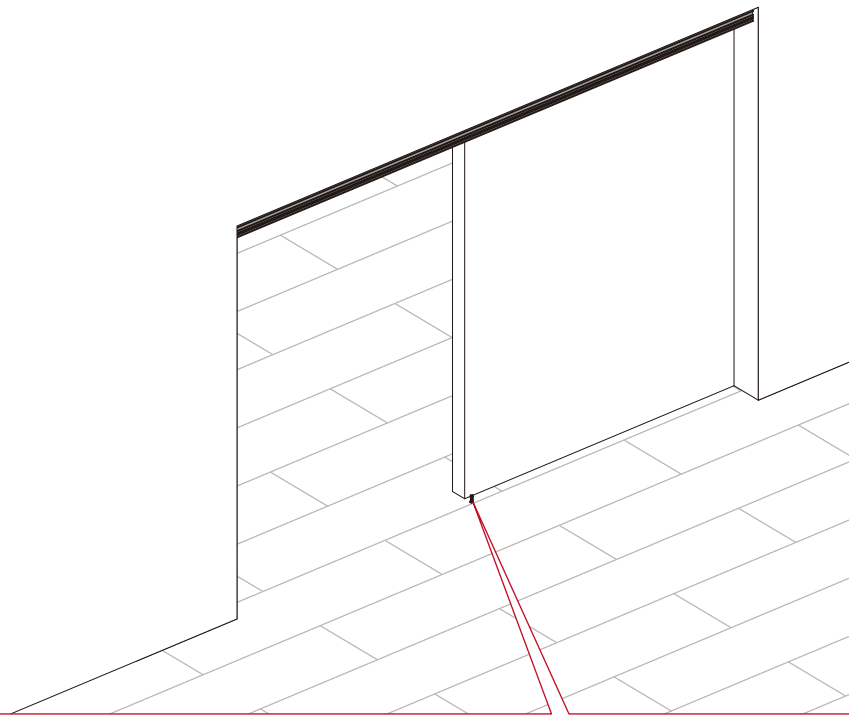
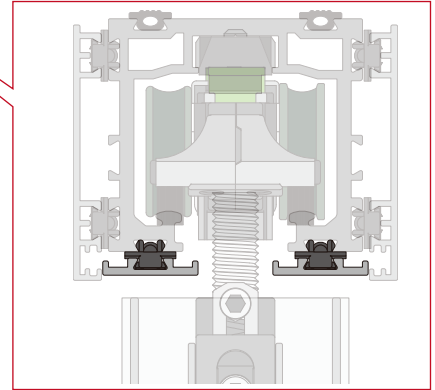
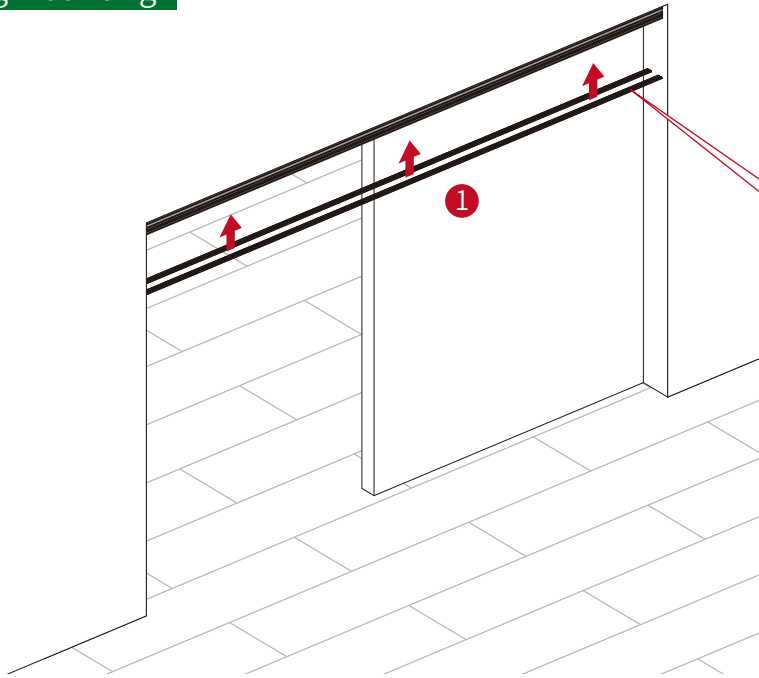
### 4-1 Install Running Track and Guiding Part

#### Ceiling Mounting



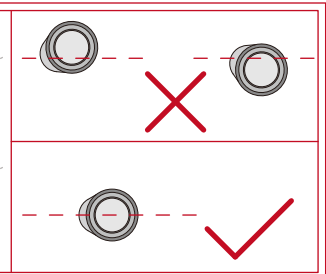
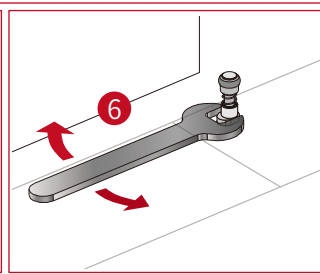
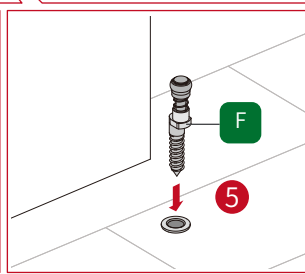
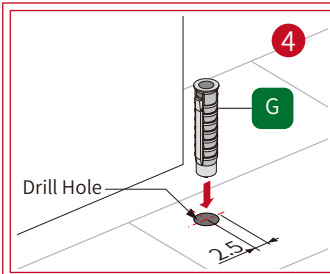
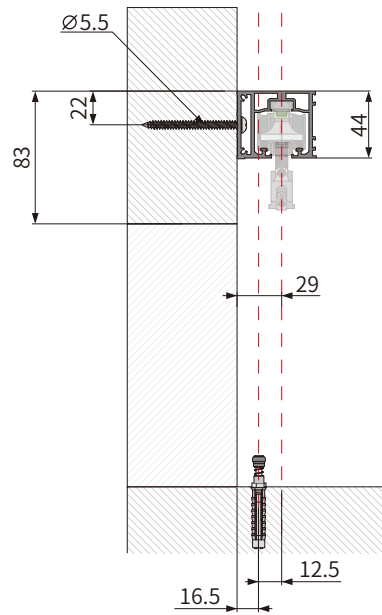
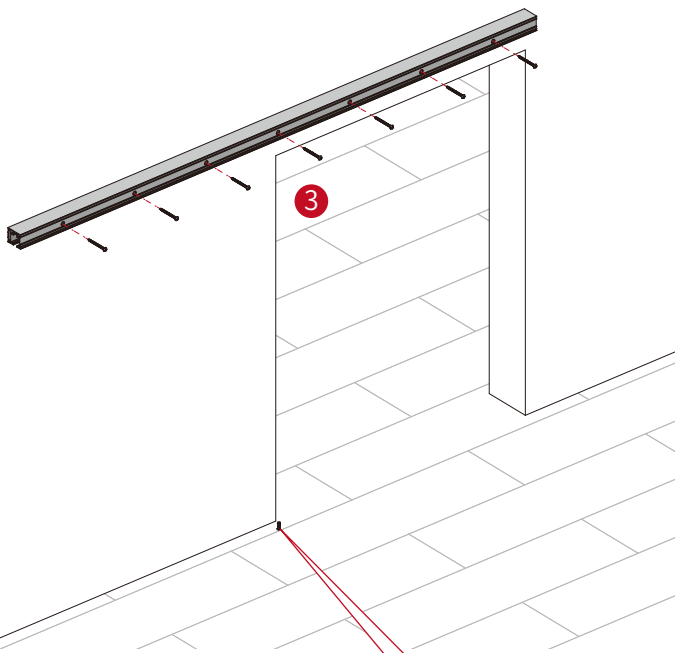
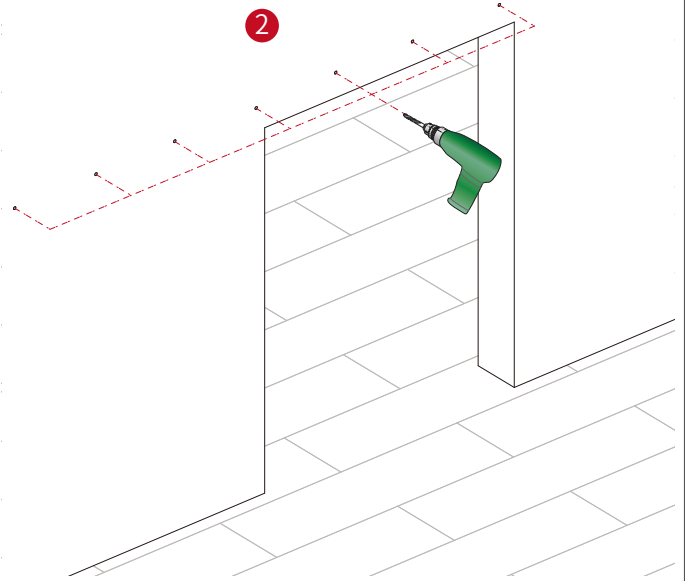
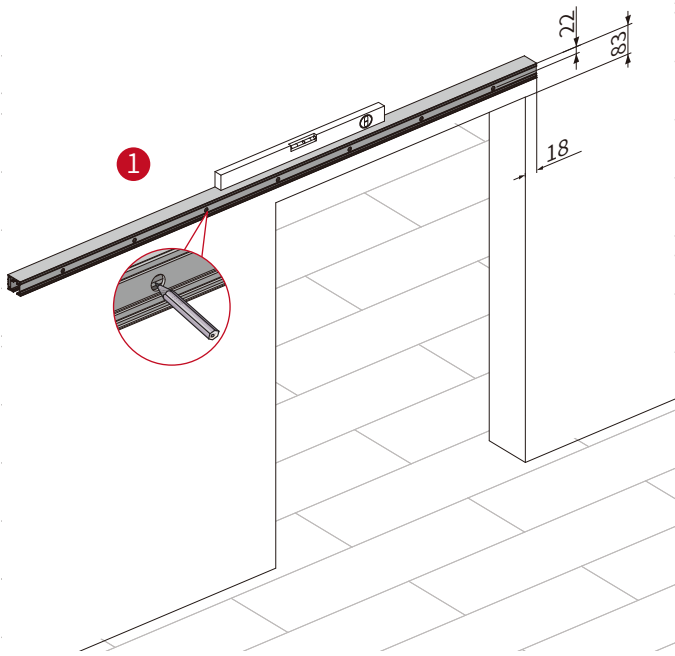
## 4-2 Install Running Track and Guiding Part

### Ceiling Mounting

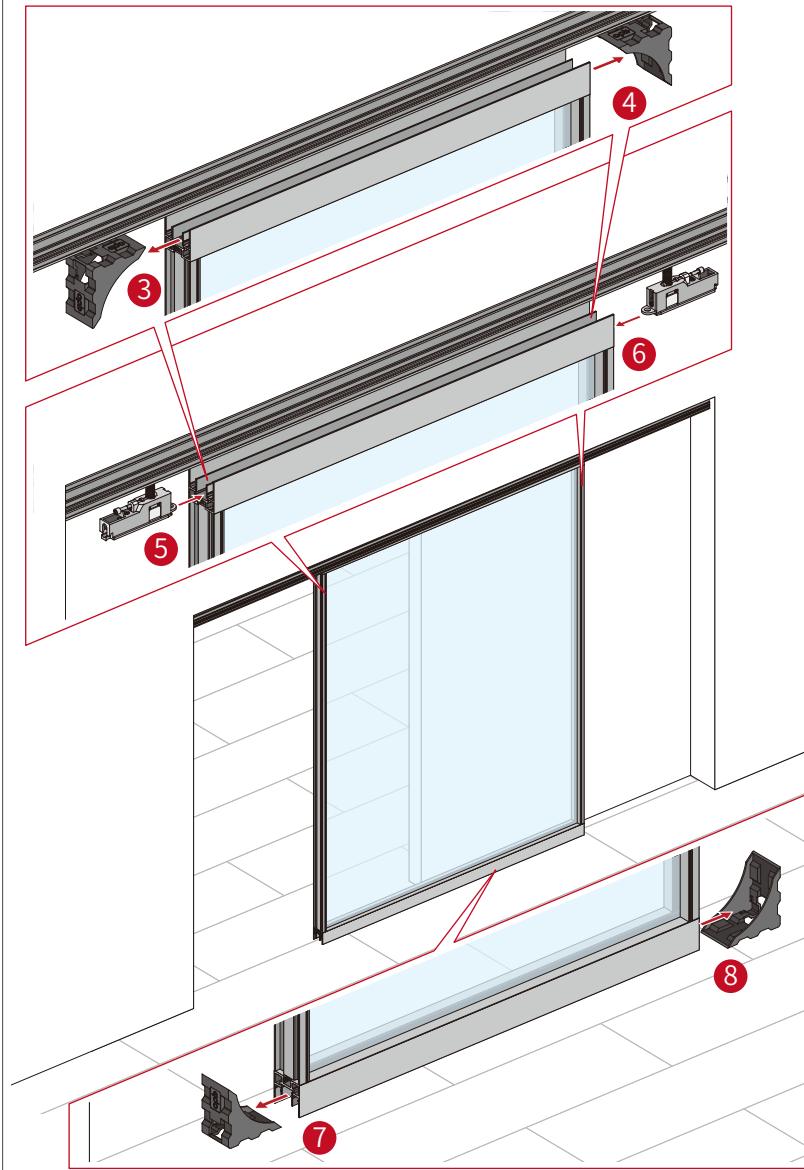
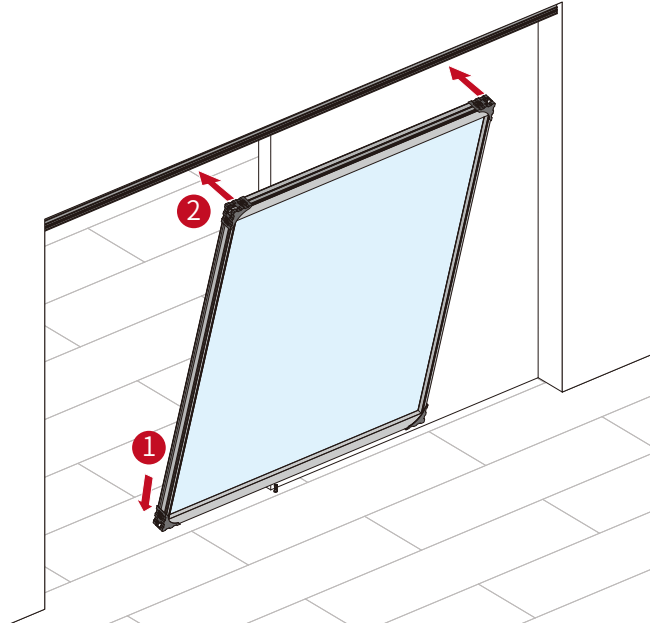


# 4-3 Install Running Track and Guiding Part


## Wall Mounting



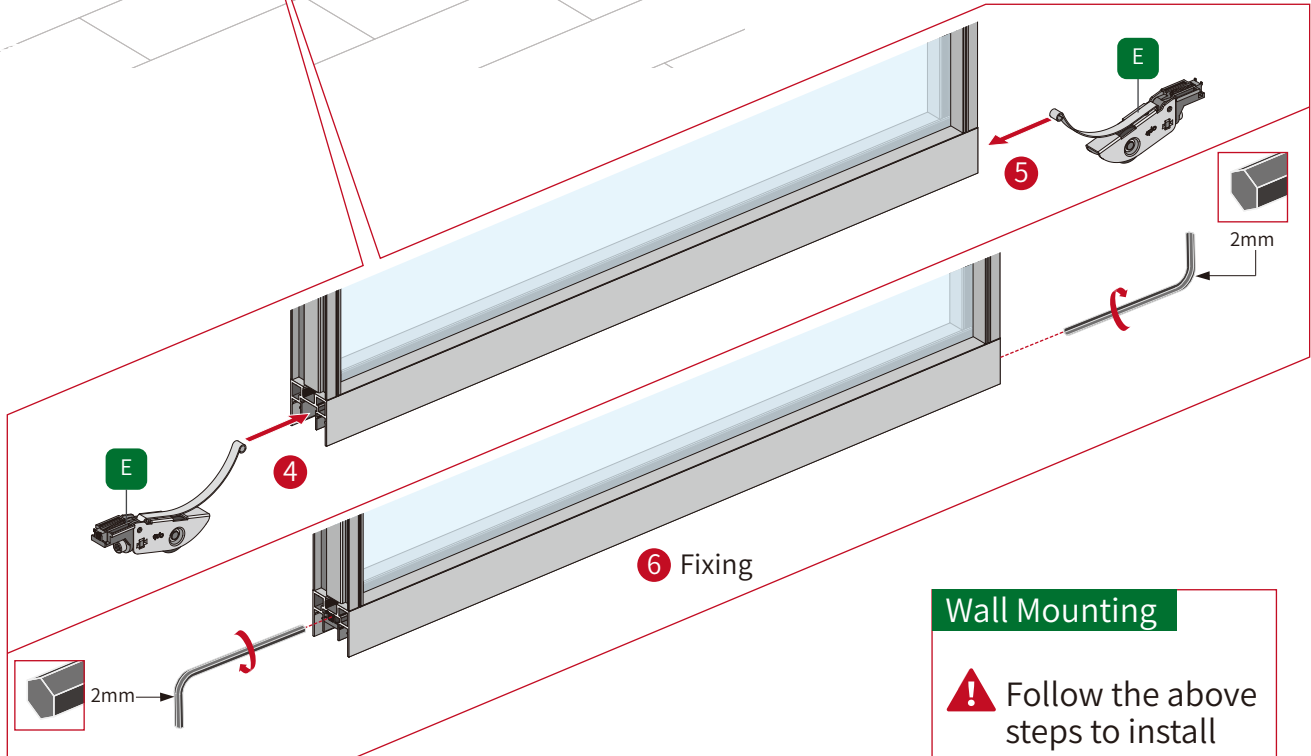
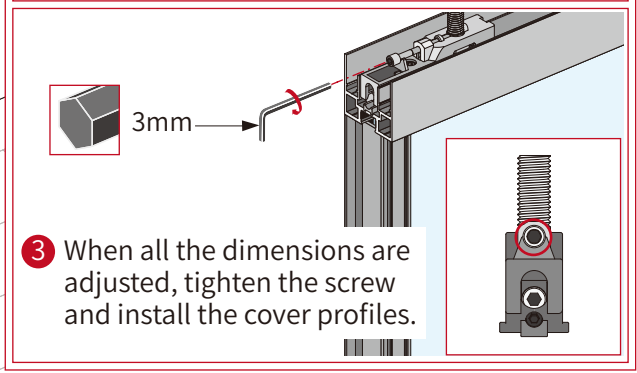
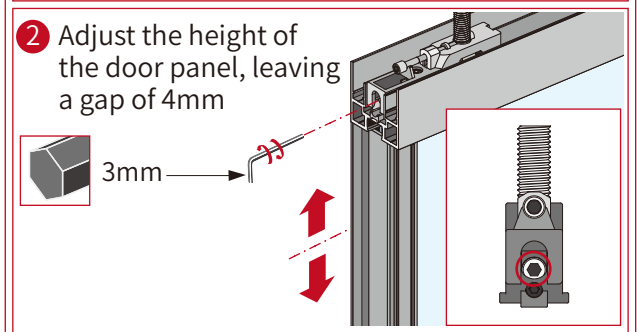
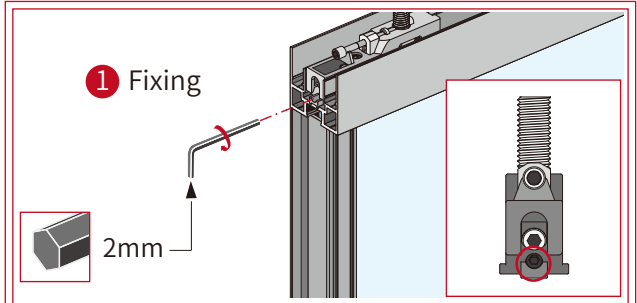
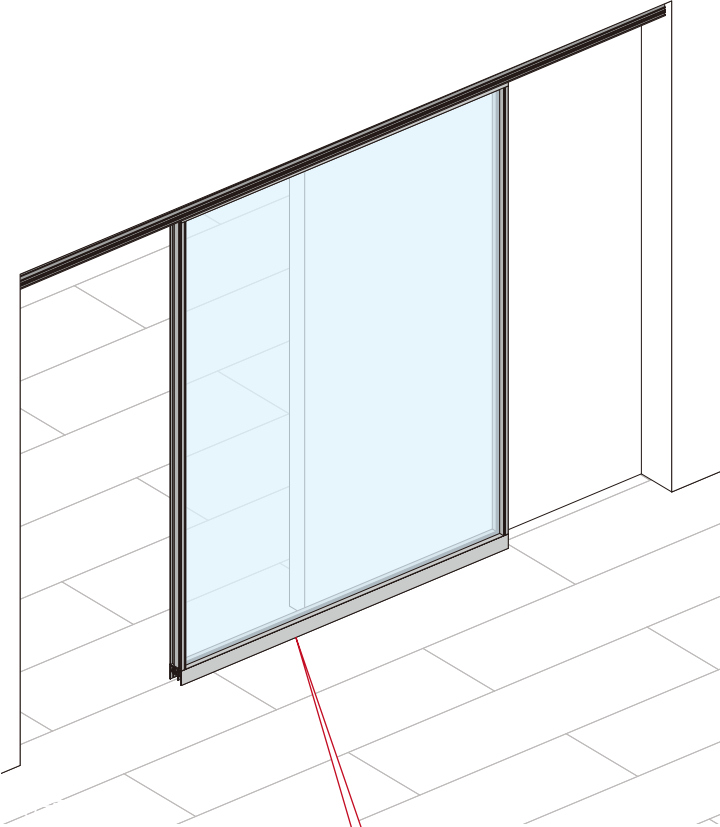
Ceiling Mounting



Wall Mounting

 Follow the above steps to install

Ceiling Mounting

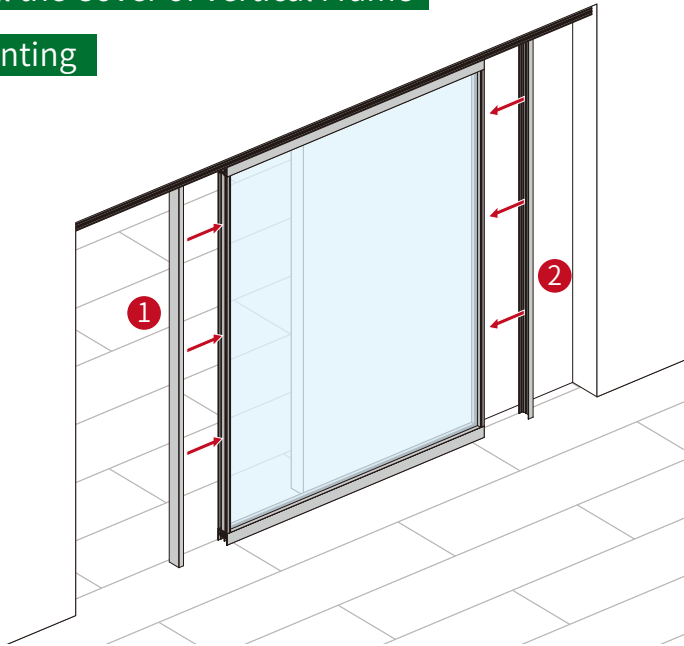


Wall Mounting

⚠ Follow the above steps to install

## 6 Install the Cover of Vertical Frame

### Ceiling Mounting

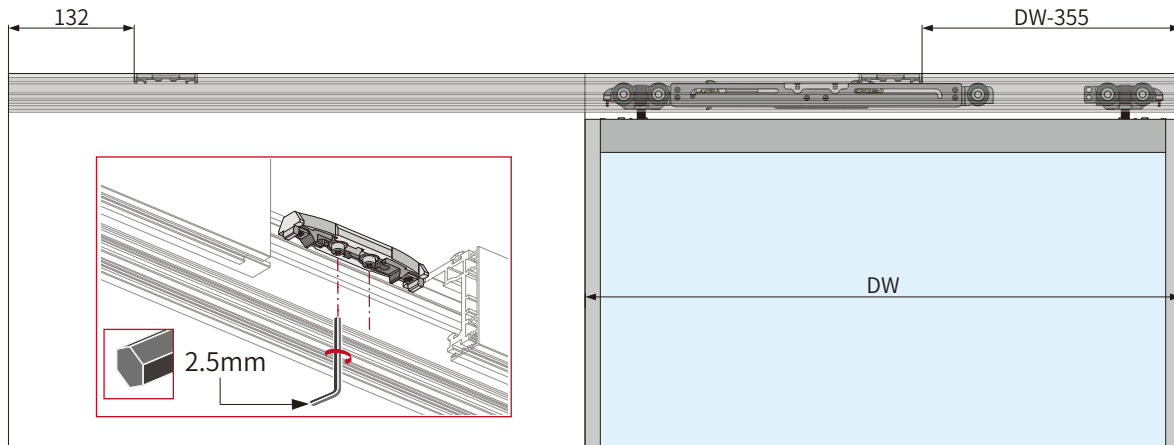


### Wall Mounting

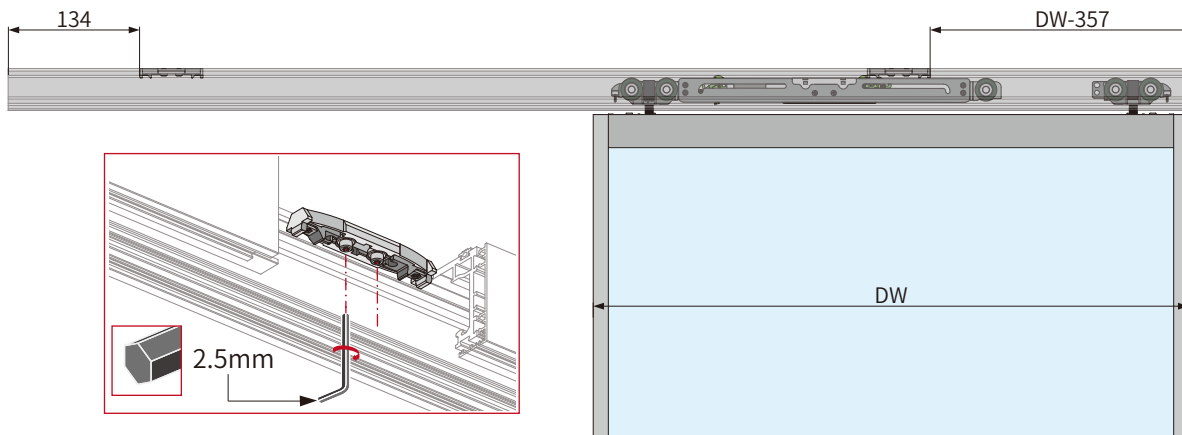
⚠ Follow steps 1 2 to install

## 7 Activator Position

### Ceiling Mounting

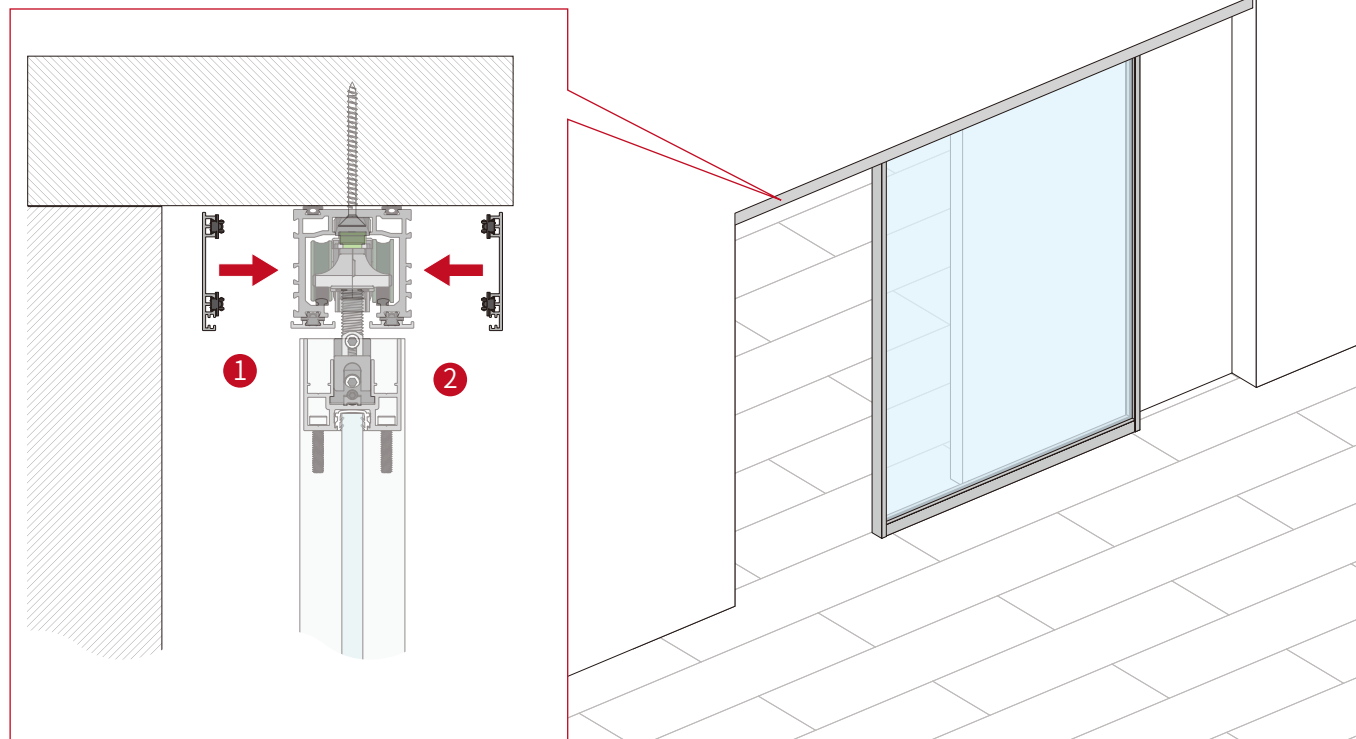


### Wall Mounting

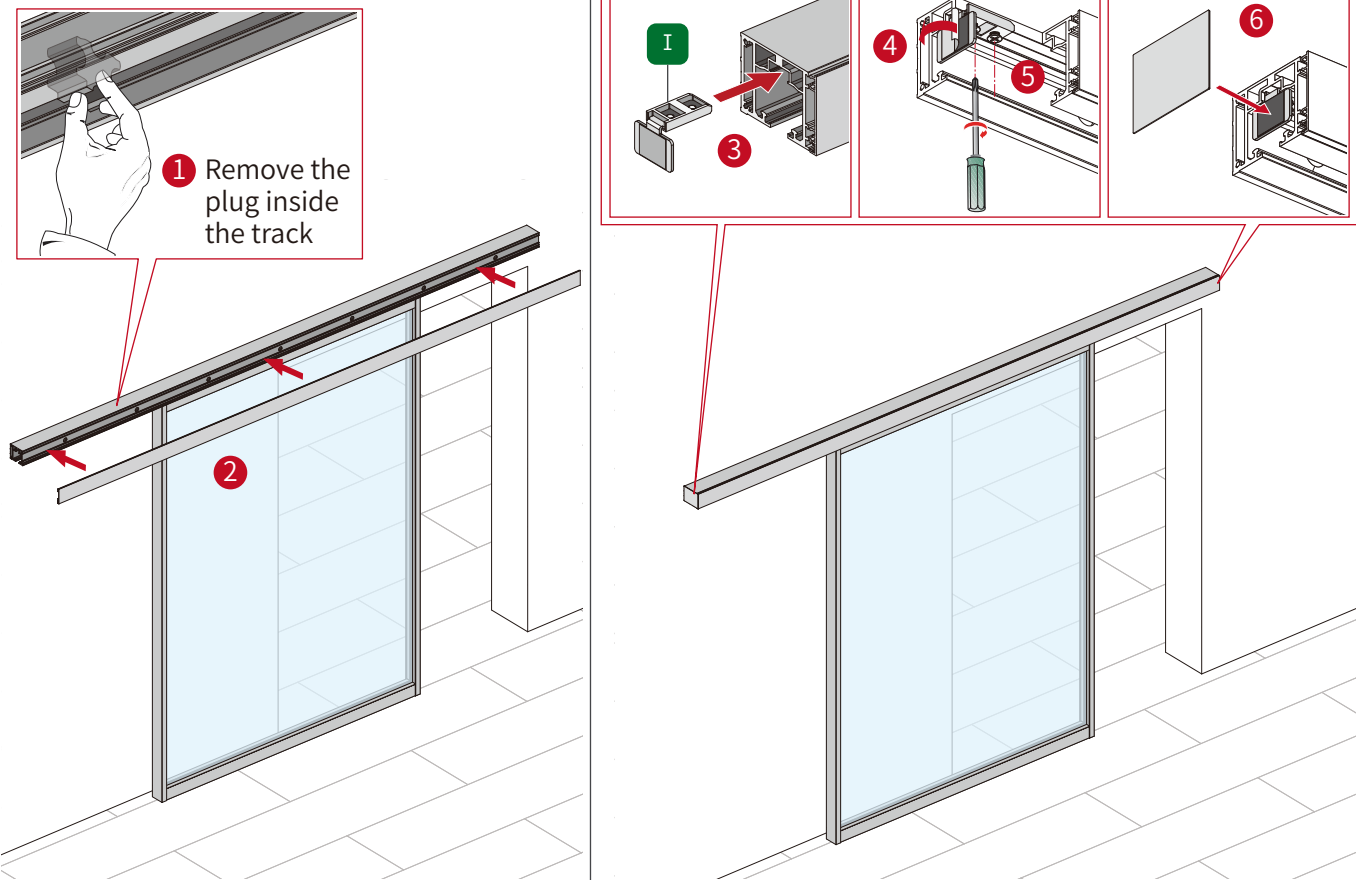


## 8 Install the Cover of Track

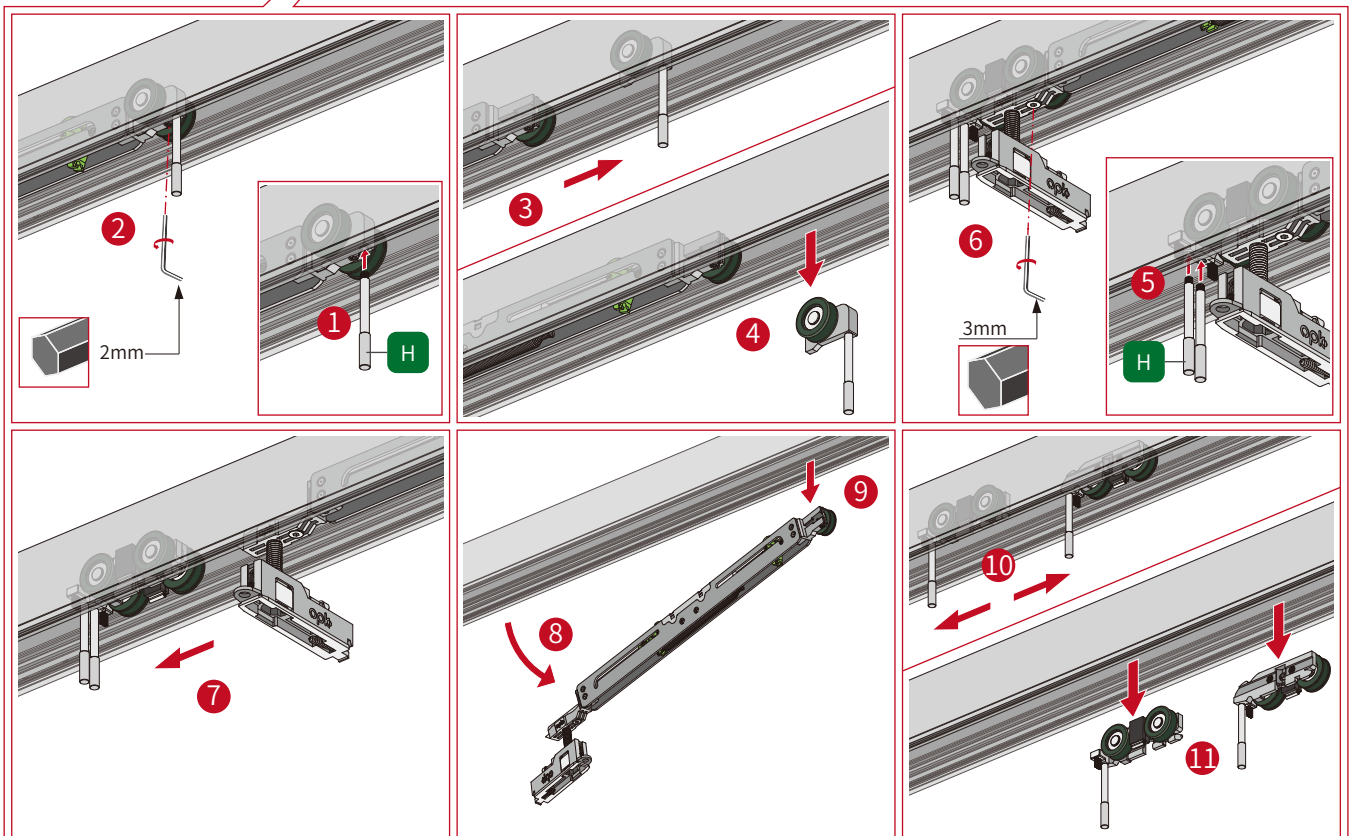
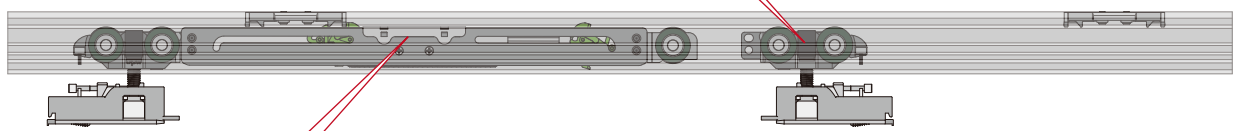
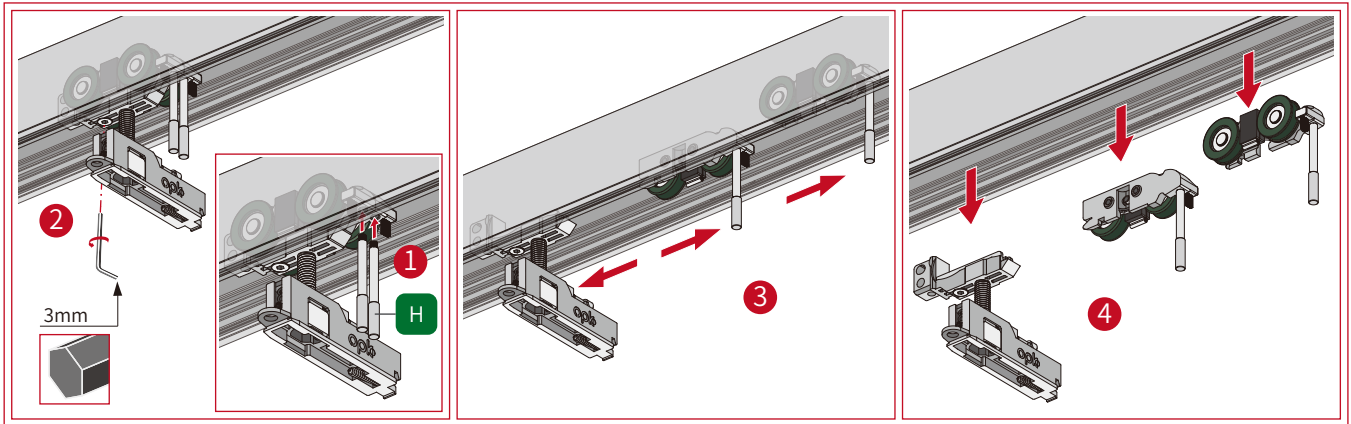
### Ceiling Mounting



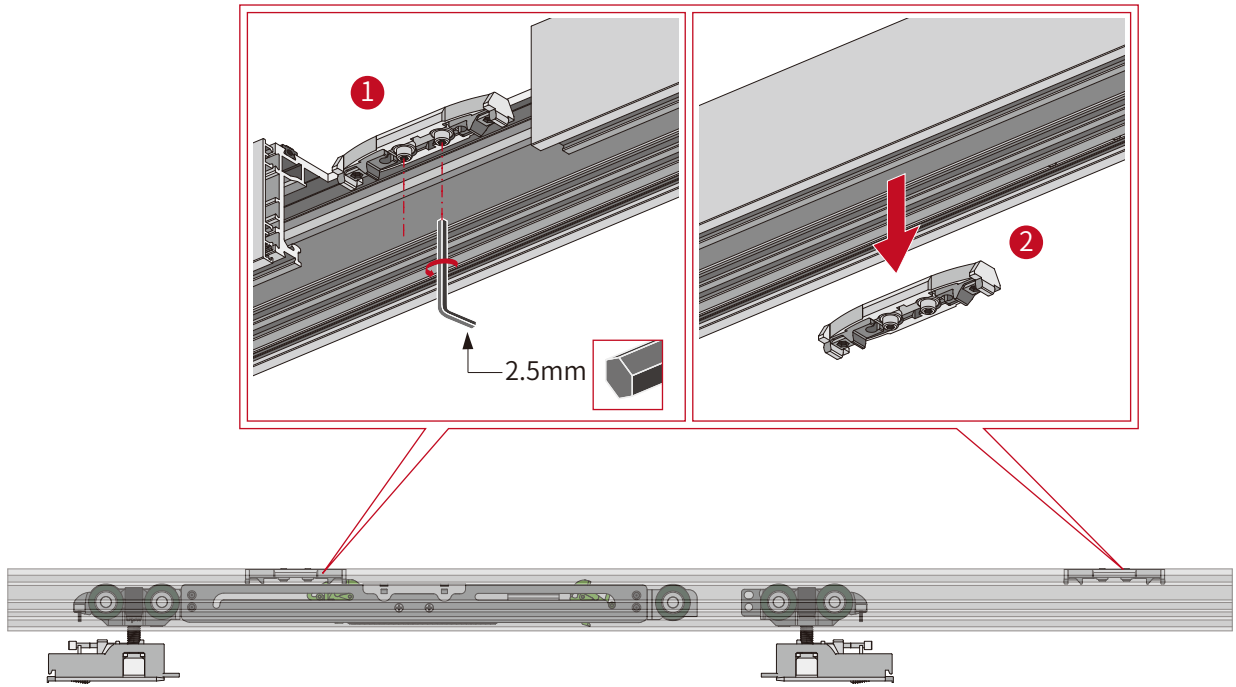
### Wall Mounting



Disassemble Running Part

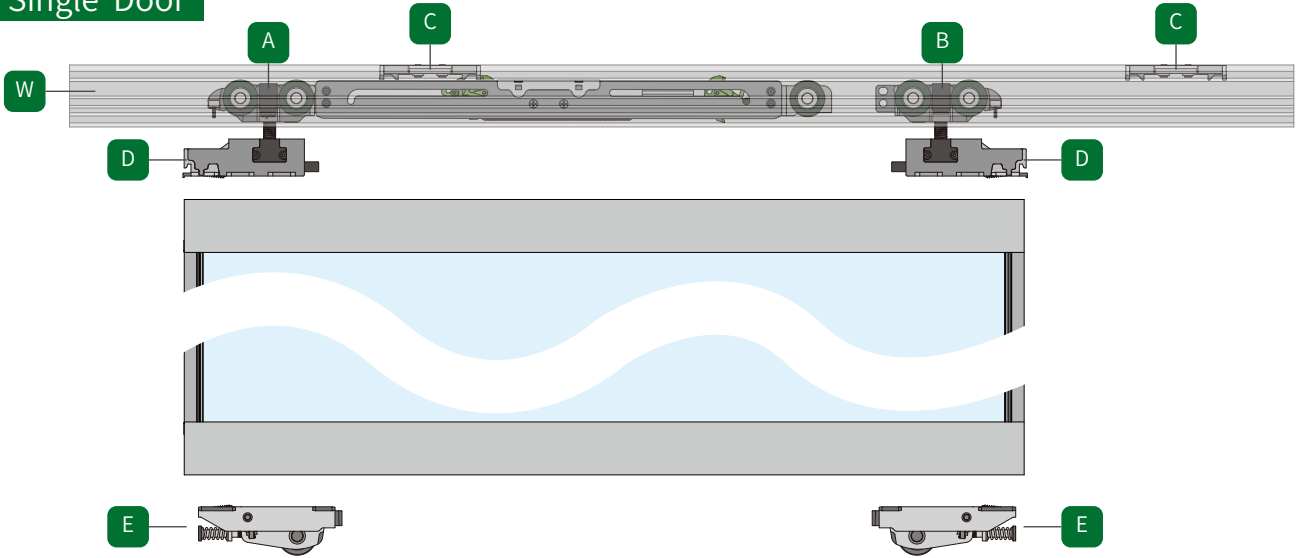


Replacing Activator

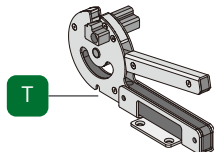
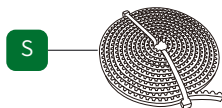
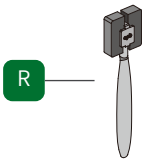
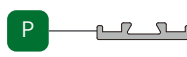
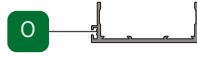
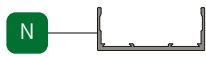
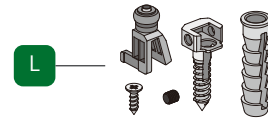
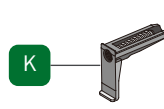
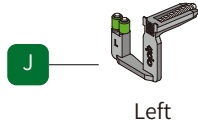
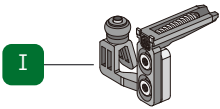
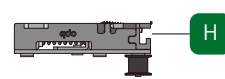
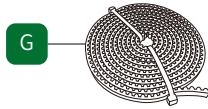
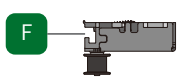
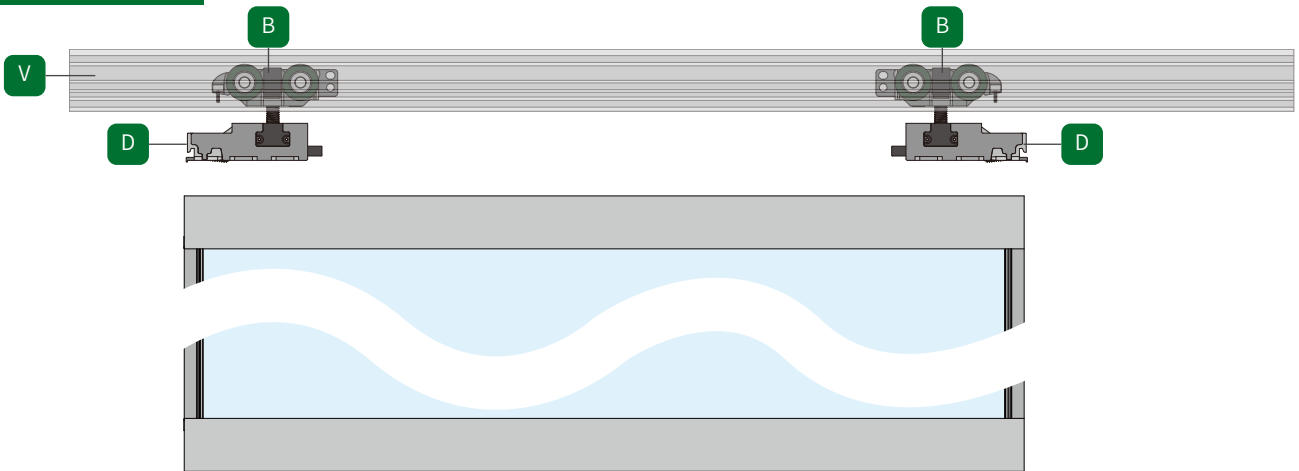


# Perfect System FG two-door linkage installation instruction

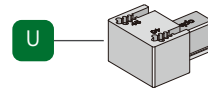
## Single Door



## Middle Door



Tool for belt clip

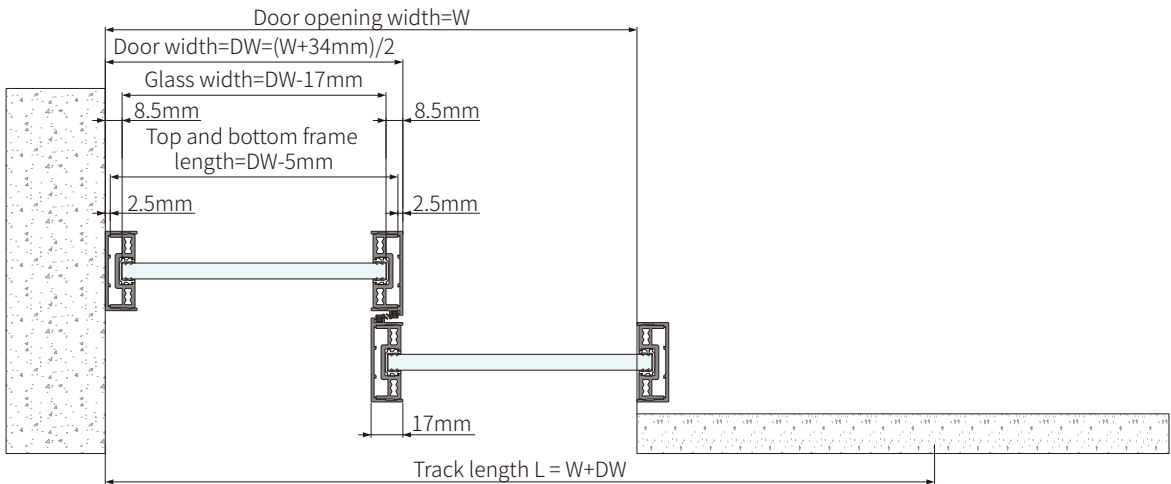
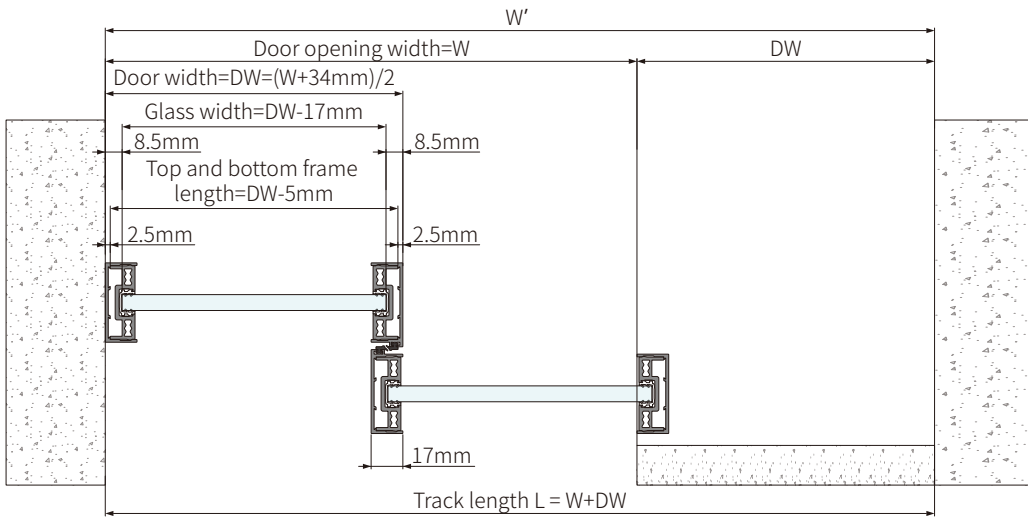
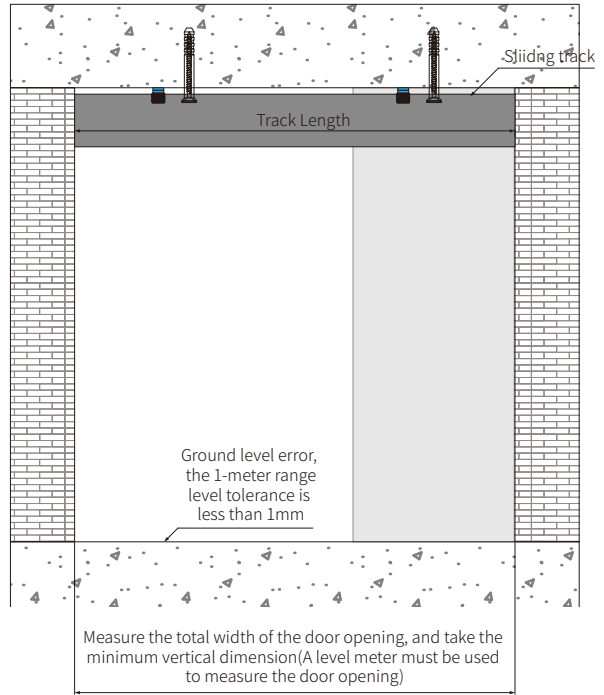
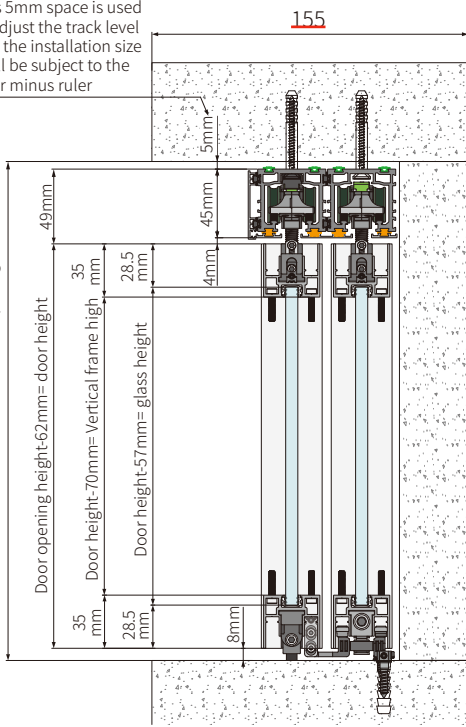


Belt mold jig

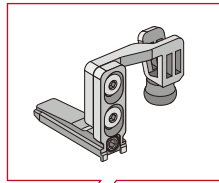


This 5mm space is used to adjust the track level and the installation size shall be subject to the door minus ruler

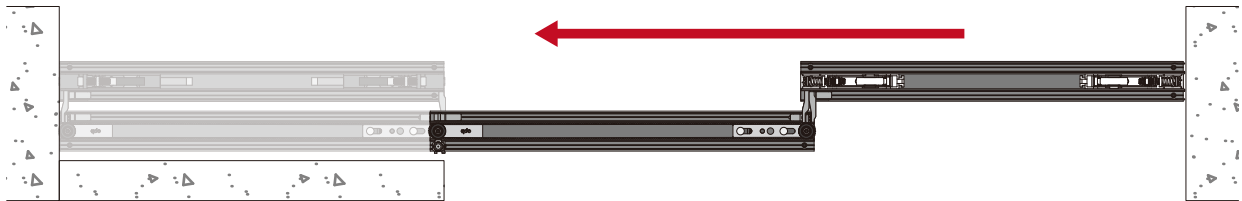
Take the lowest point of the horizontal level to measure the Door opening height (the horizontal instrument must be used to measure the door opening)



## Open the door to the left

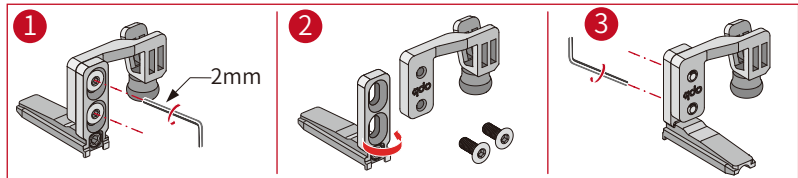
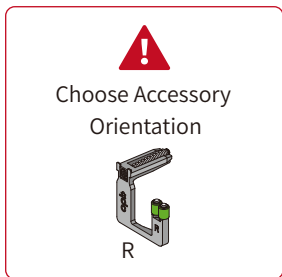


Door 1: Single Door  
Door 2: Middle Door

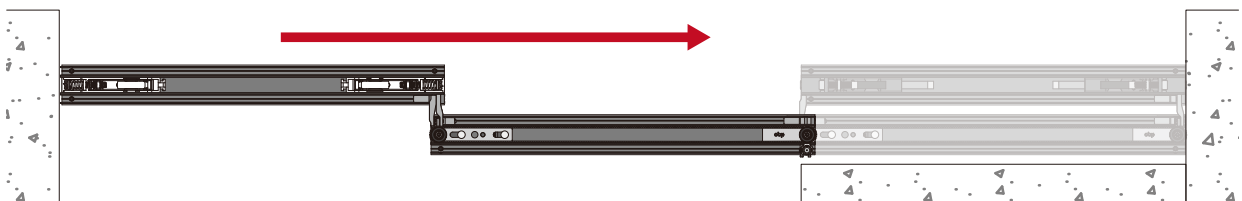


Bottom view

## Open the door to the right



Door 1: Single Door  
Door 2: Middle Door

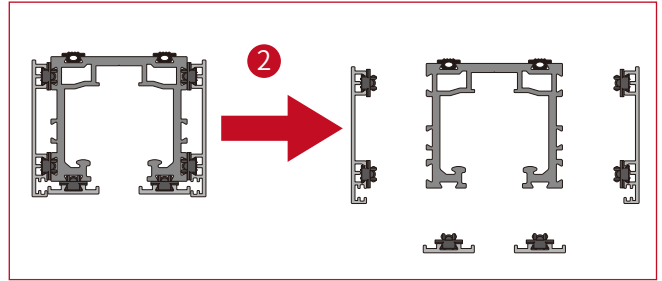
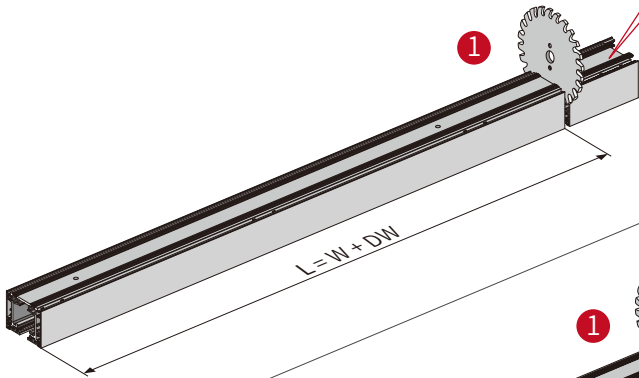


Bottom view

# 1 Cut the Profiles    Disassemble the Profiles

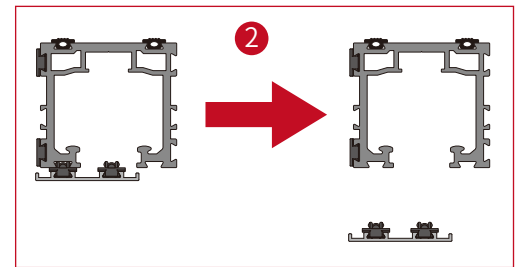
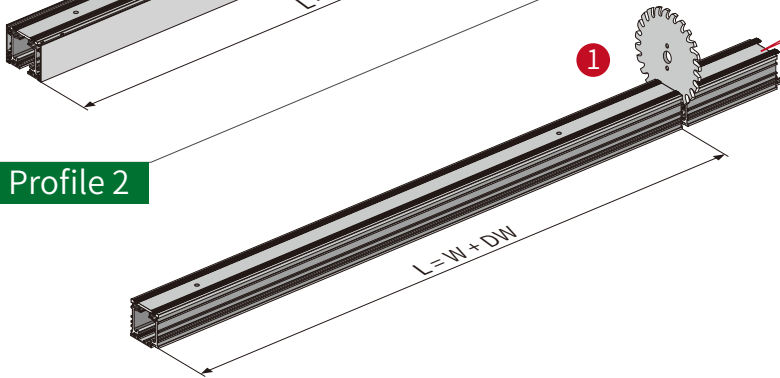
## Profile 1

⚠ Cutting from the uneven side of the profiles

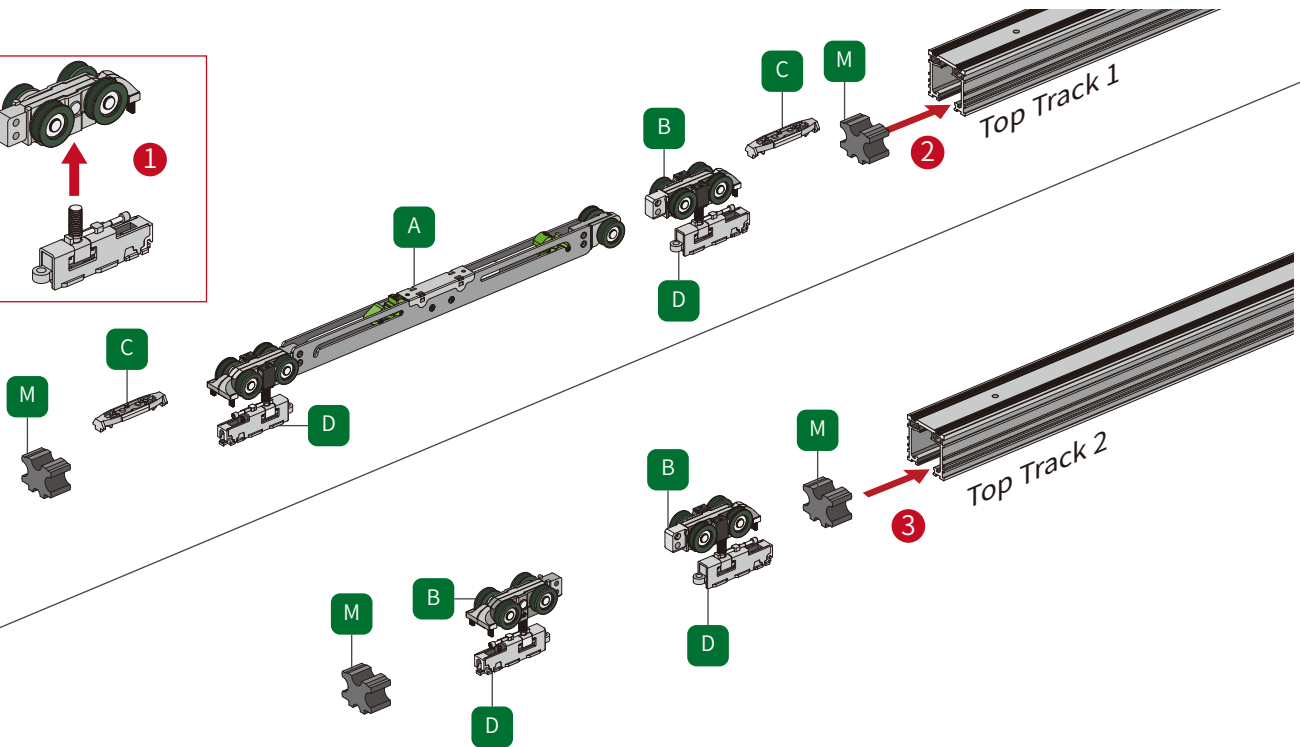
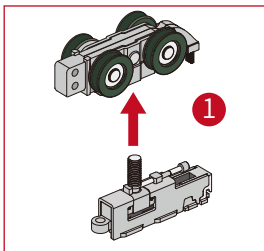


## Profile 2

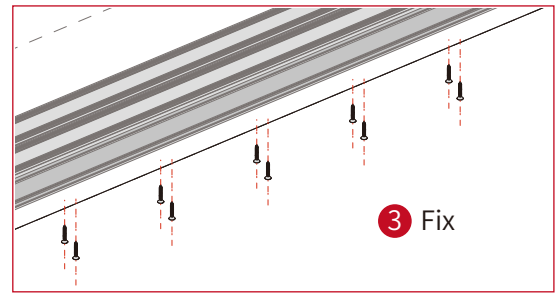
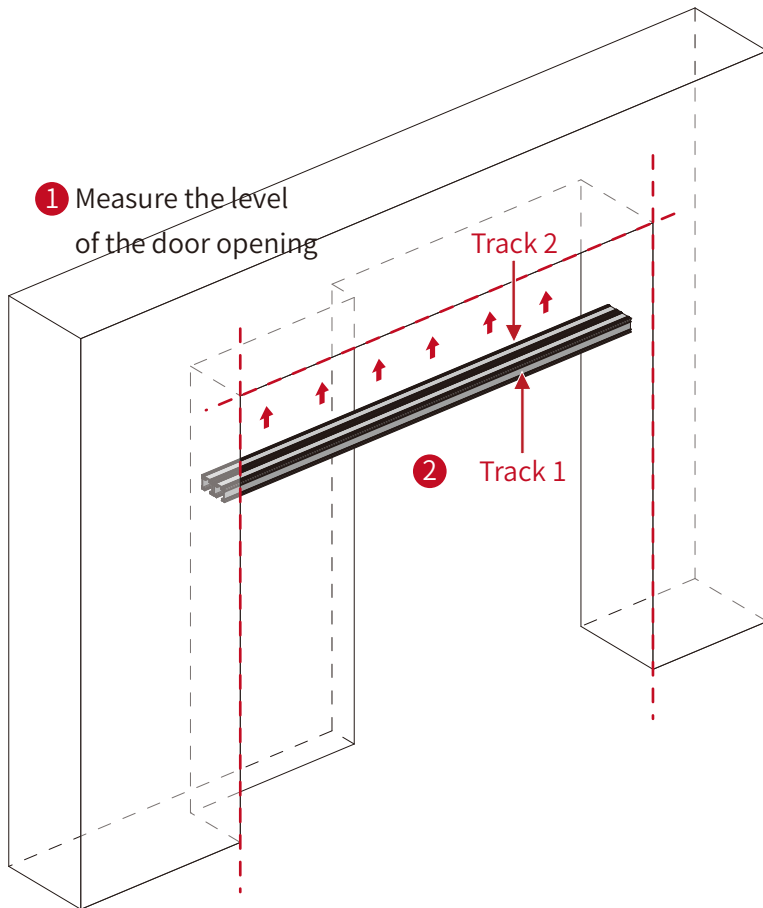
⚠ Cutting from the uneven side of the profiles



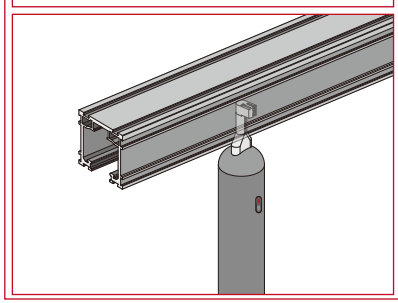
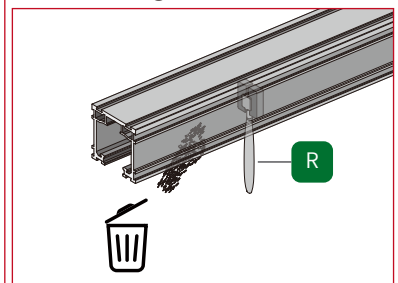
# 2 Install Rollers and Activators



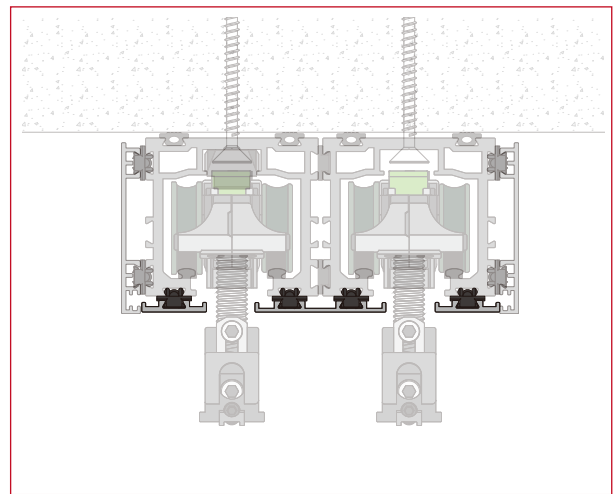
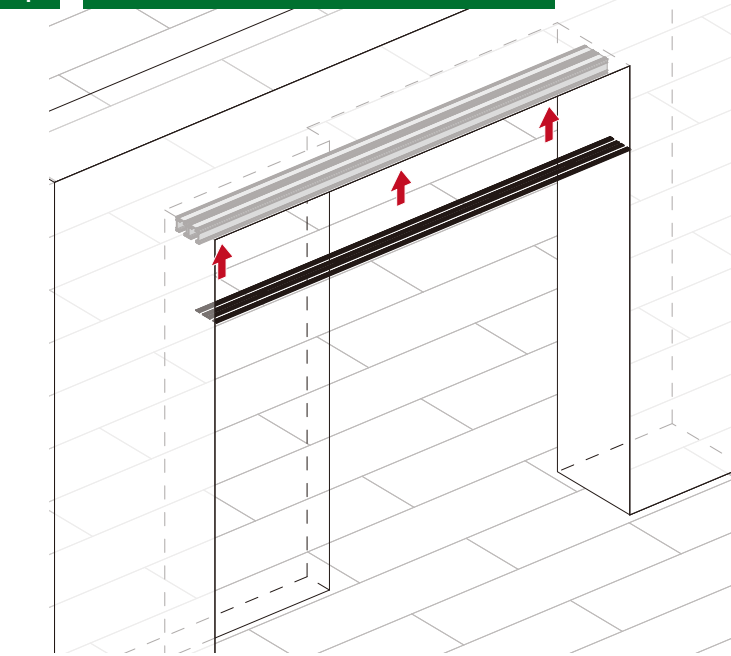
### 3 Install the Tracks



4 After fixing the screws, clean the tracks with a cleaning brush

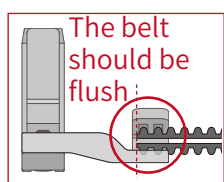
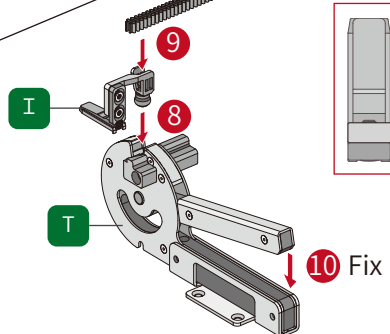
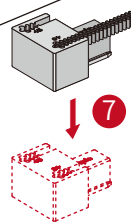
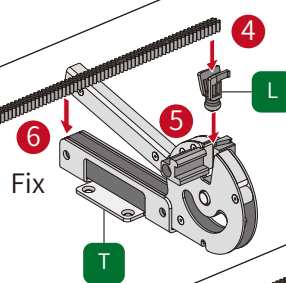
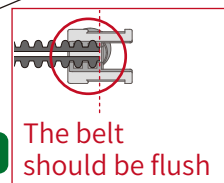
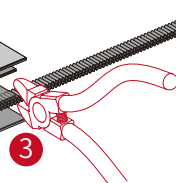
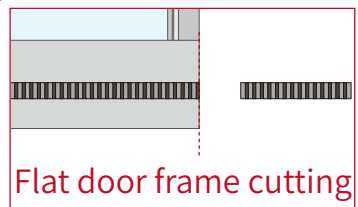
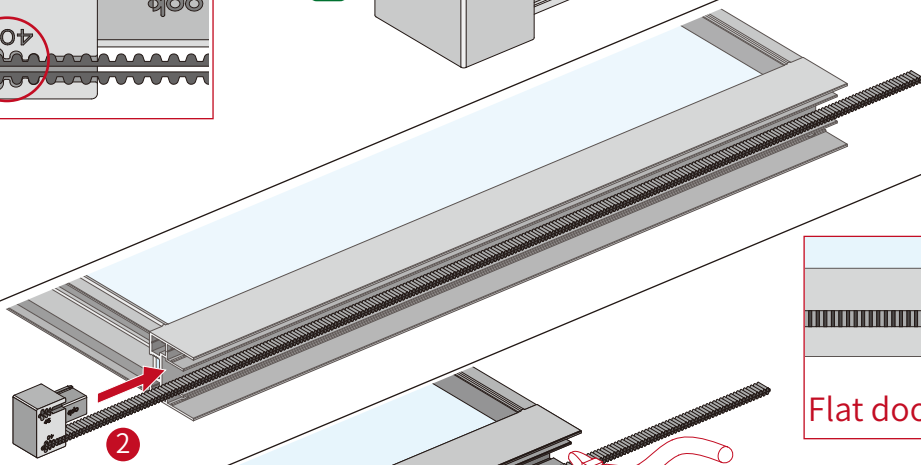
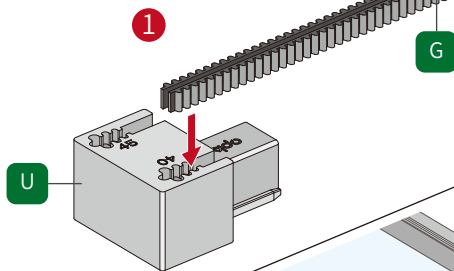
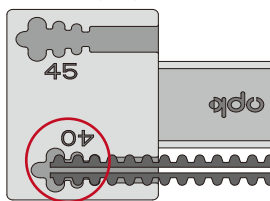


### 4 Install the Covers of the Tracks

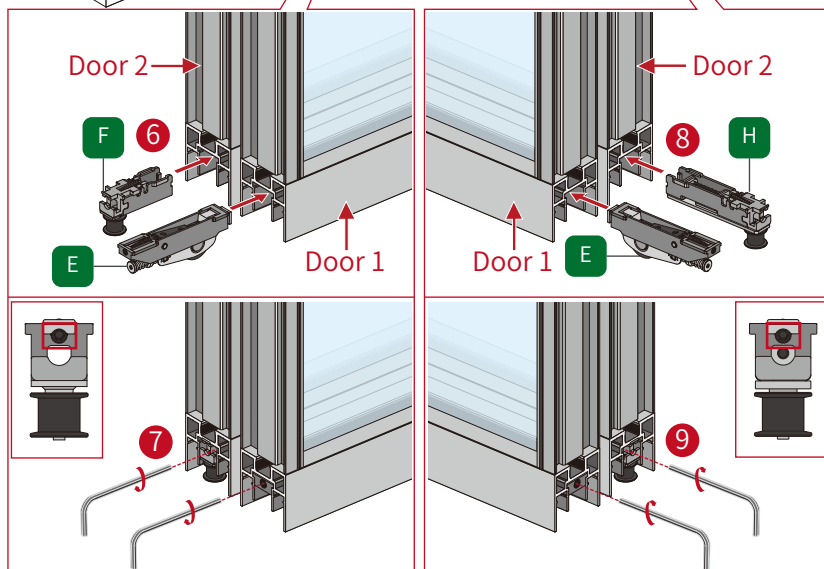
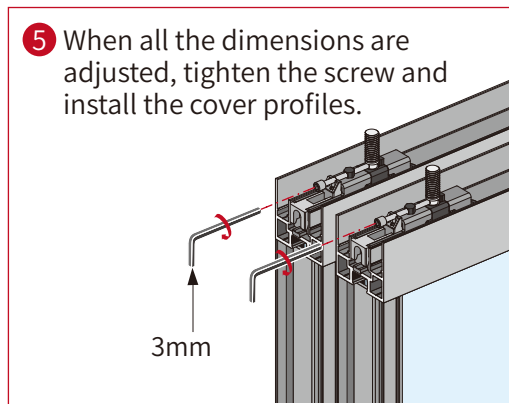
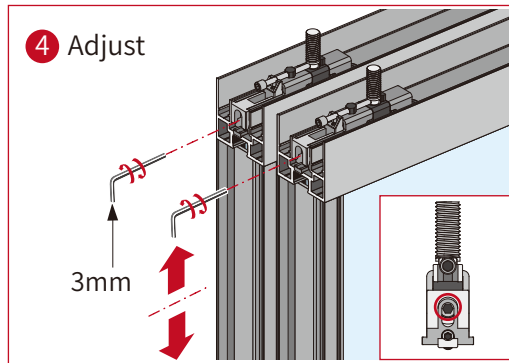
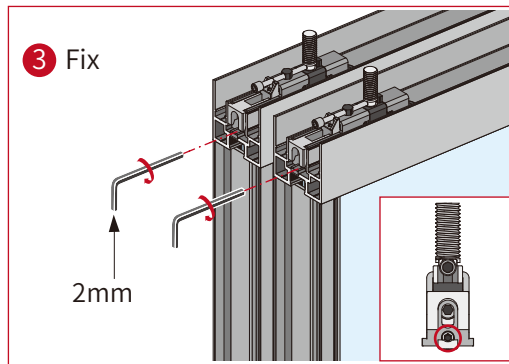
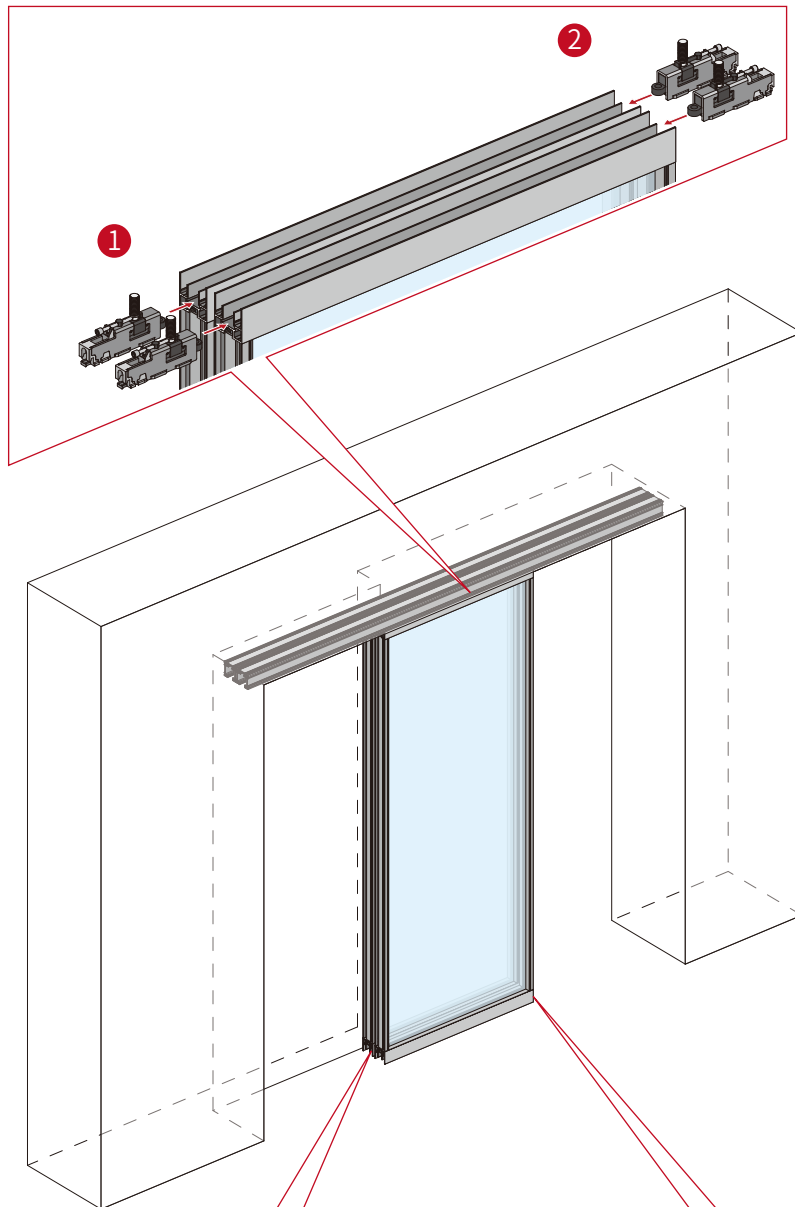


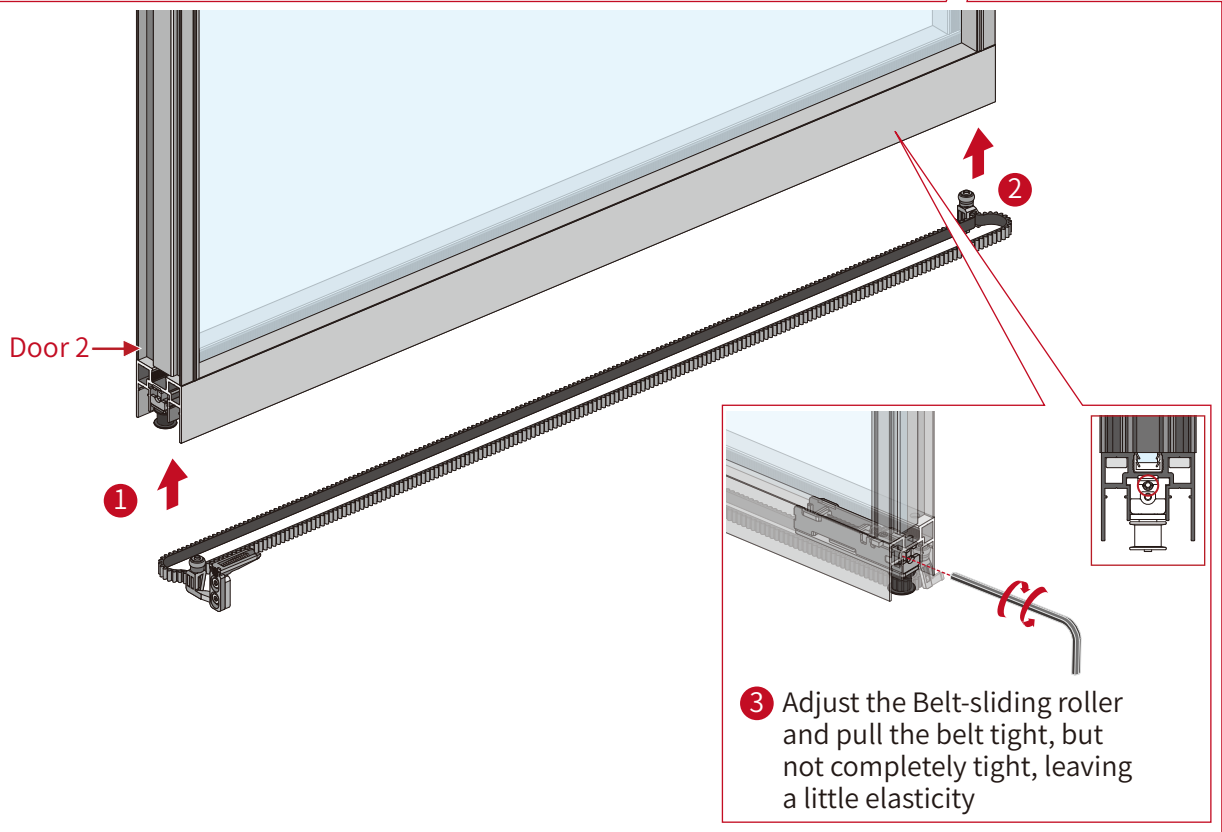
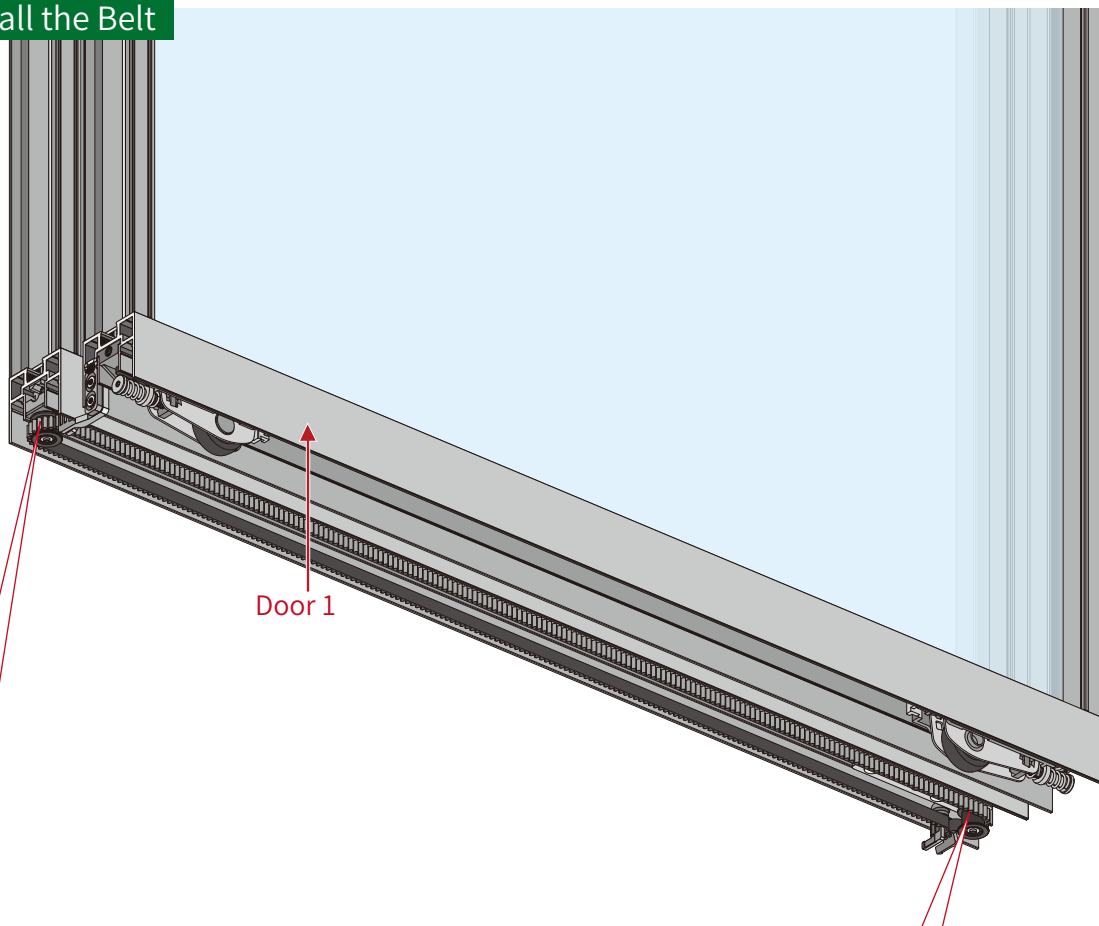
**5** Cut the Belt    **Install Belt Accessories**

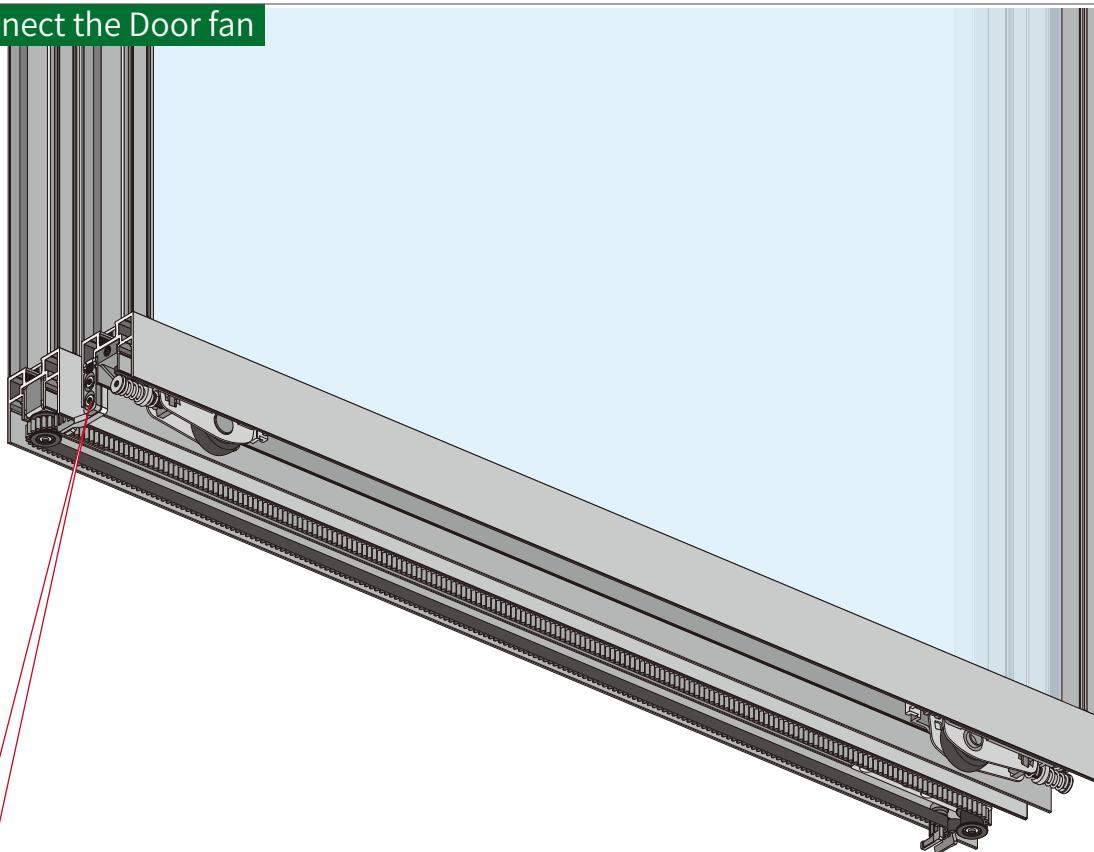
According to the thickness of door panel 40mm, confirm the use of belt mold (40)



## 6 Install Door Panel



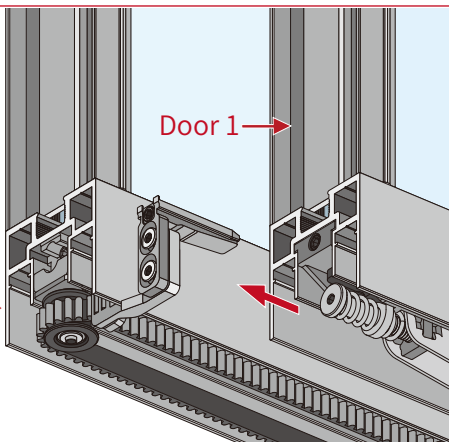




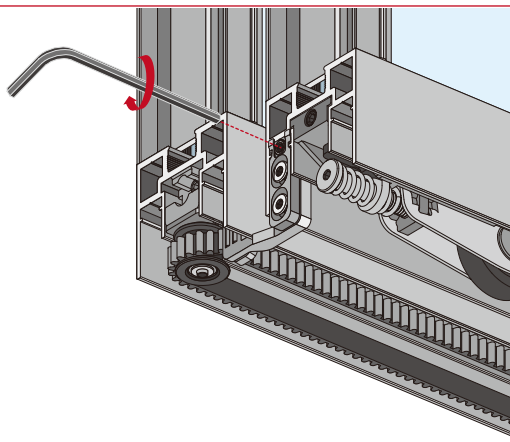
1

Door 2 →

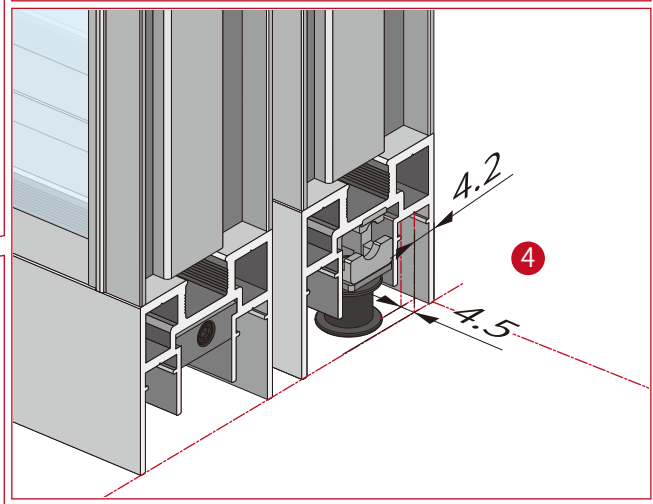
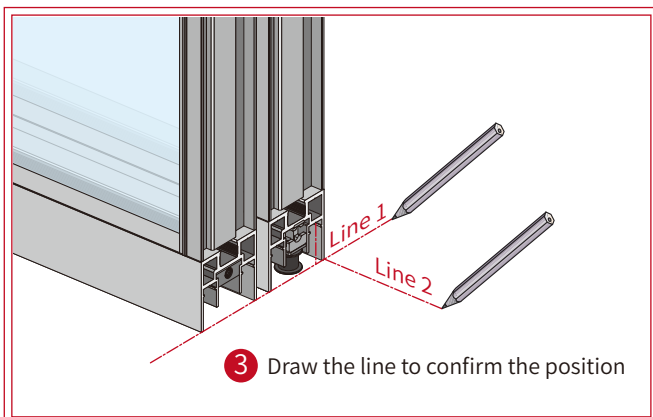
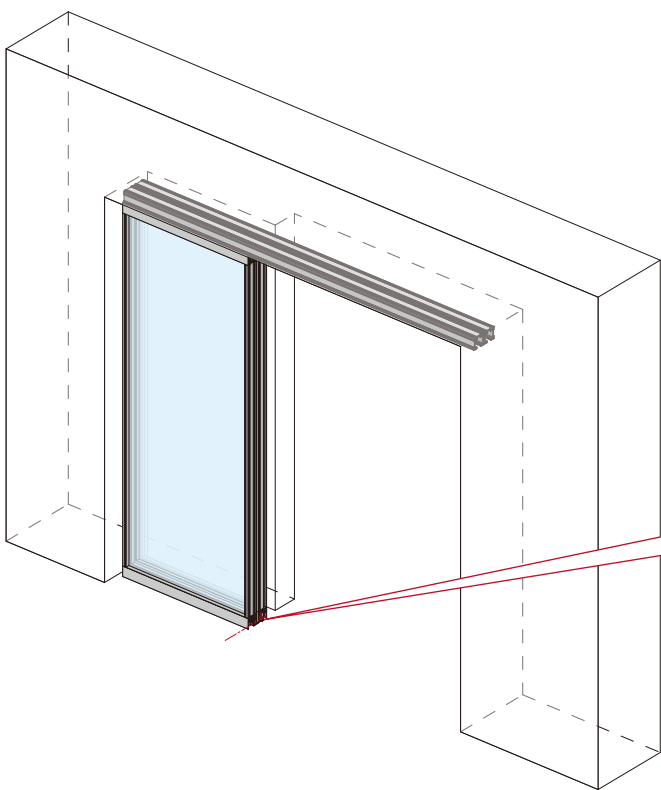
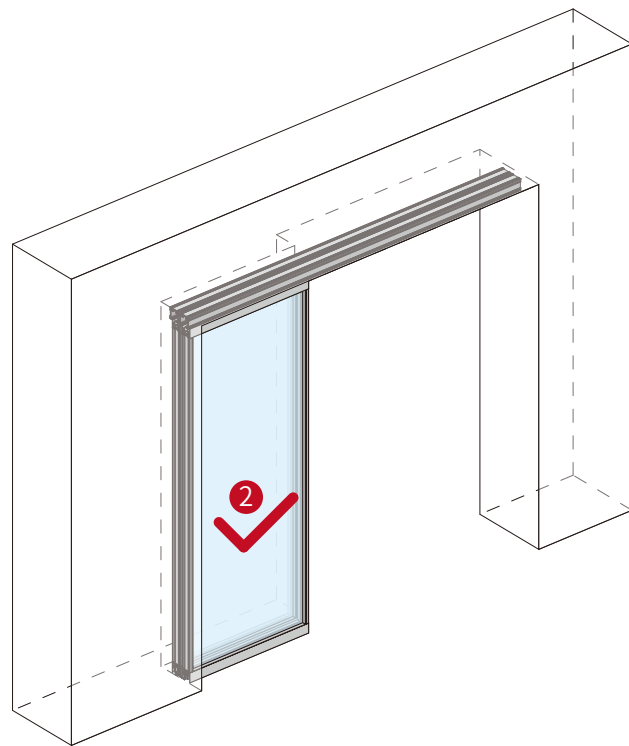
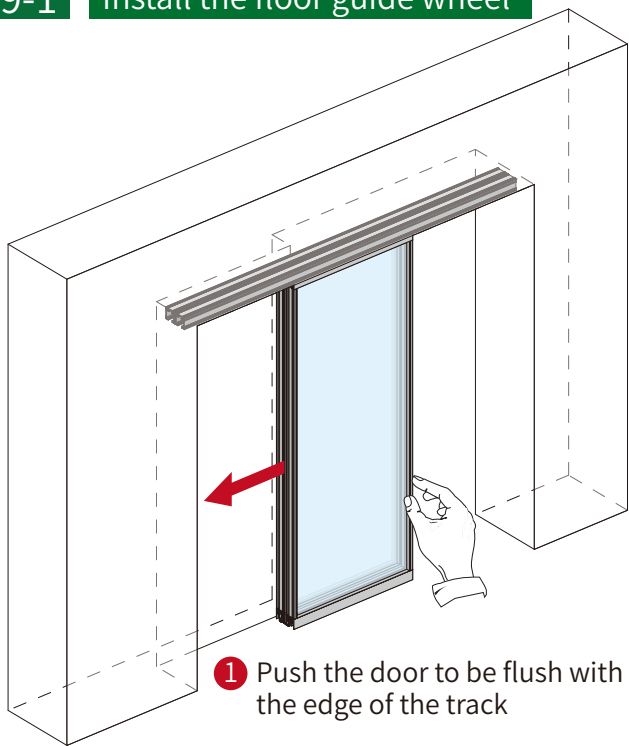
Door 1 →



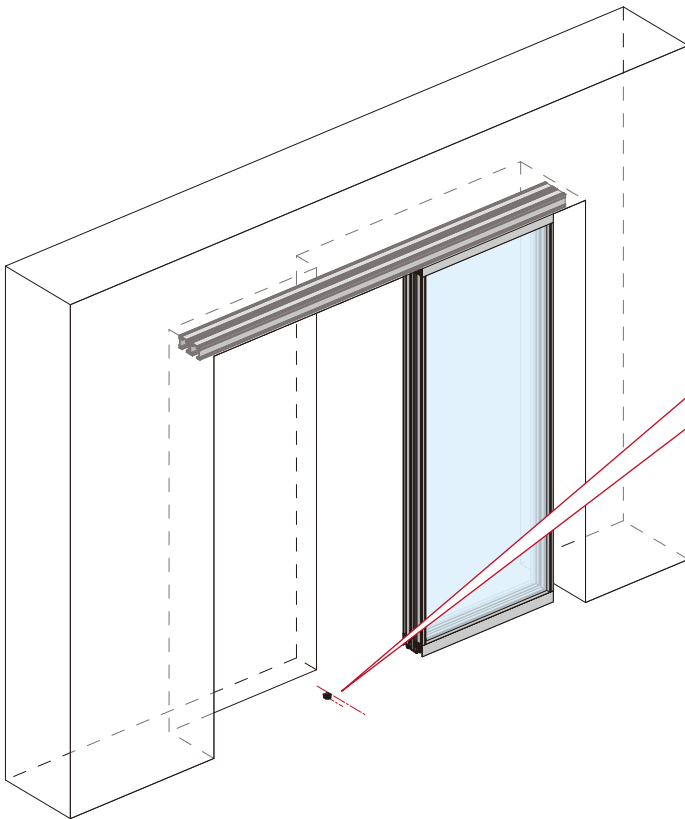
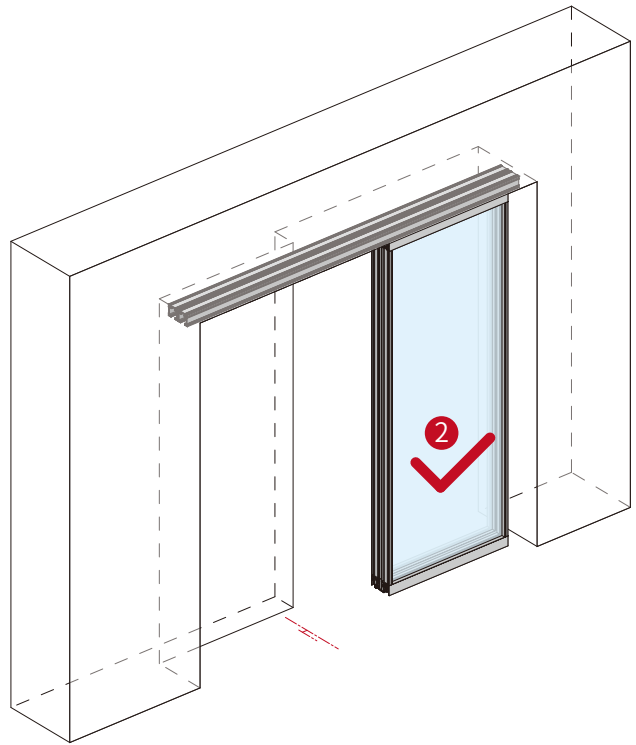
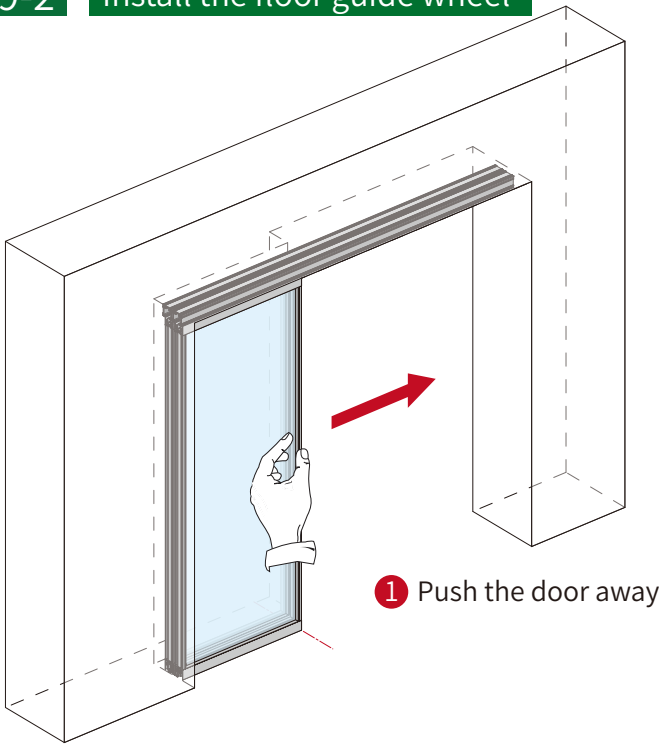
2 Fix



# 9-1 Install the floor guide wheel

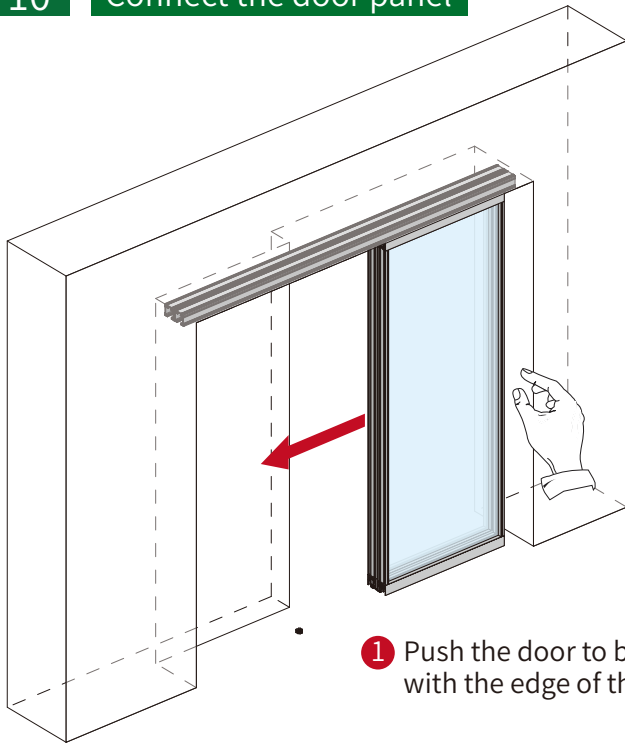


9-2 Install the floor guide wheel

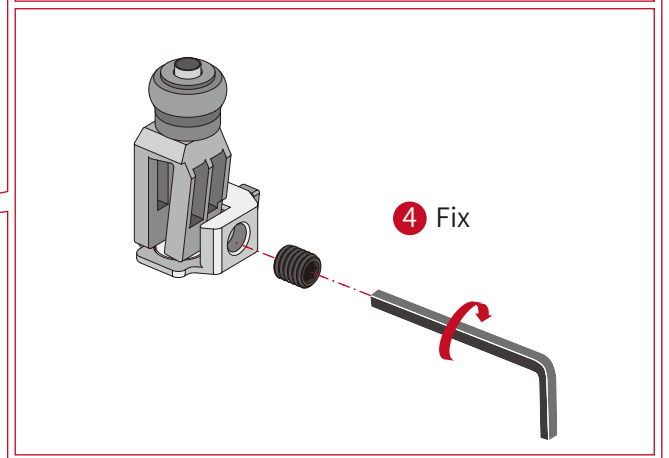
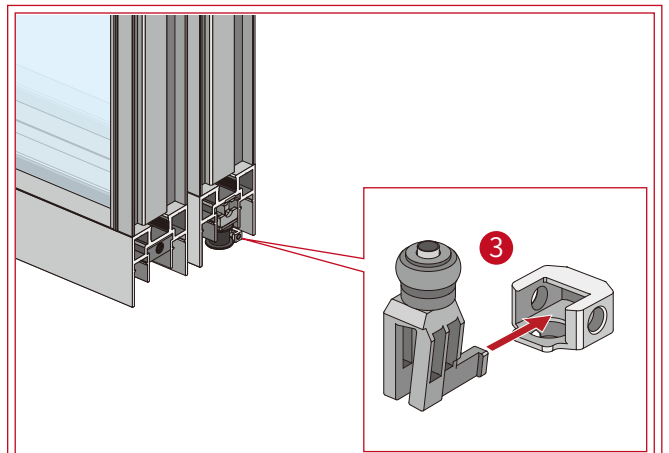
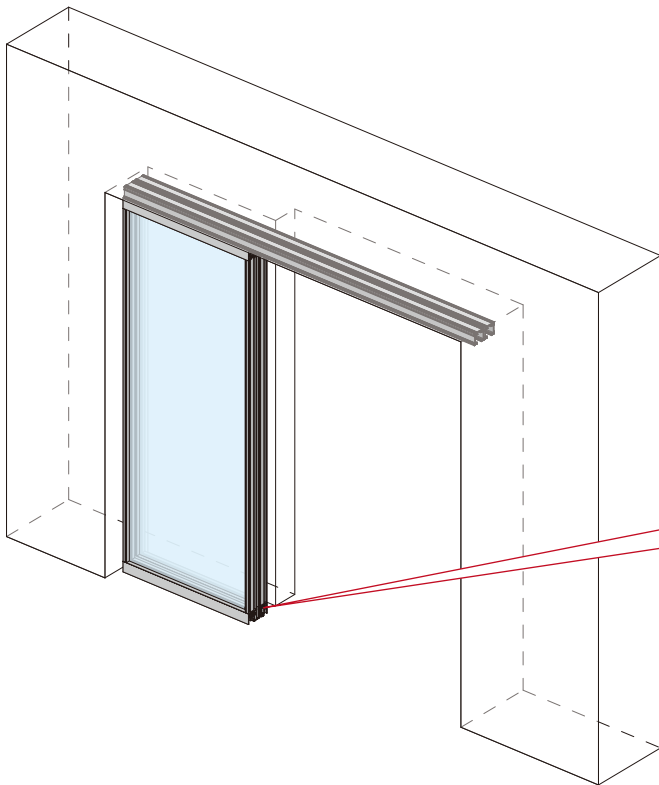
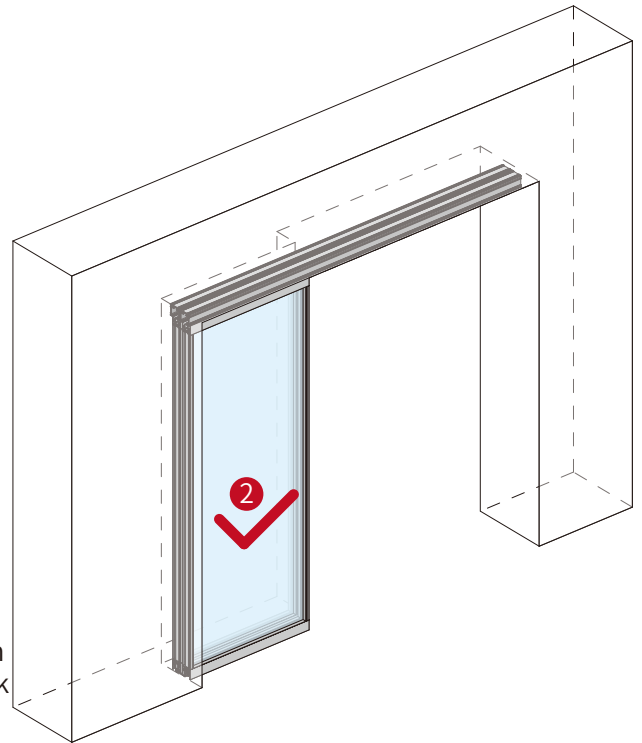


<p>3</p> <p>Line 1</p> <p>Line 2</p> <p>Line 3</p> <p>Drill the hole(Ø8)</p> <p>4.2</p> <p>4.5</p> <p>L</p>	<p>4 Fixing</p> <p>Line 1</p> <p>Line 2</p> <p>Line 3</p> <p>L</p>
<p>5 Adjust the orientation</p> <p>Line 1</p>	<p>Line 3</p>
<p>6 Fixing</p> <p>K</p>	

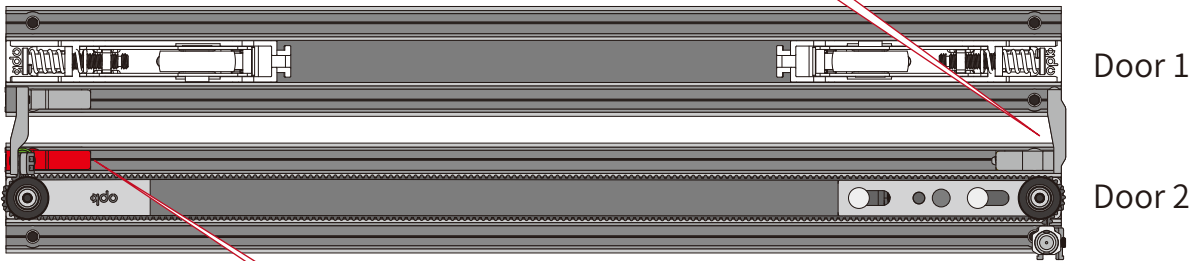
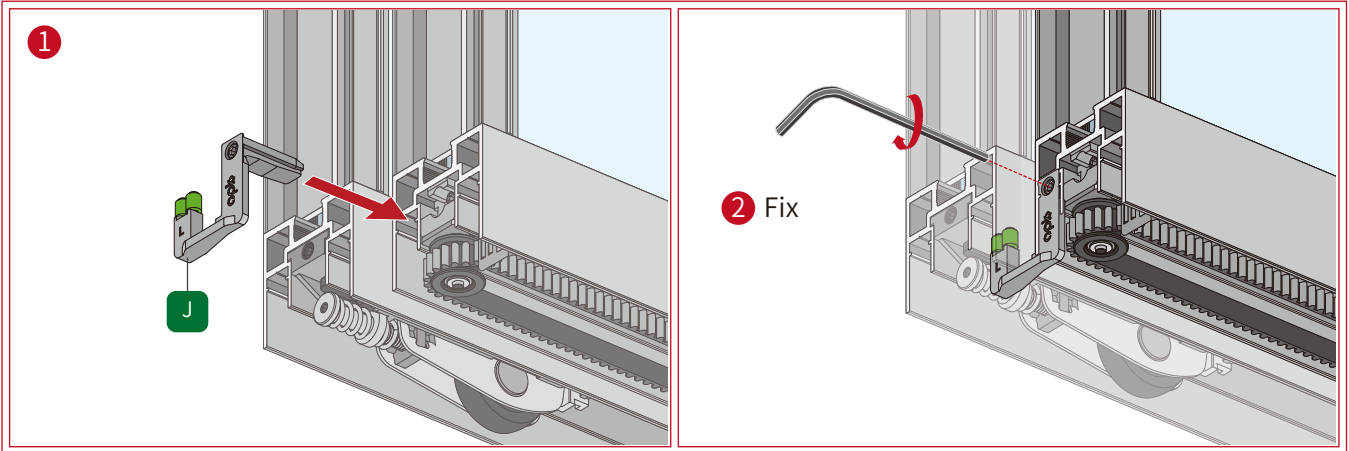
10 Connect the door panel



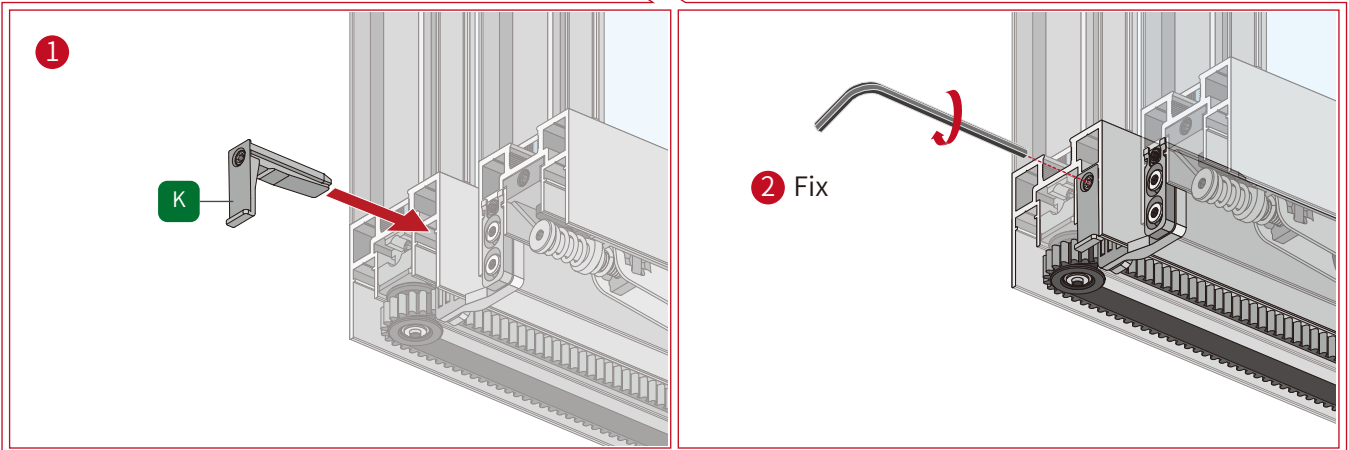
1 Push the door to be flush with the edge of the track



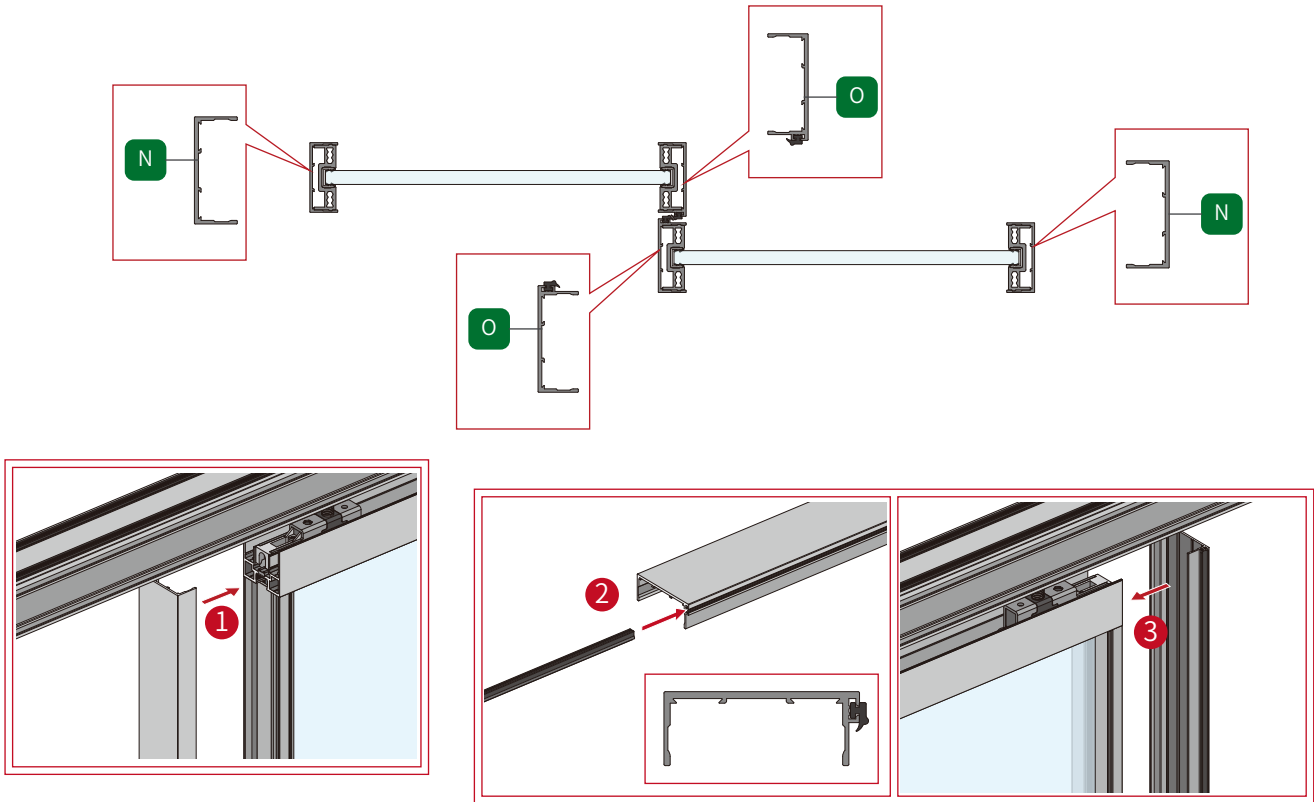
Install the guide wheel



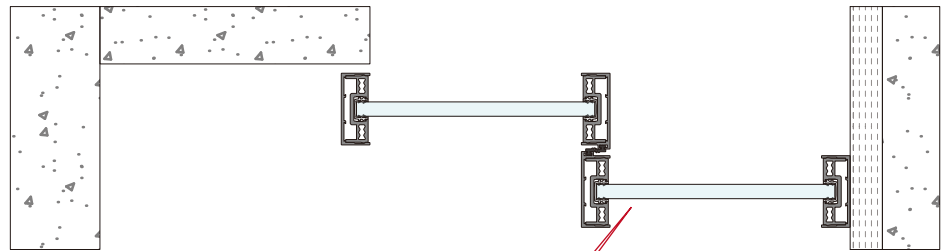
Install the Anti-push & pull accessories



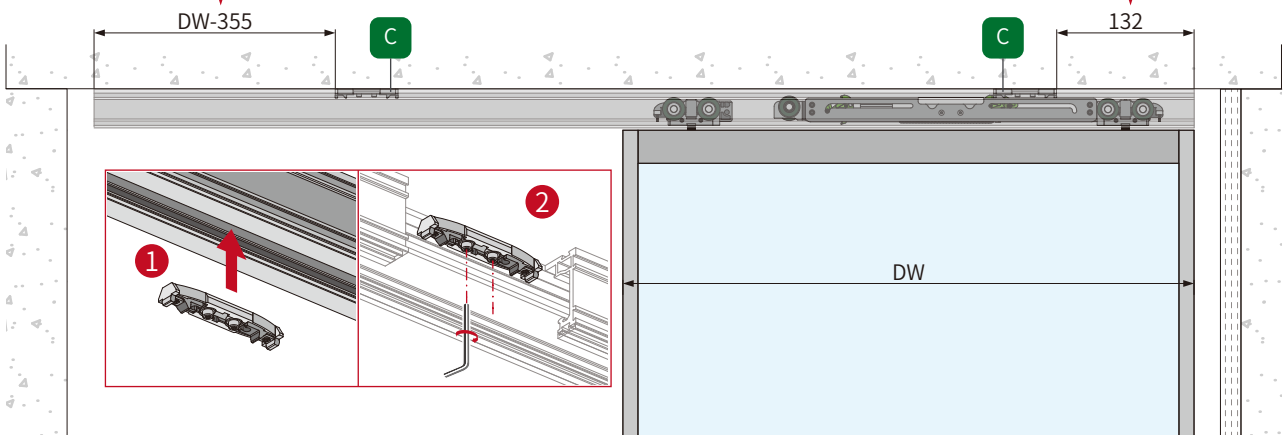
## 12 Install the Cover of Vertical Frame

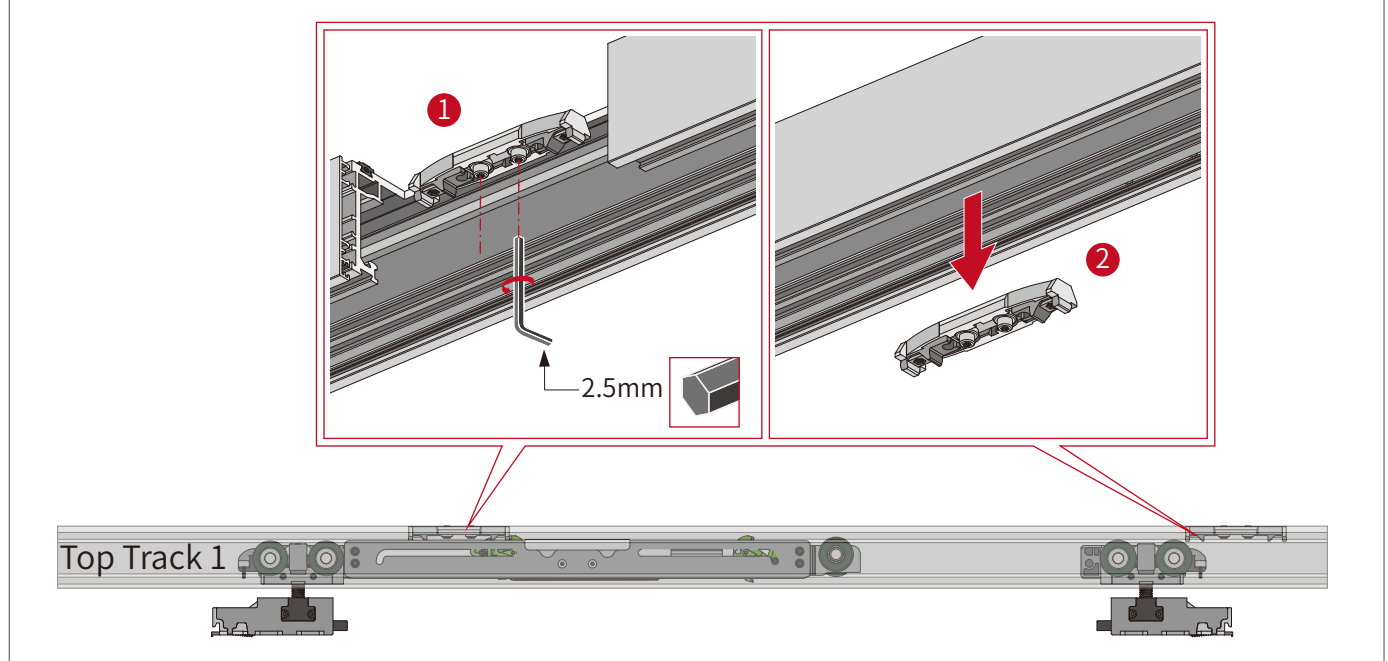
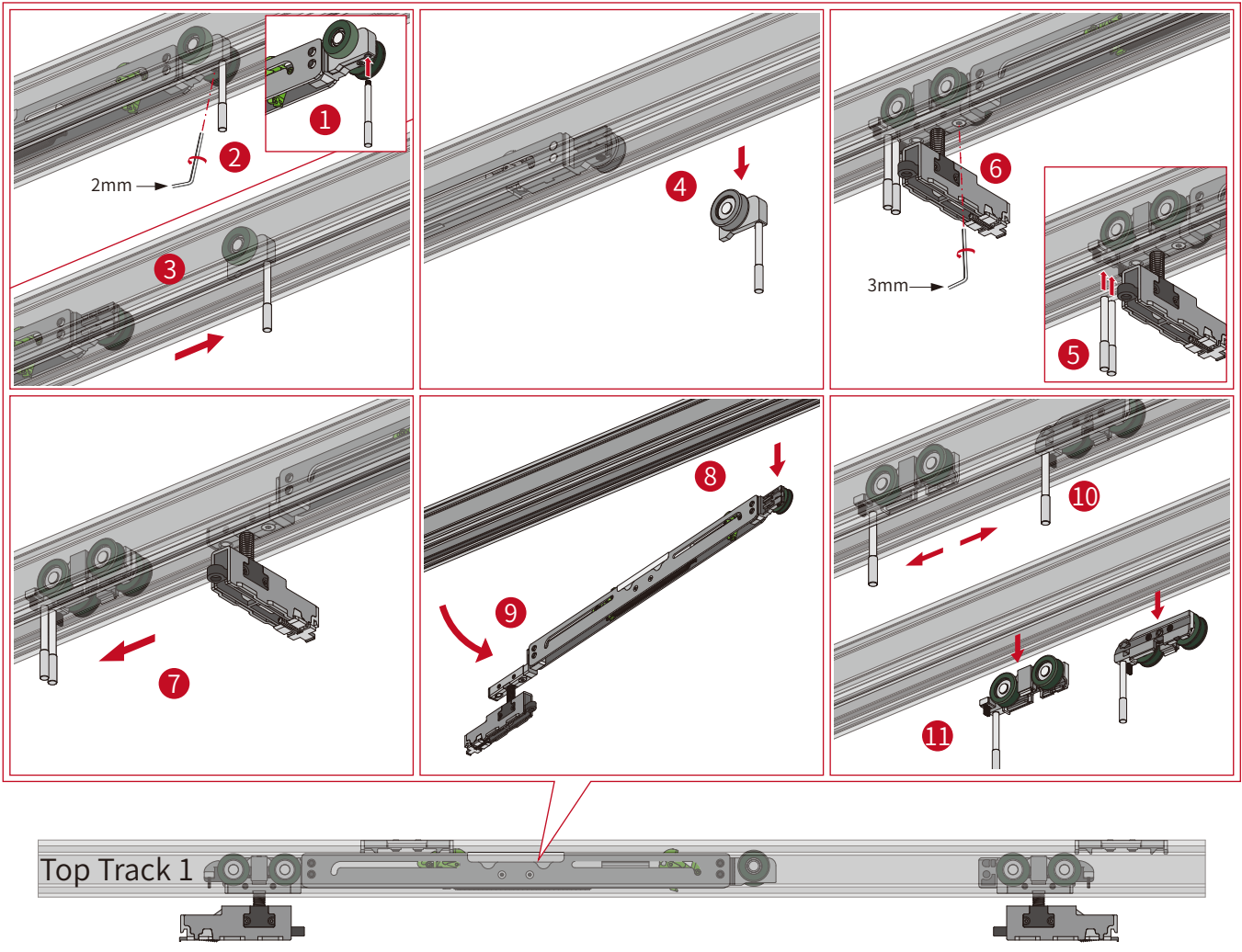


## 13 Install Activators



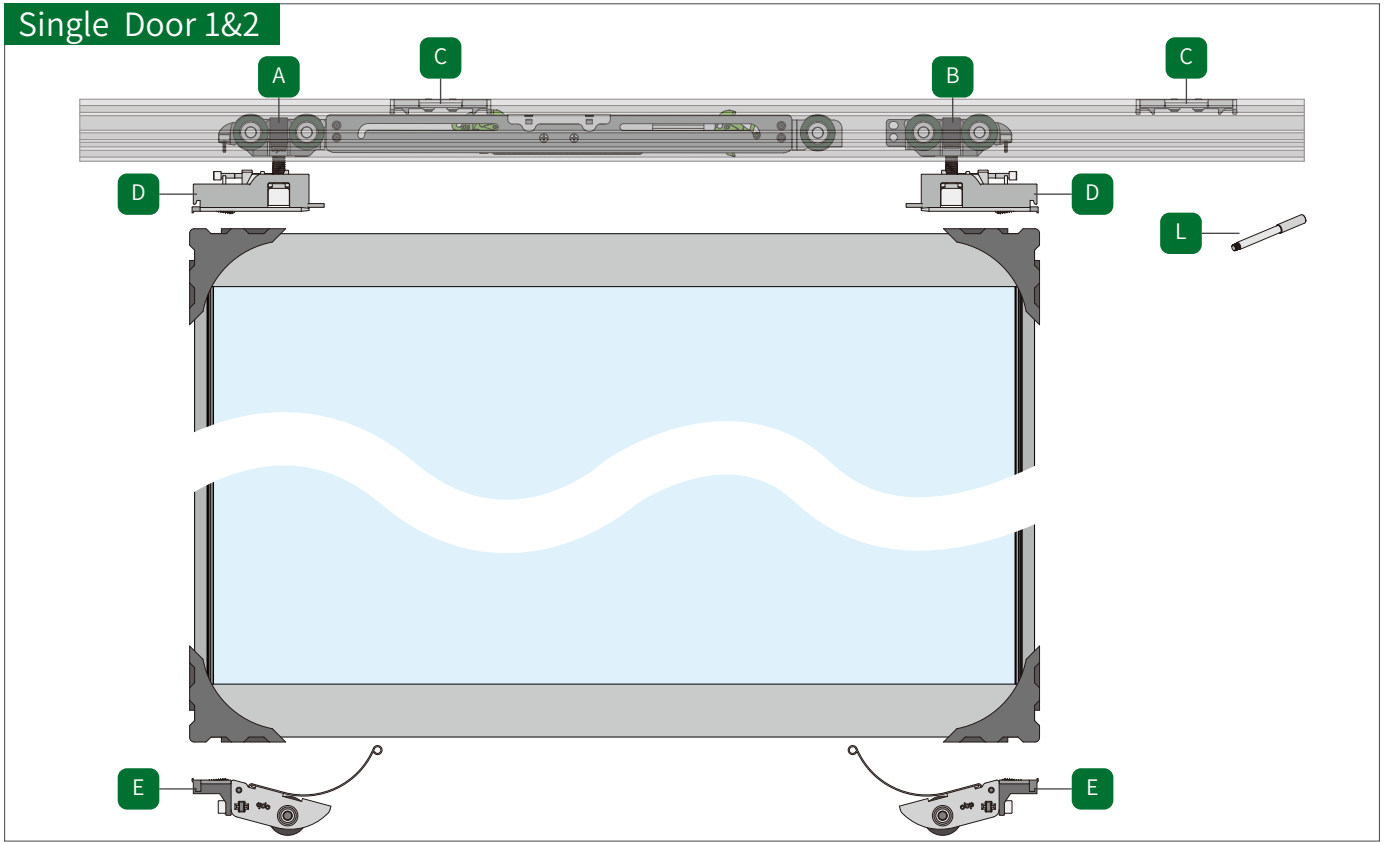
★ Note: The parameters are for reference only. Please make fine adjustments according to the actual situation on site.



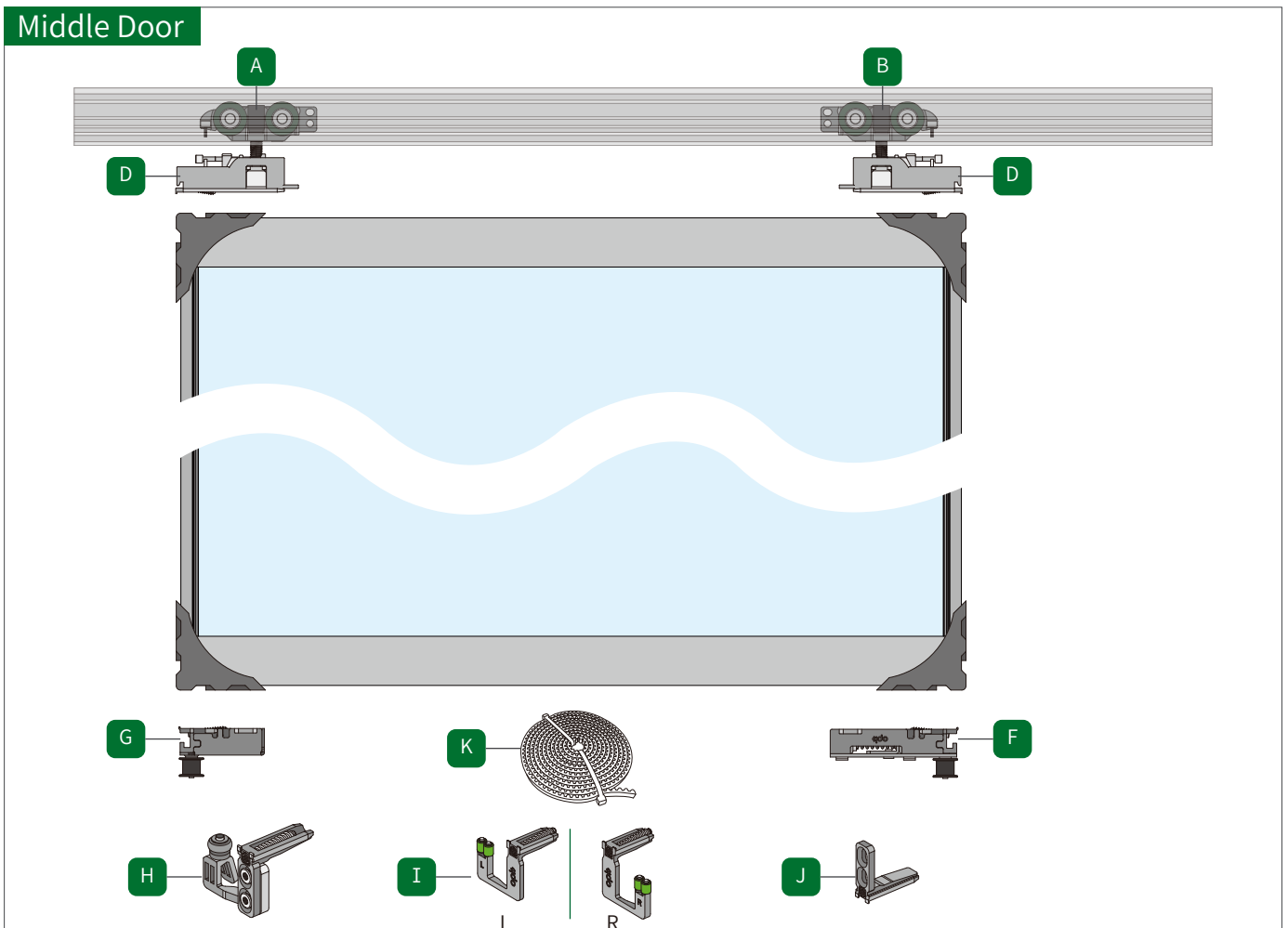


# Perfect Slim System Stacking 3 Doors Mounting Instruction

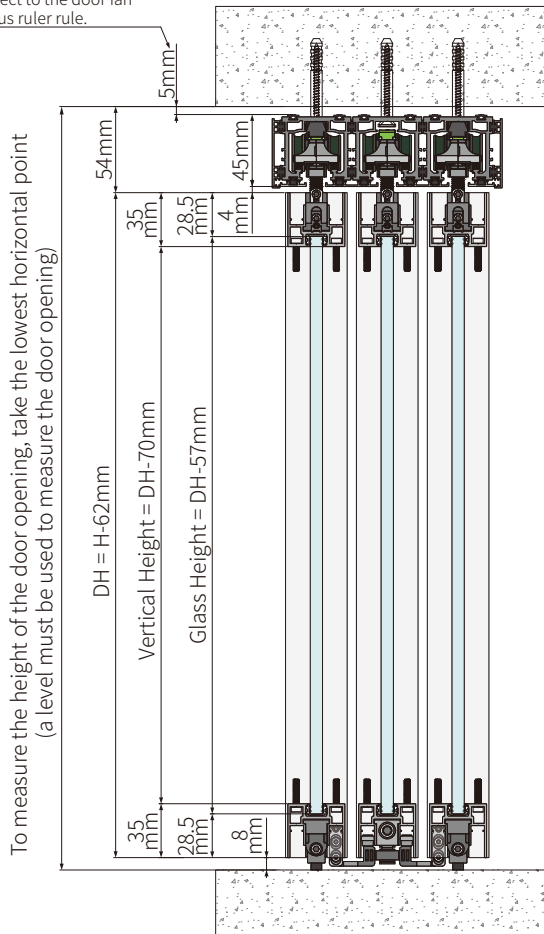
## Single Door 1&2



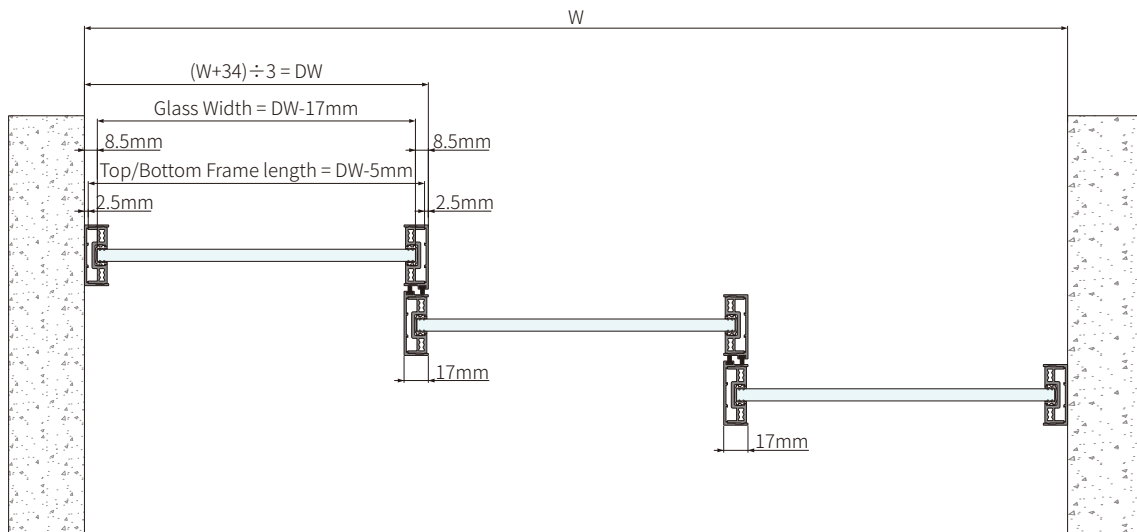
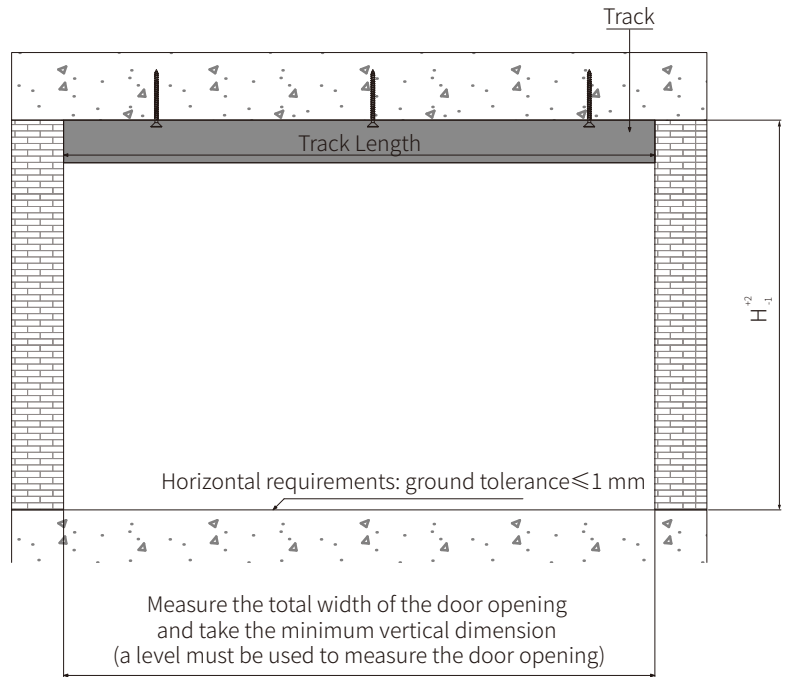
## Middle Door



This 5mm space is used to adjust the track level, The installation size is subject to the door fan minus ruler rule.



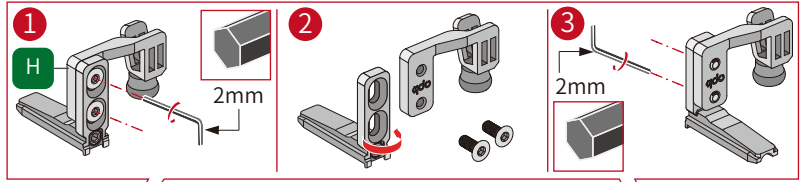
To measure the height of the door opening, take the lowest horizontal point (a level must be used to measure the door opening)



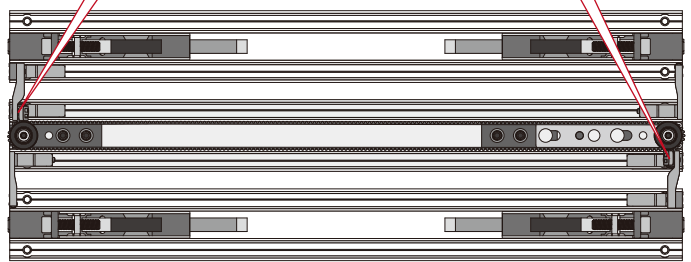
## Three Linkage (Left Opening) Accessories Diagram

**!**  
Choose Accessory Orientation

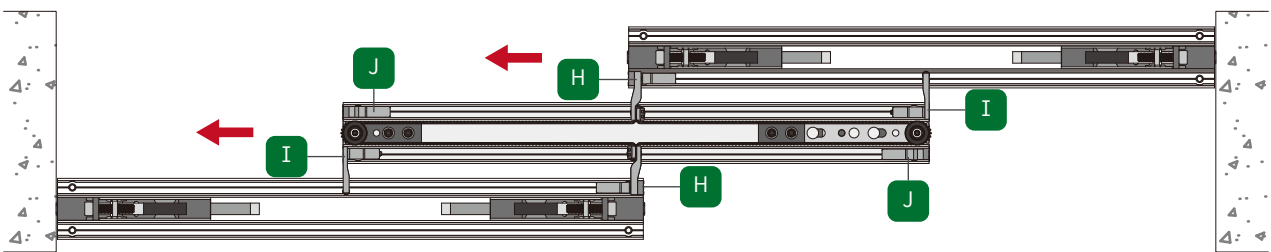
**I**  
Right



Single Door 2  
Middle Door  
Single Door 1



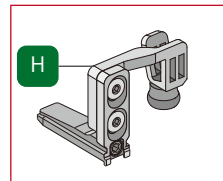
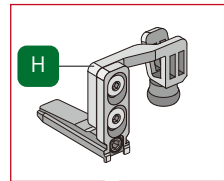
View from the bottom: Door opening to the left



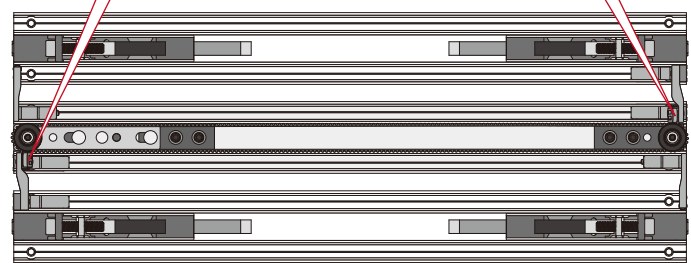
## Three Linkage (Right Opening) Accessories Diagram

**!**  
Choose Accessory Orientation

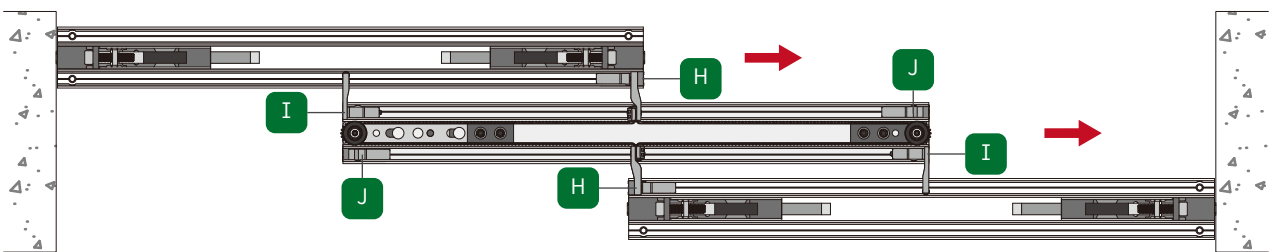
**I**  
Left



Single Door 2  
Middle Door  
Single Door 1



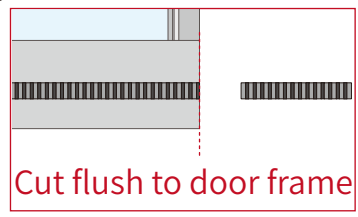
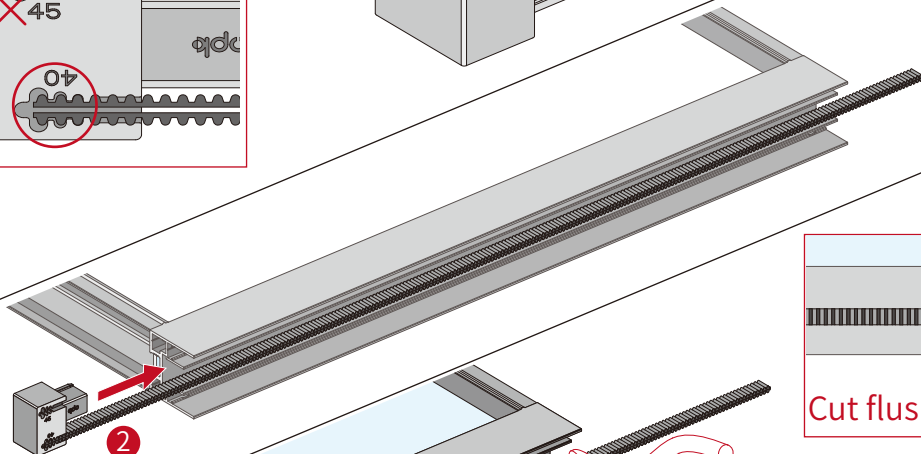
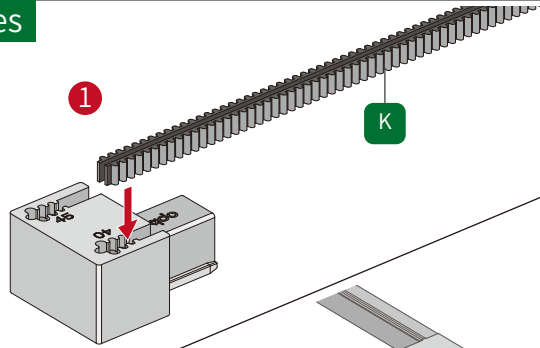
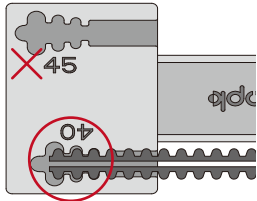
View from bottom: Door opening to the right



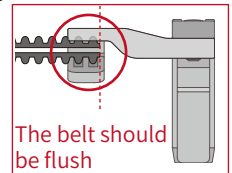
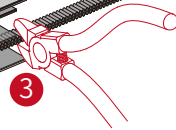
Take the front right door as an example, you can choose the opening direction according to your needs

## 1 Cut Belt Install Belt Accessories

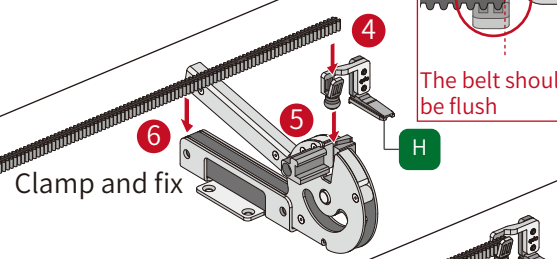
According to the width of the top and bottom horizontal profiles of the door panel, use of belt molds 40



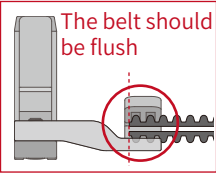
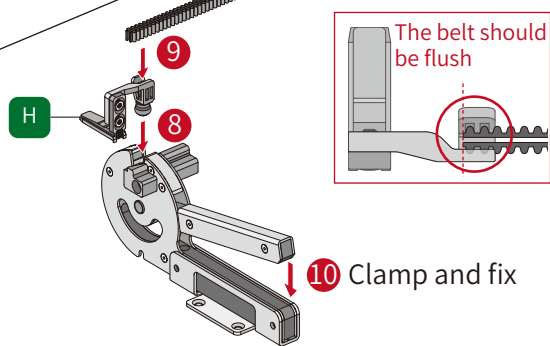
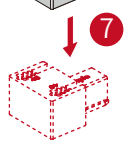
Cut flush to door frame



The belt should be flush



Clamp and fix



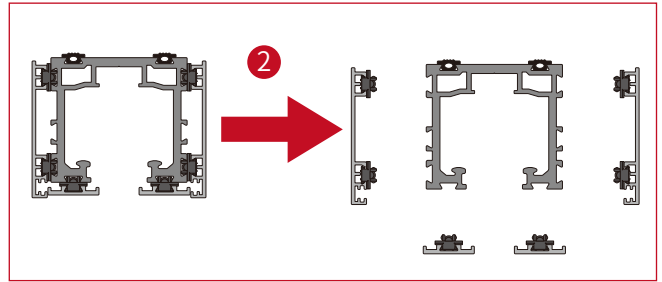
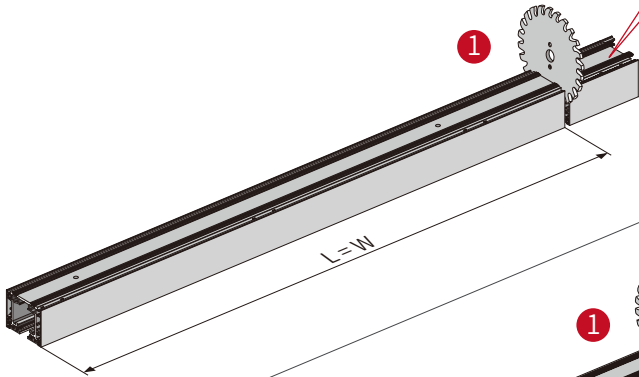
The belt should be flush

Clamp and fix

## 2 Cut the Profiles Disassemble the Profiles

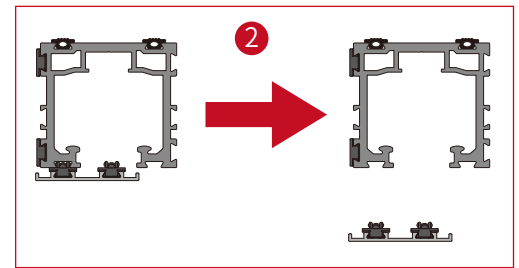
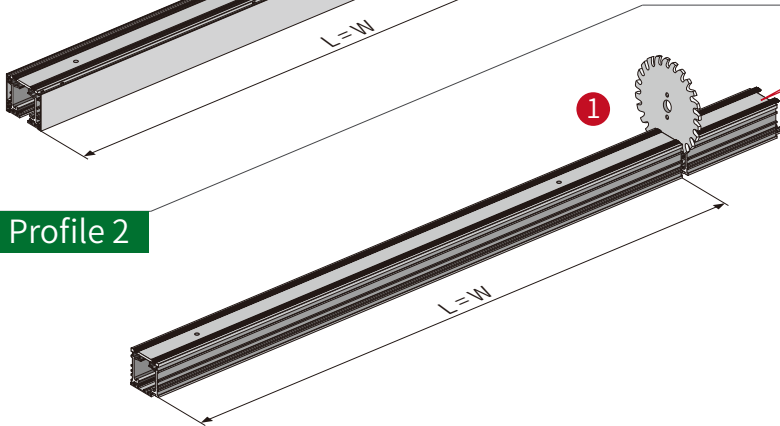
### Profile 1

⚠ Cutting from the uneven side of the profiles

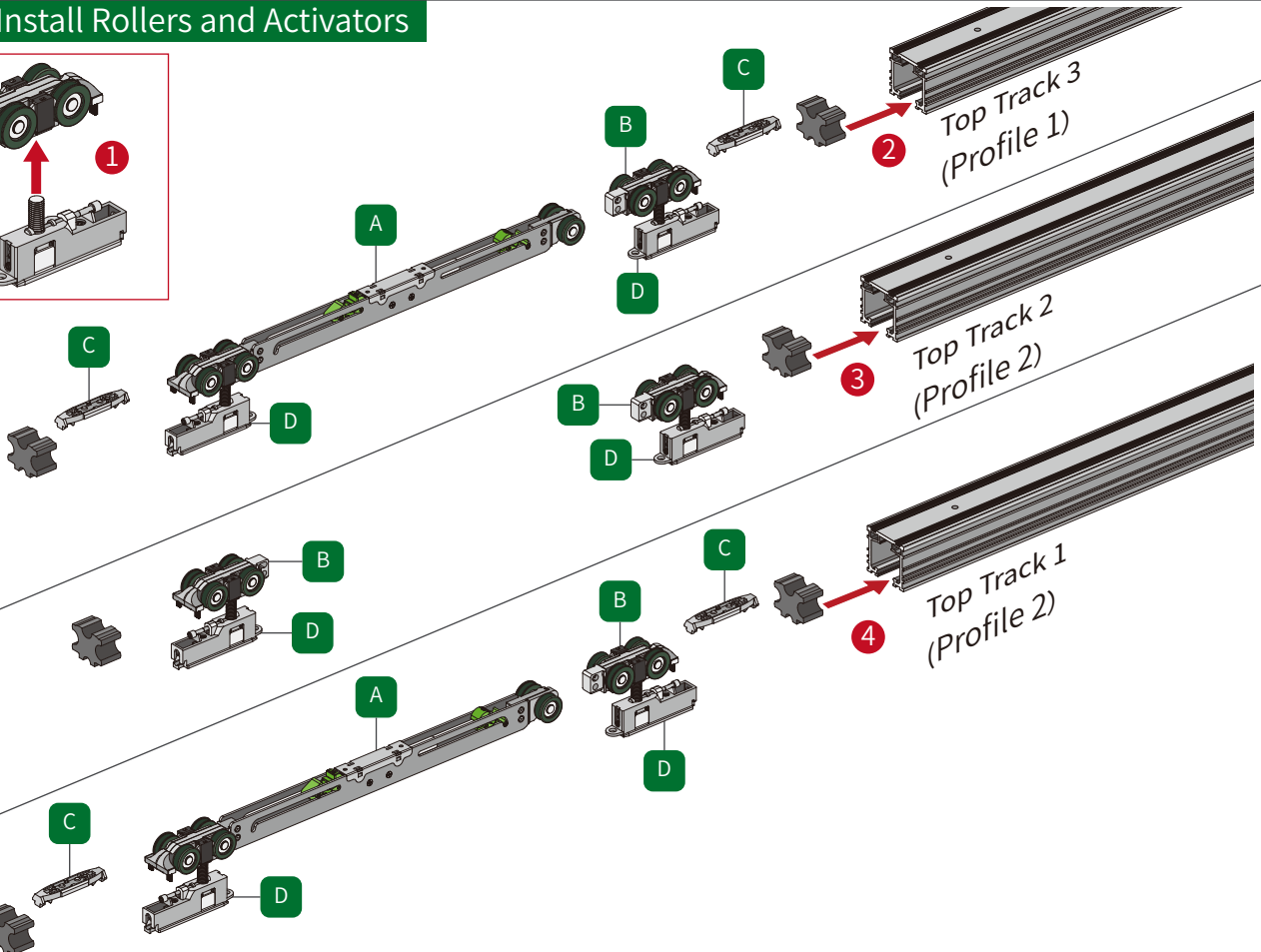
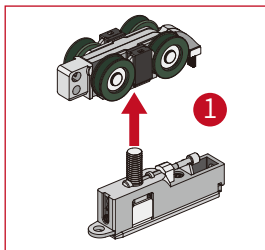


### Profile 2

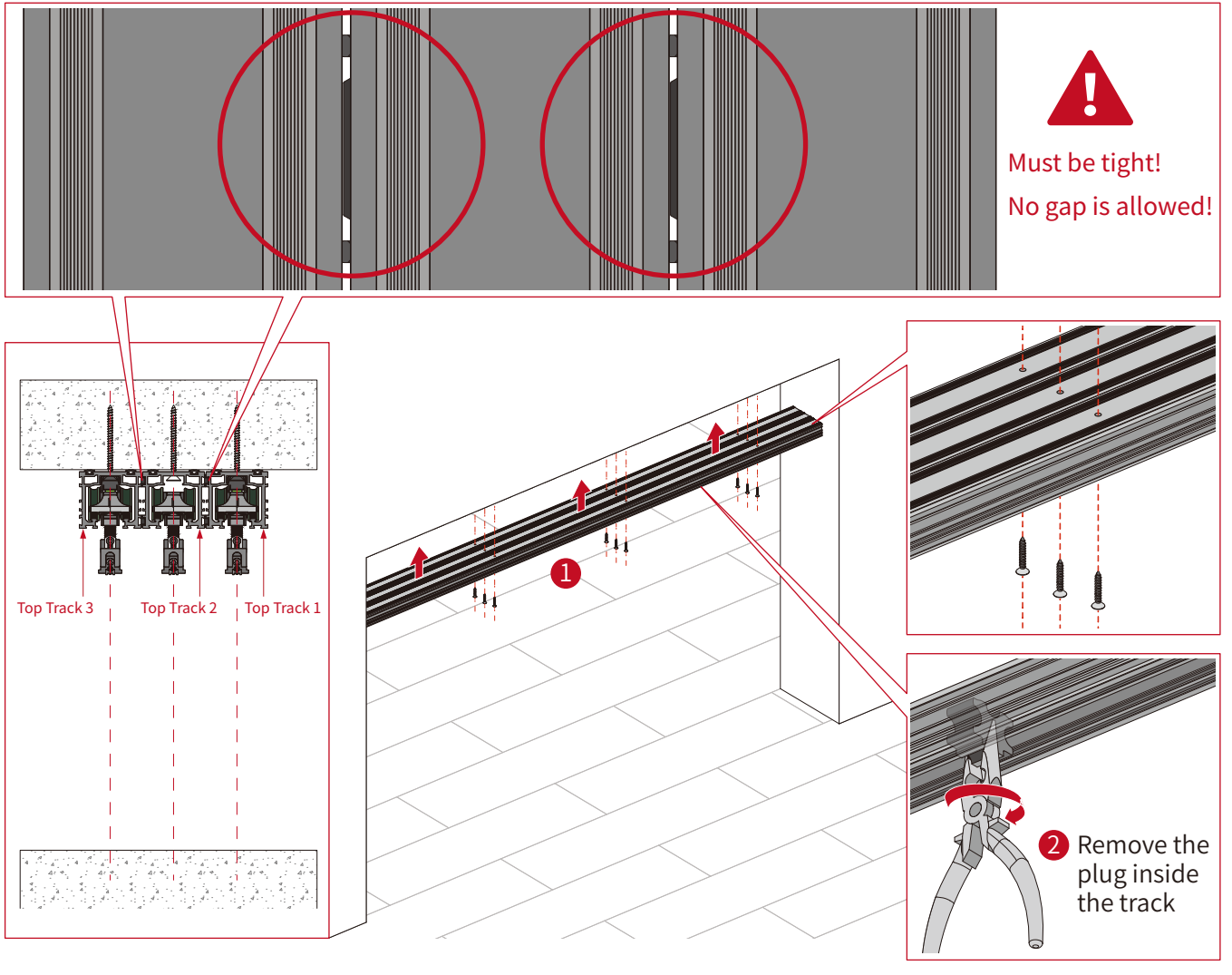
⚠ Cutting from the uneven side of the profiles



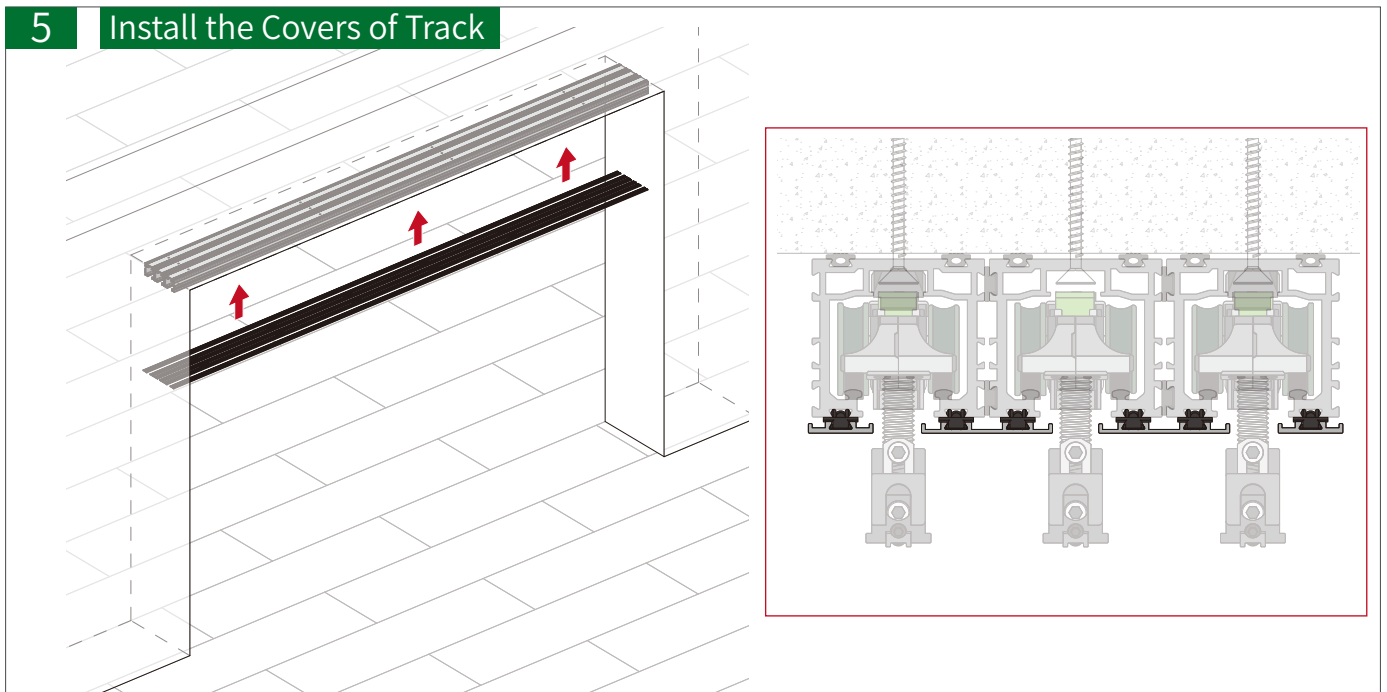
## 3 Install Rollers and Activators



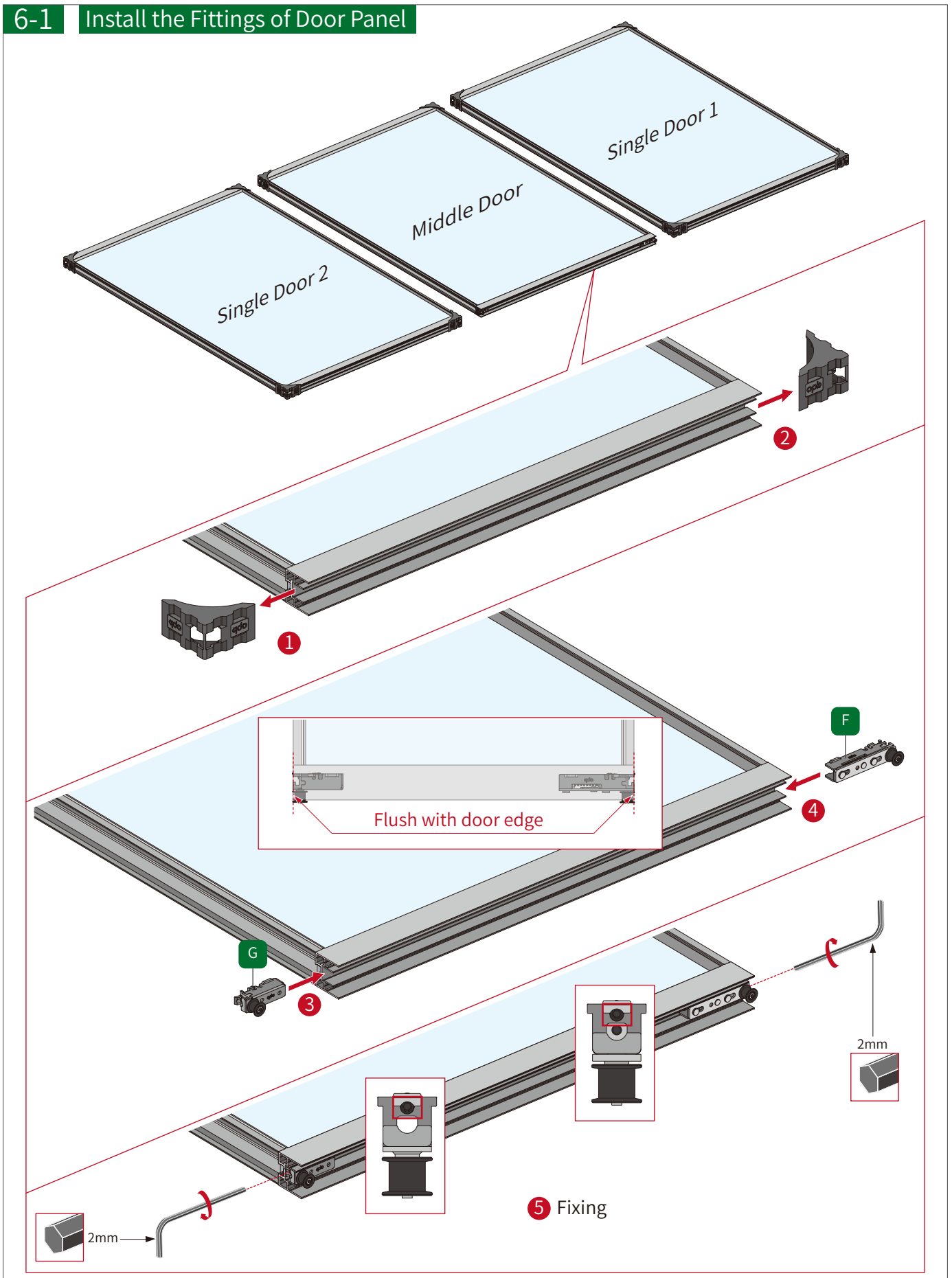
## 4 Install the Top Track



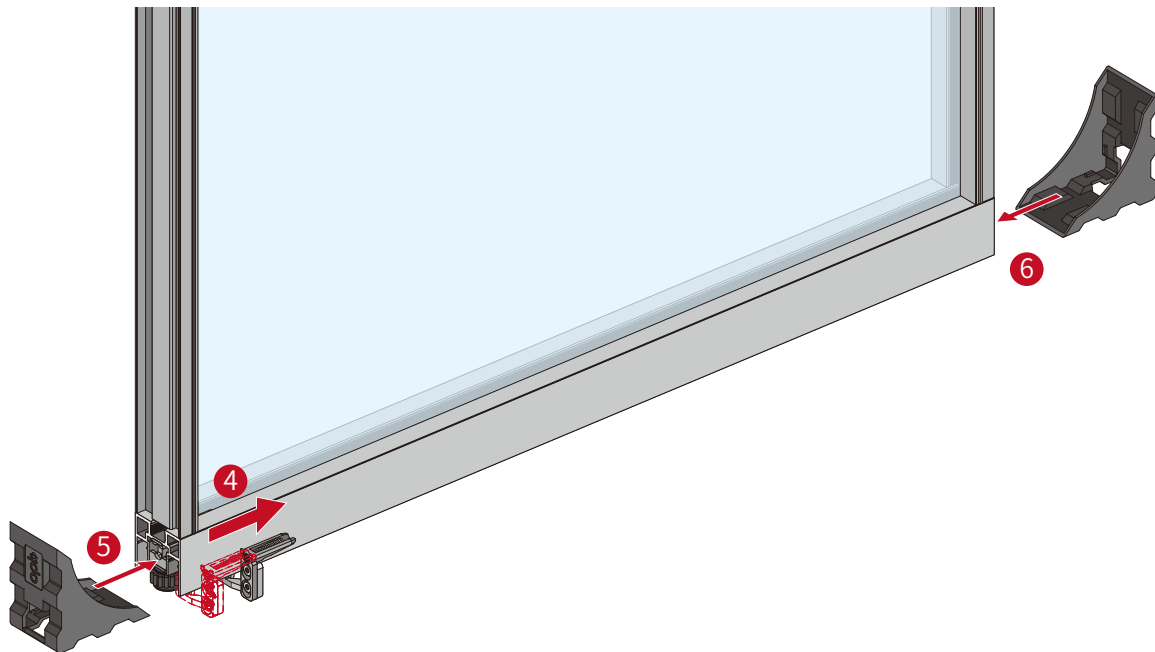
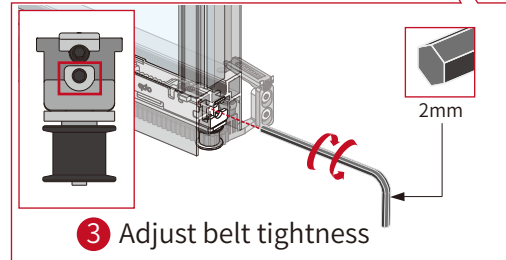
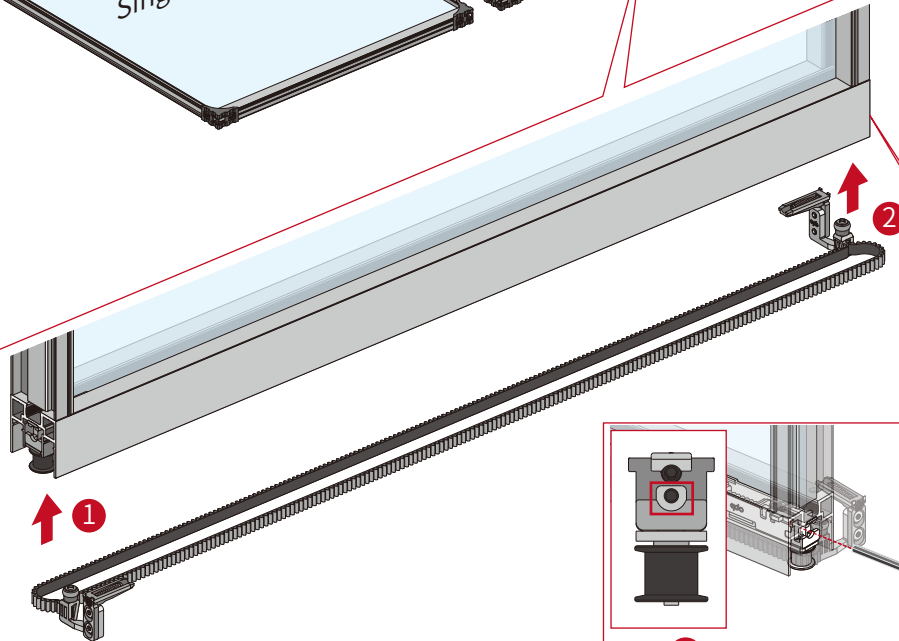
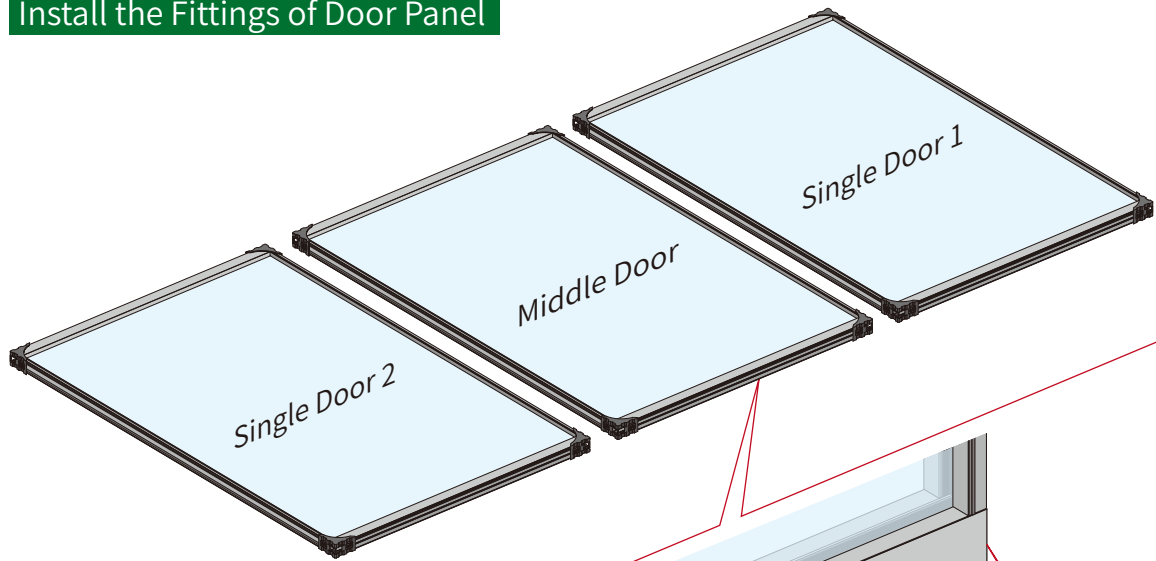
## 5 Install the Covers of Track

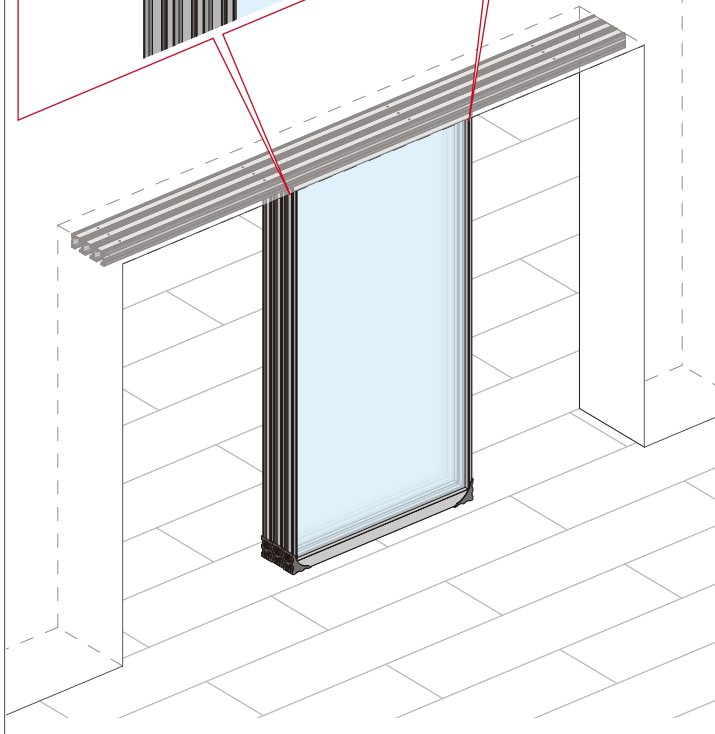
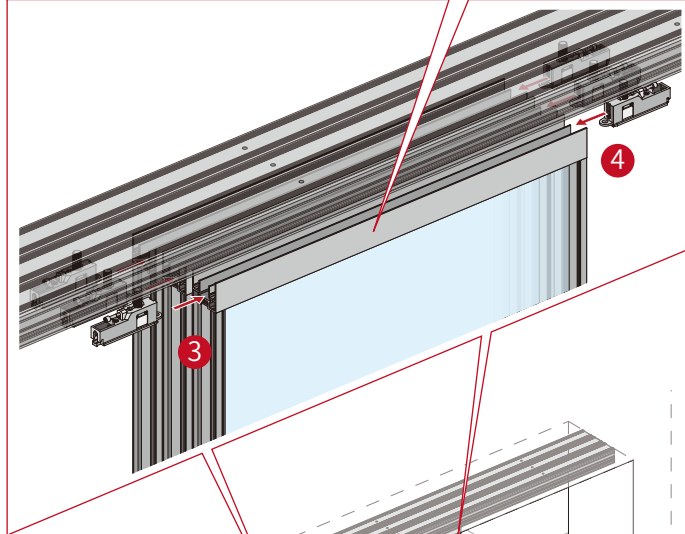
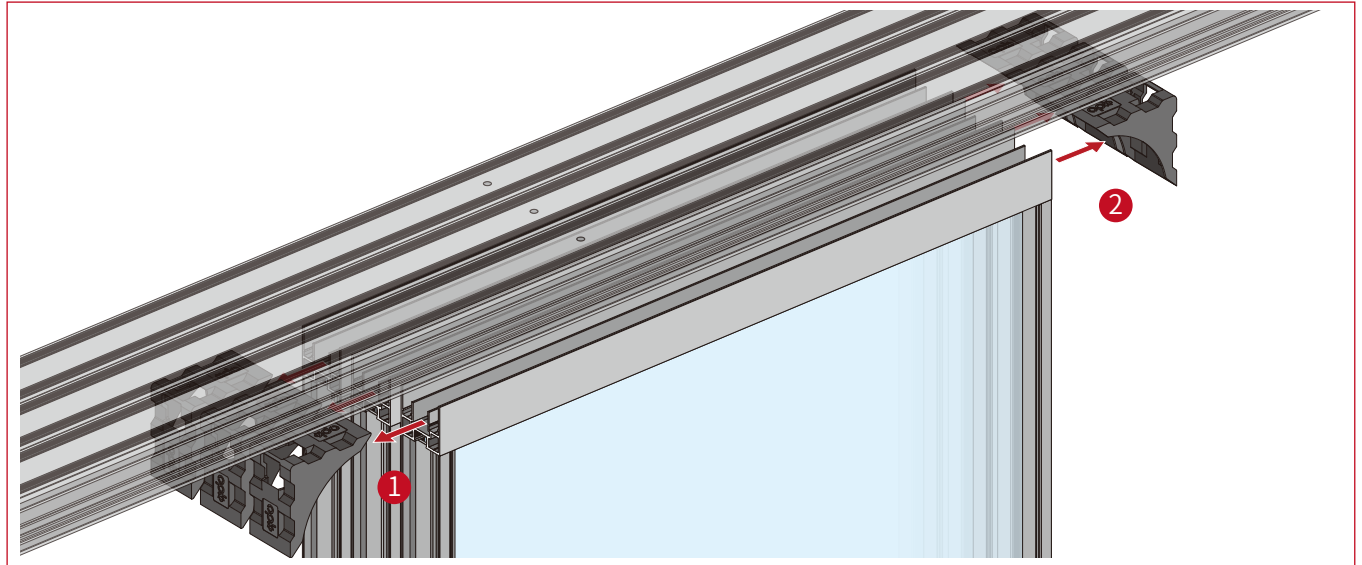


## 6-1 Install the Fittings of Door Panel

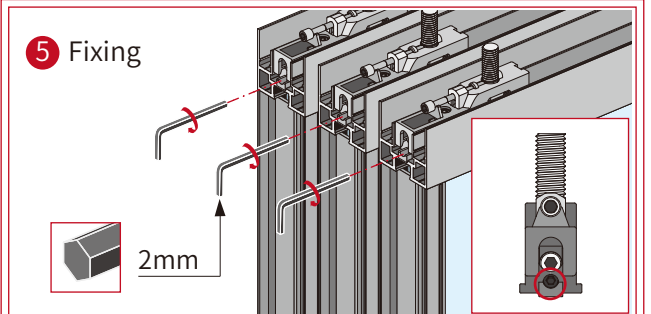


## 6-2 Install the Fittings of Door Panel

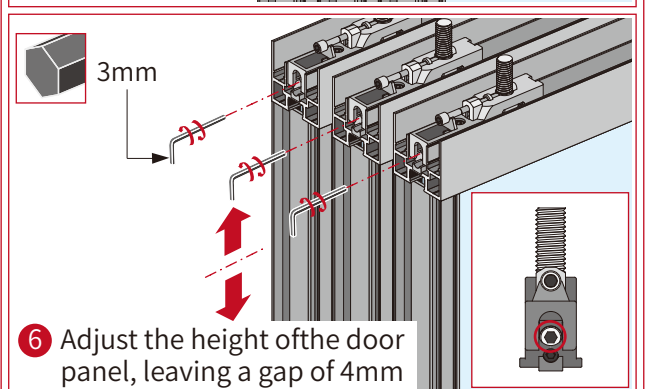




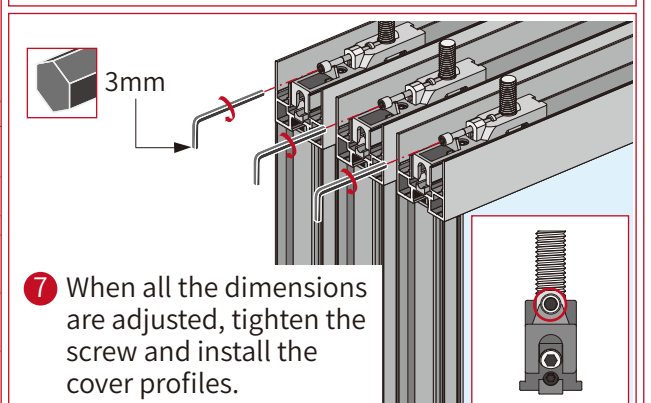
**5** Fixing

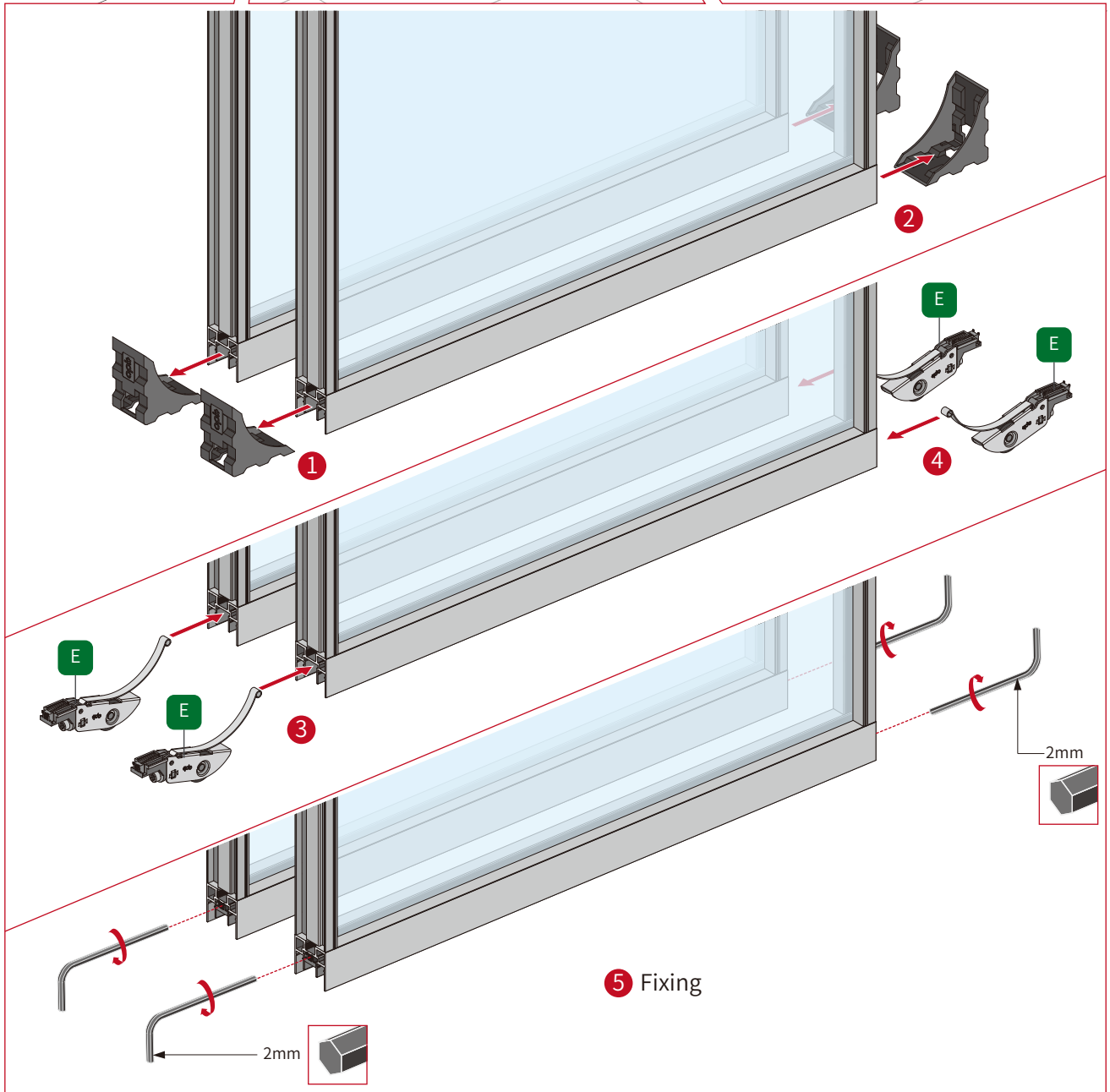


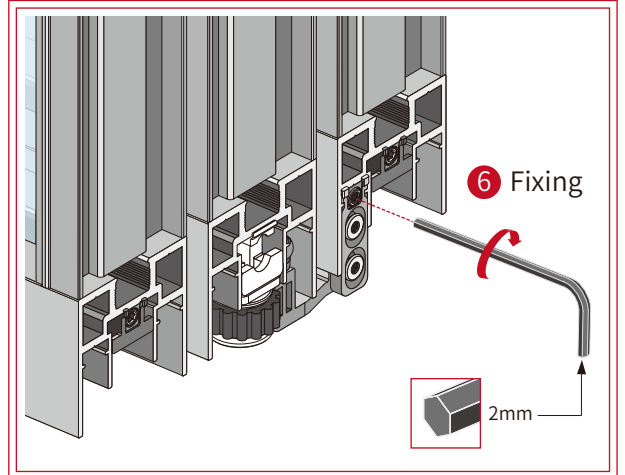
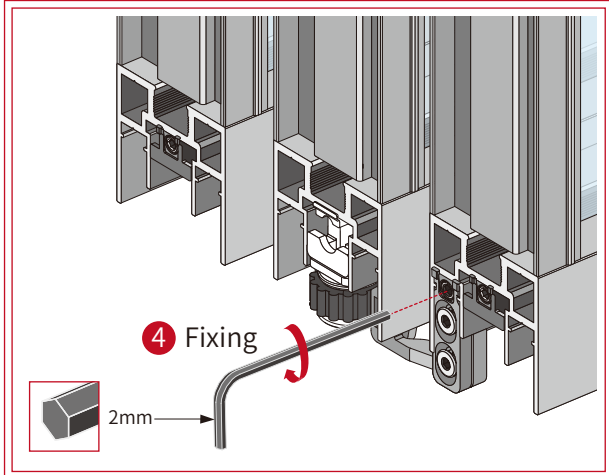
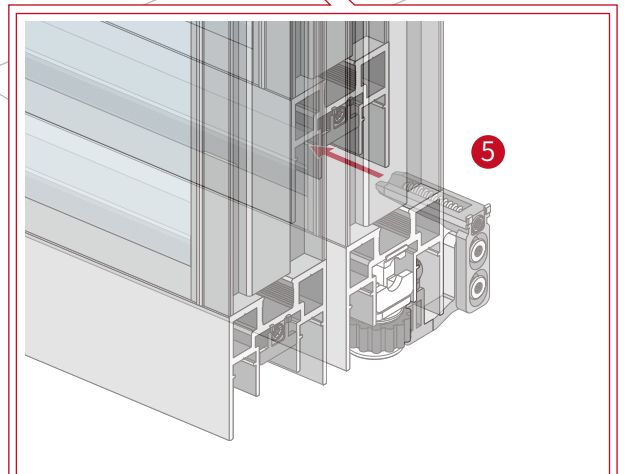
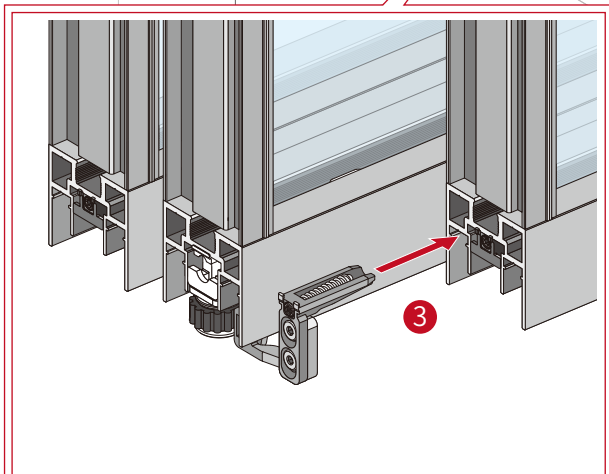
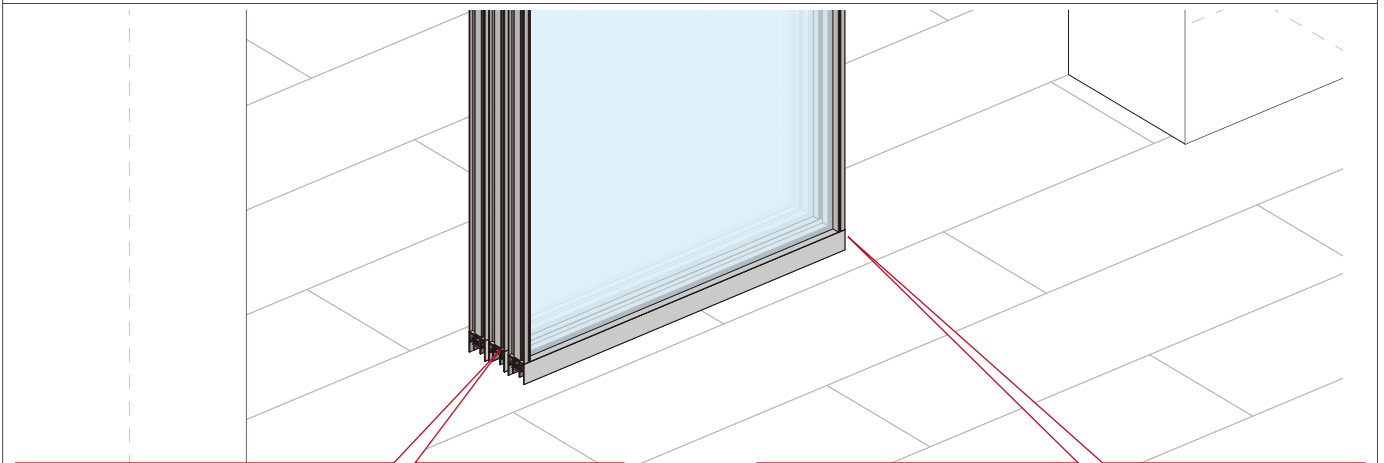
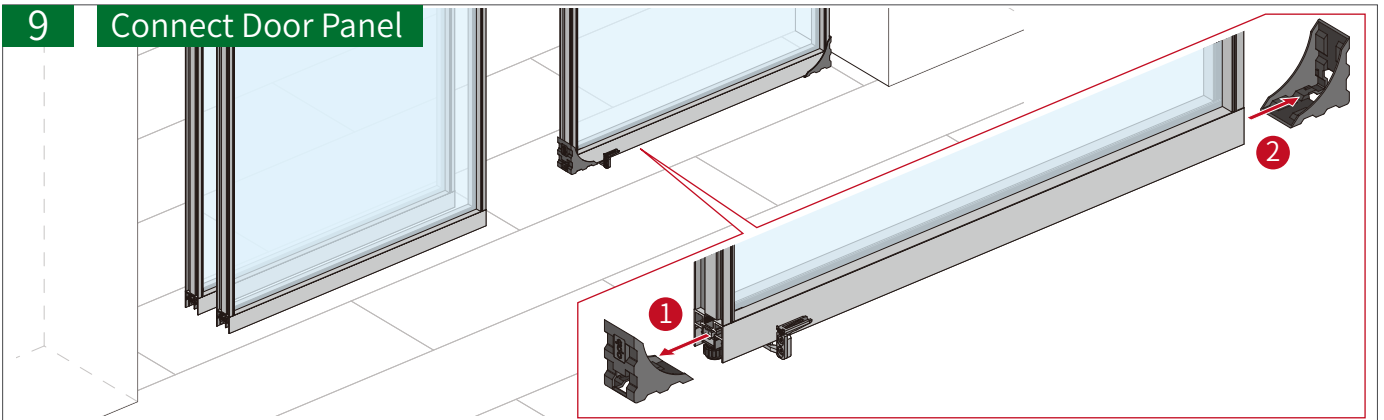
**6** Adjust the height of the door panel, leaving a gap of 4mm



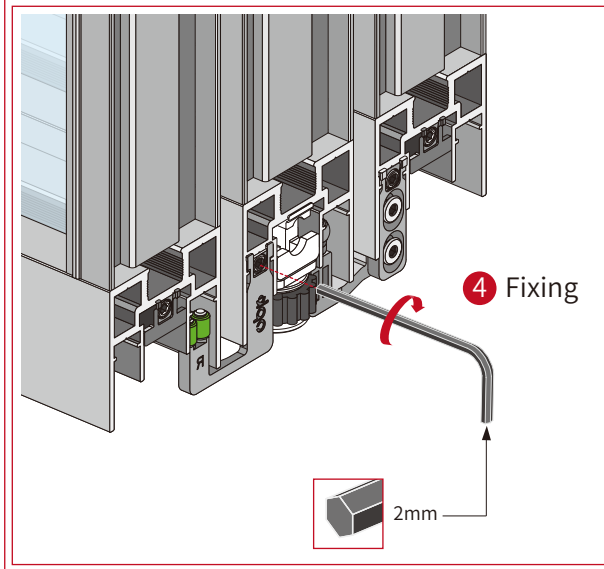
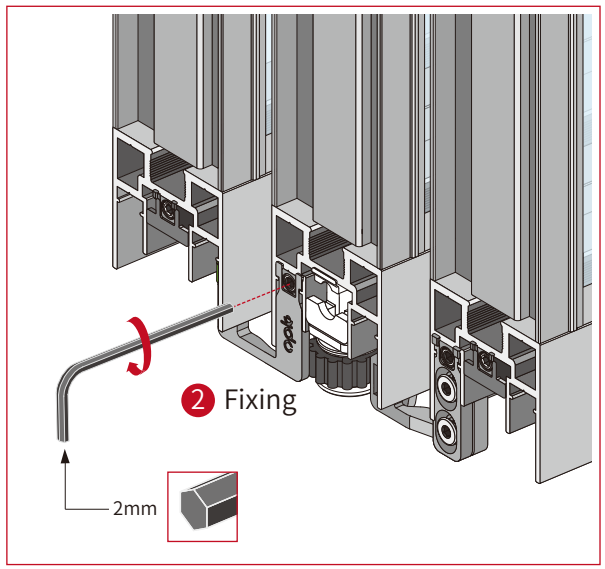
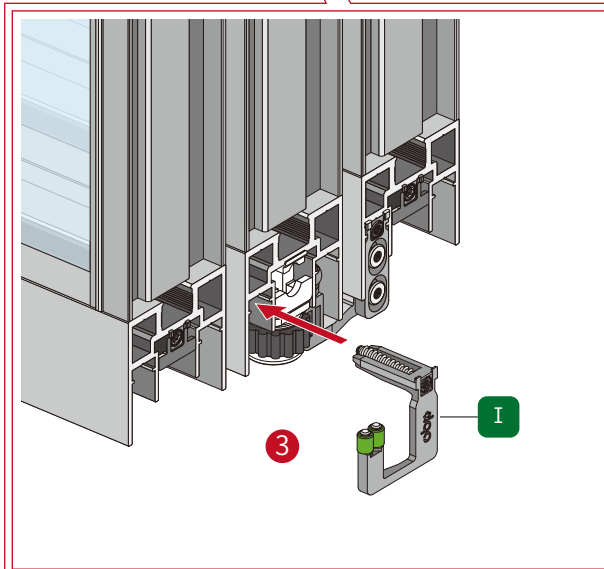
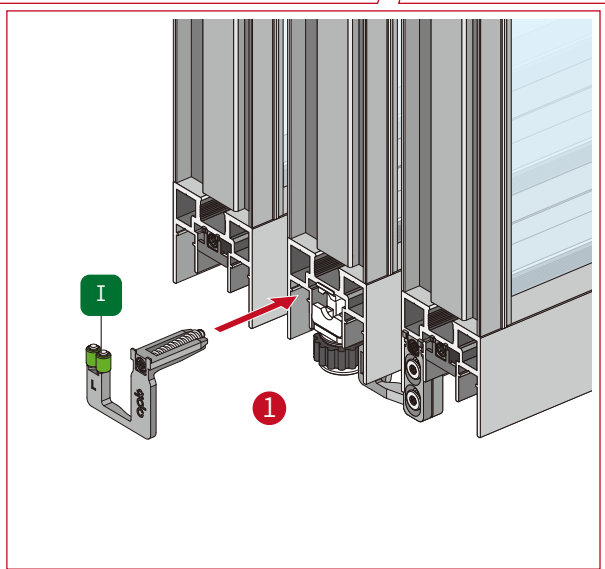
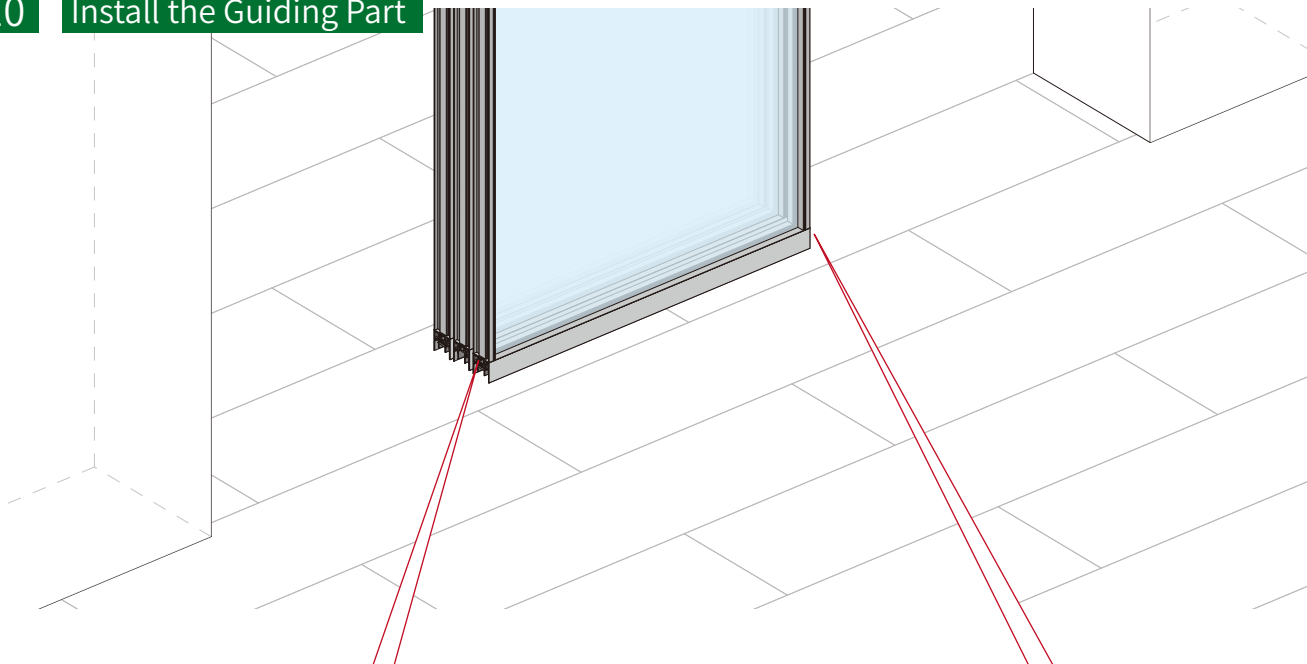
**7** When all the dimensions are adjusted, tighten the screw and install the cover profiles.



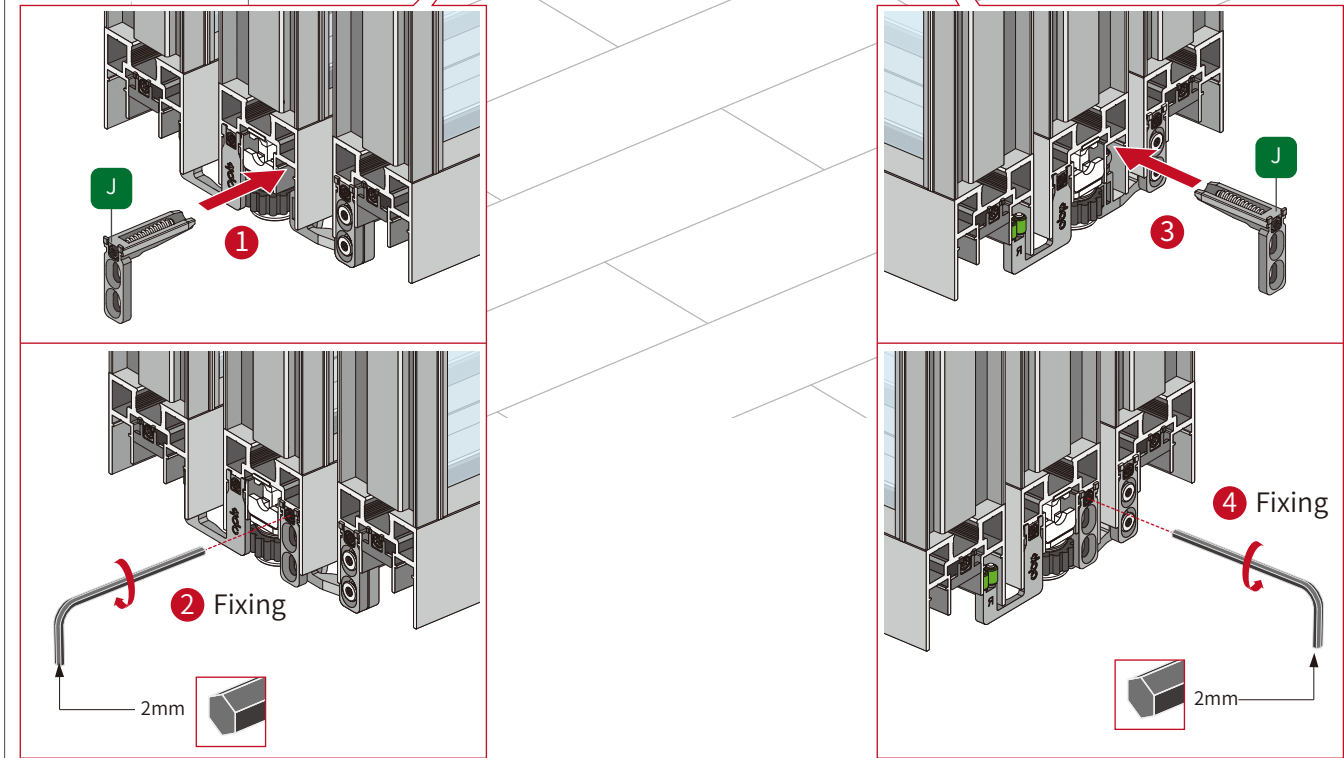




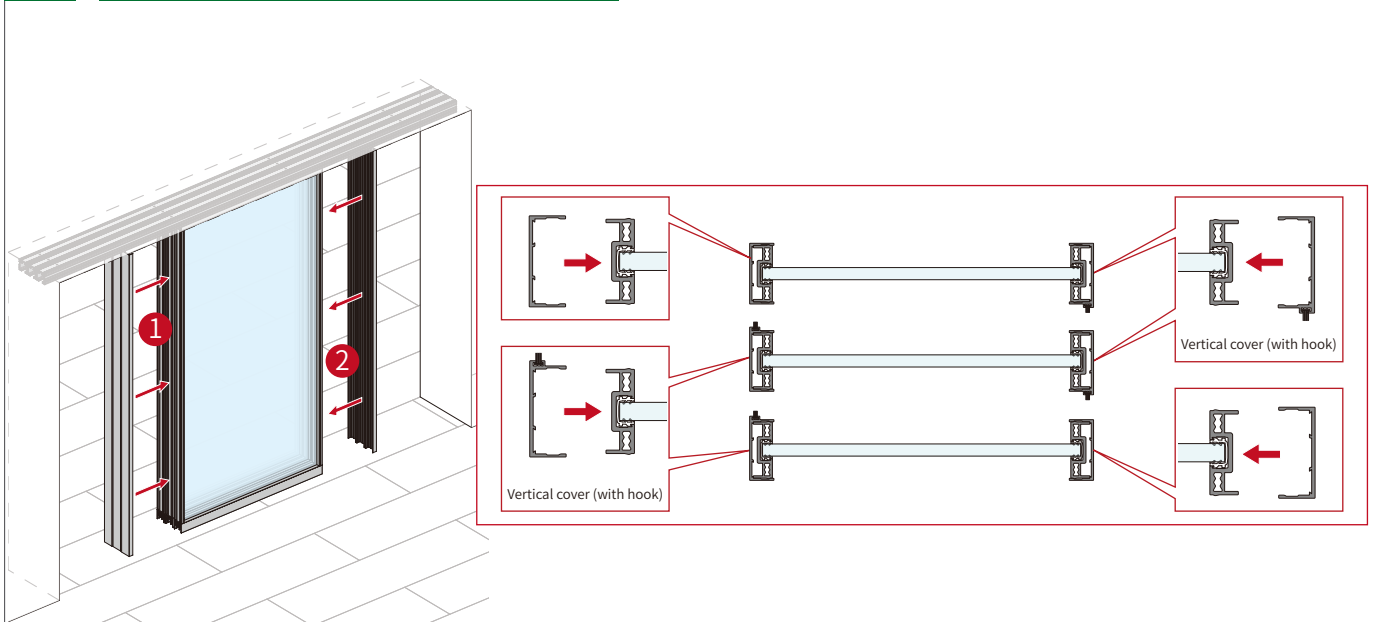
# 10 Install the Guiding Part



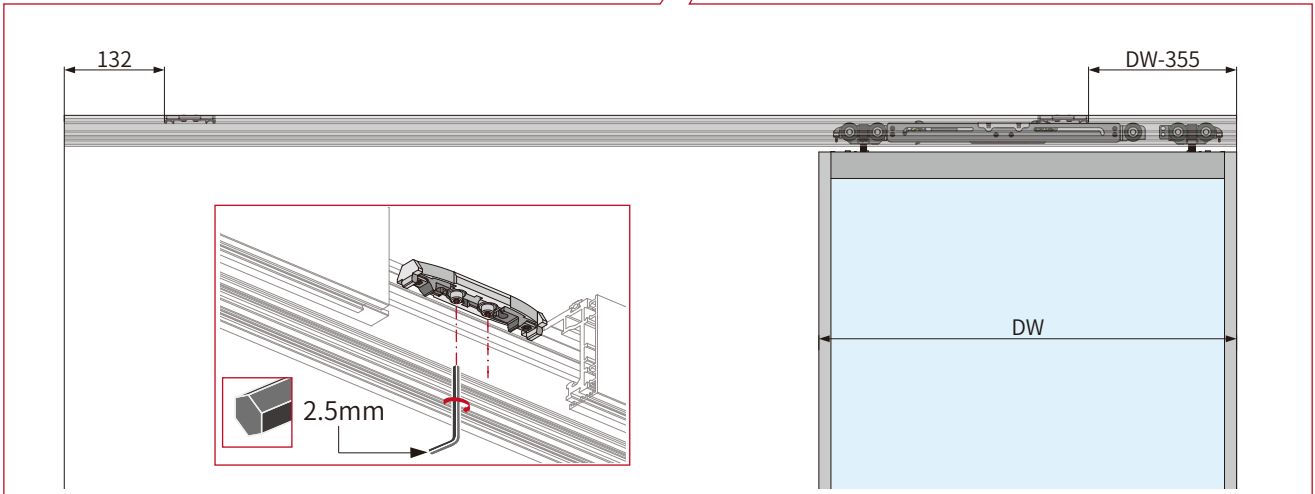
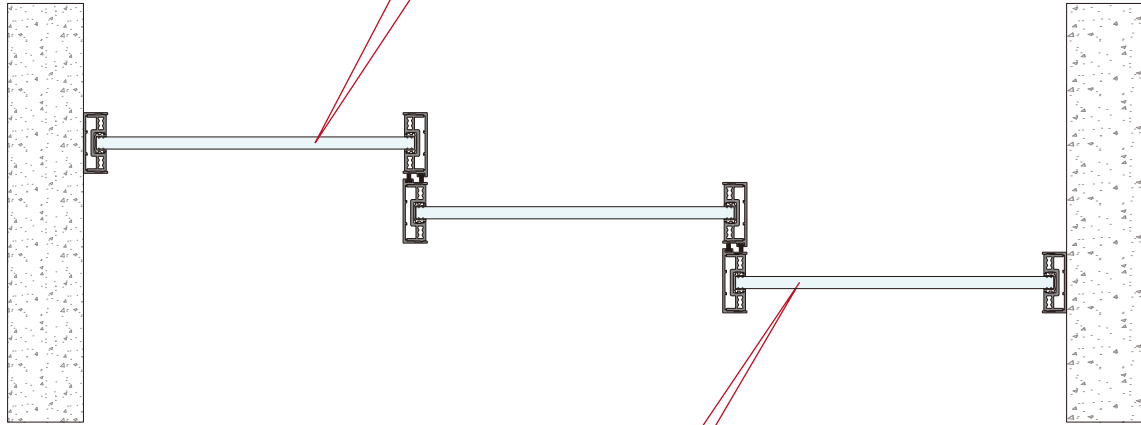
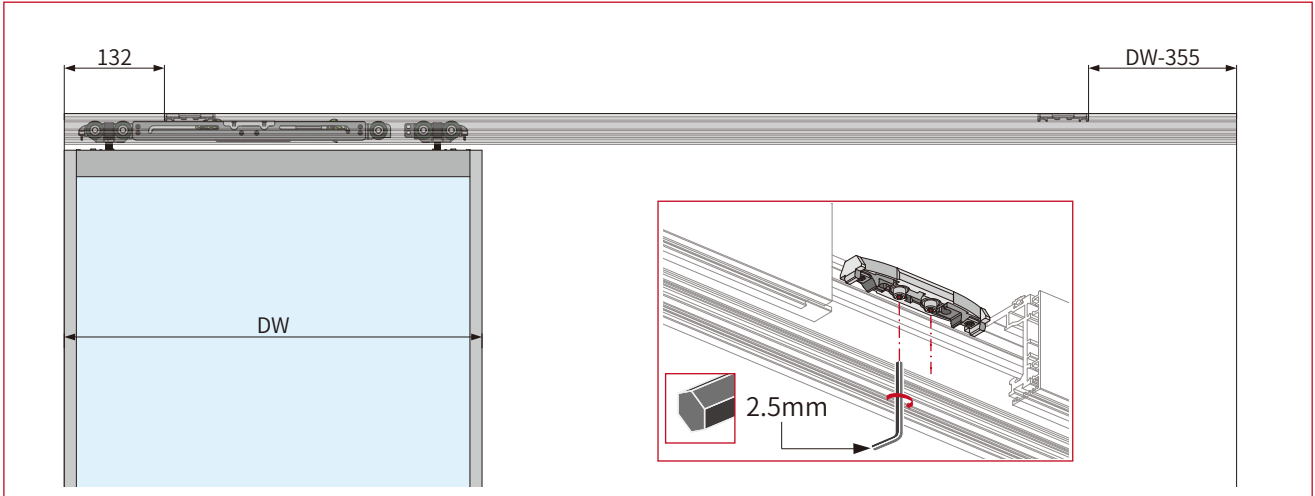
## 11 Install the Belt Clip Stop



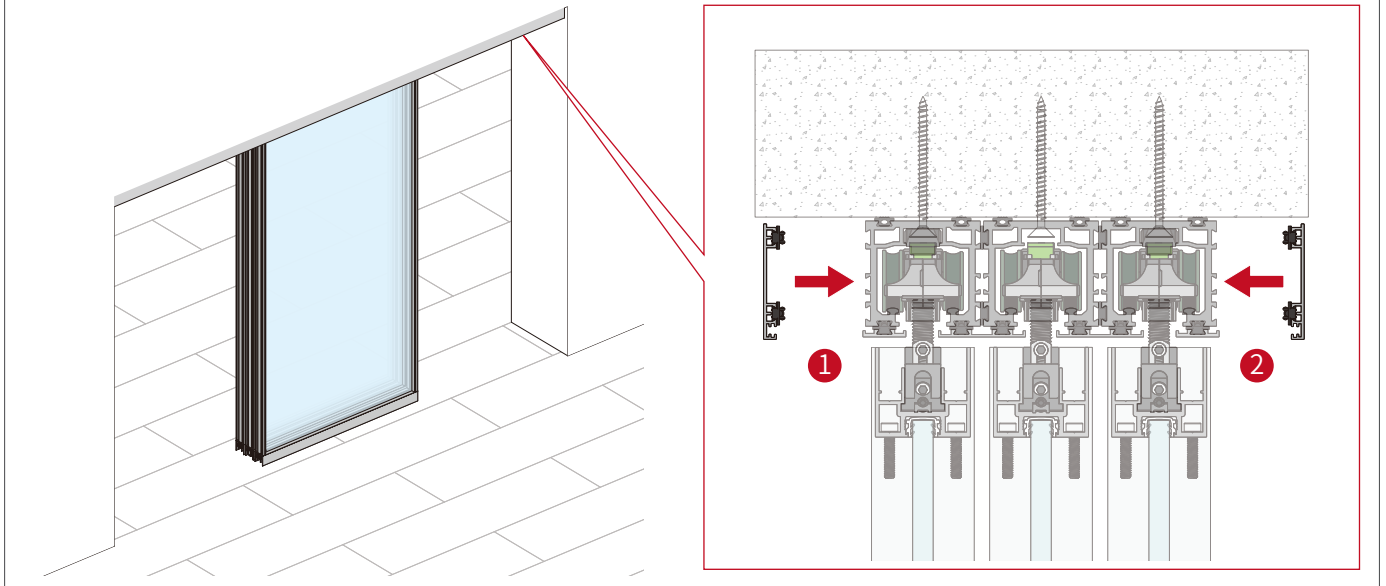
## 12 Install the Cover of Vertical Frame



# 13 Activator Position

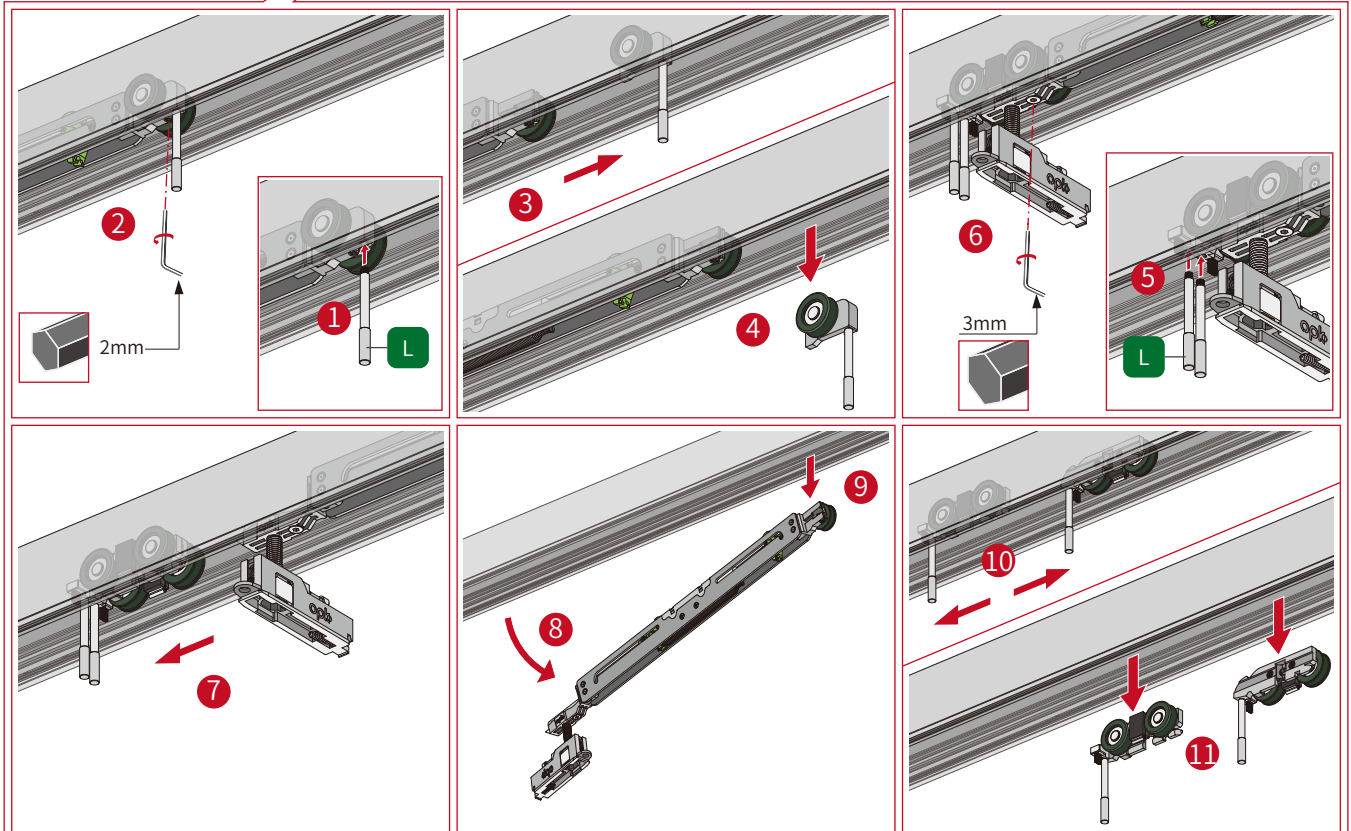
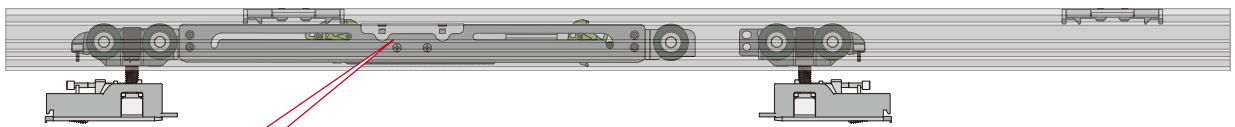


## 14 Install the Cover of Track



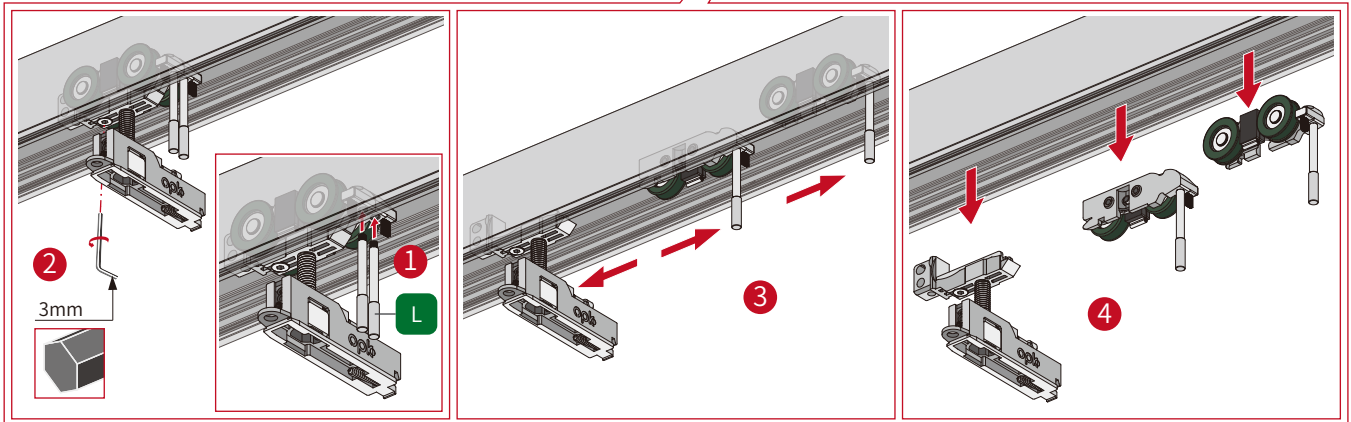
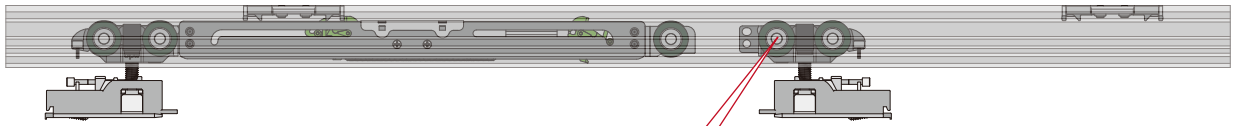
## Maintenance & Replacing

### Disassemble Running Part



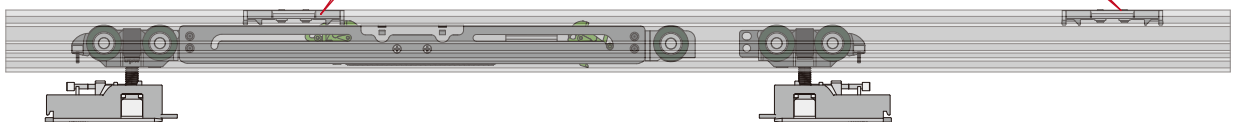
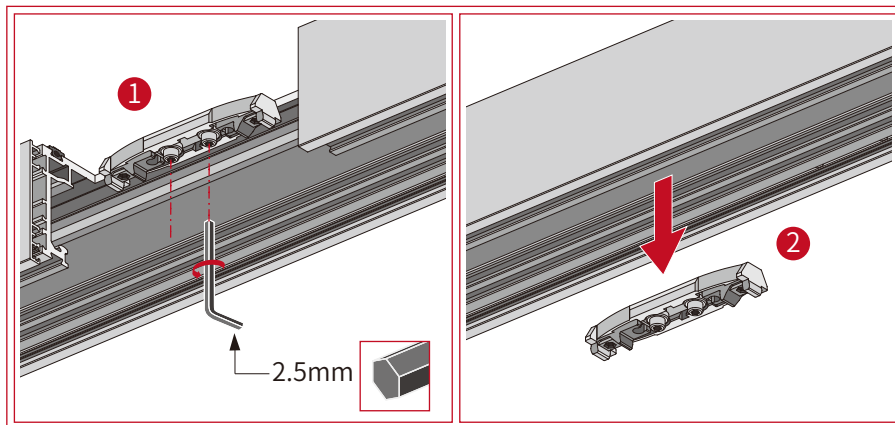
## Maintenance & Replacing

### Disassemble Running Part



## Maintenance & Replacing

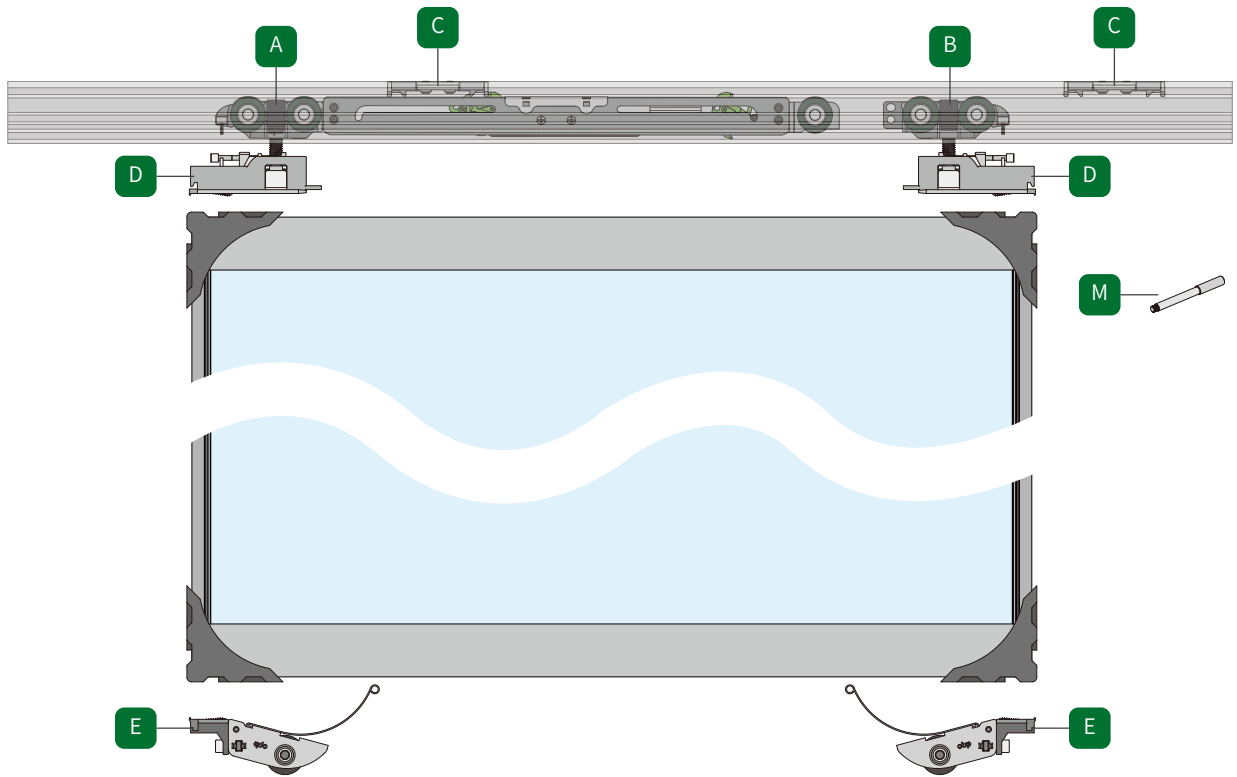
### Replacing Activator



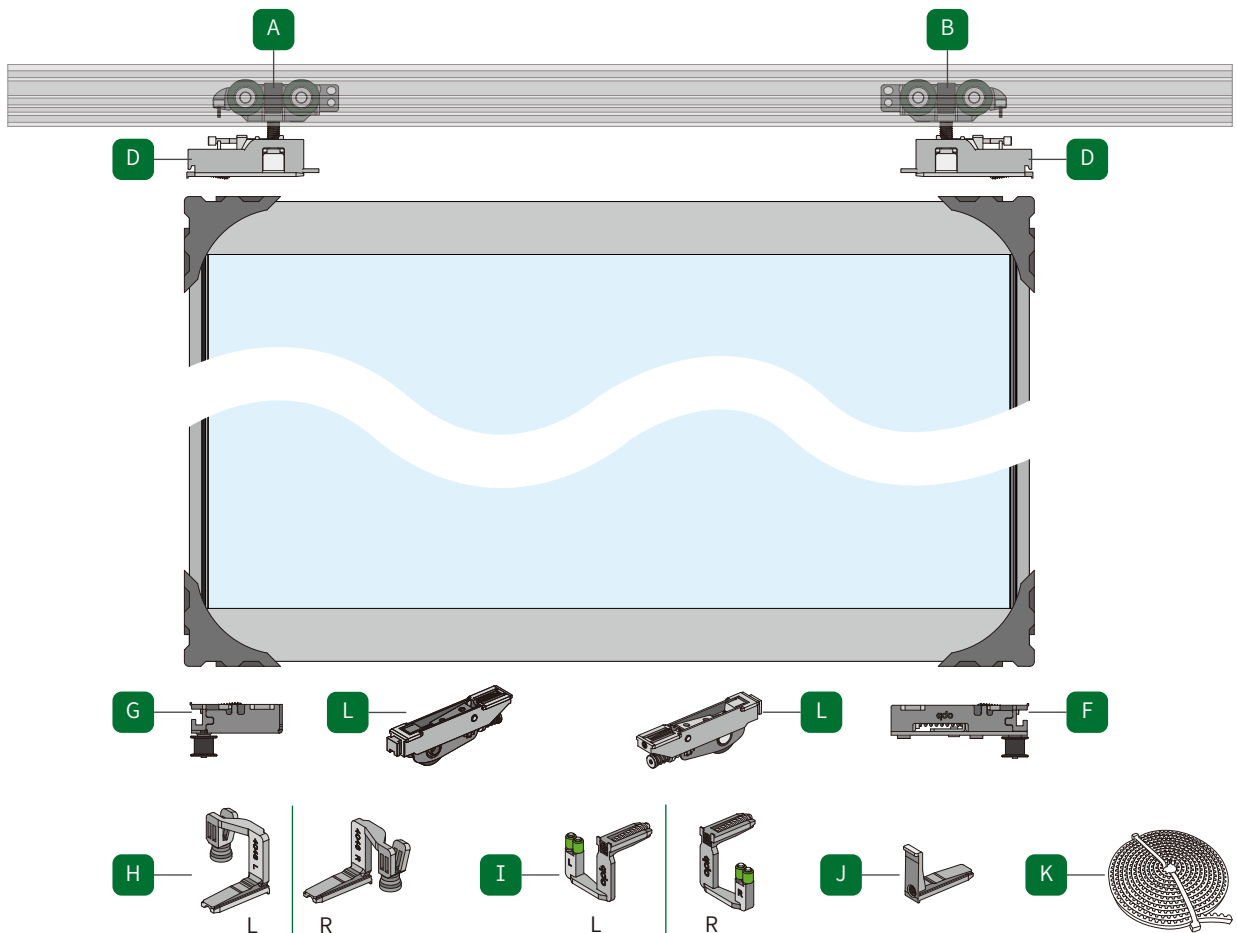
# Perfect Slim System

## Multiple Doors (≥ 4 doors) Mounting Instruction

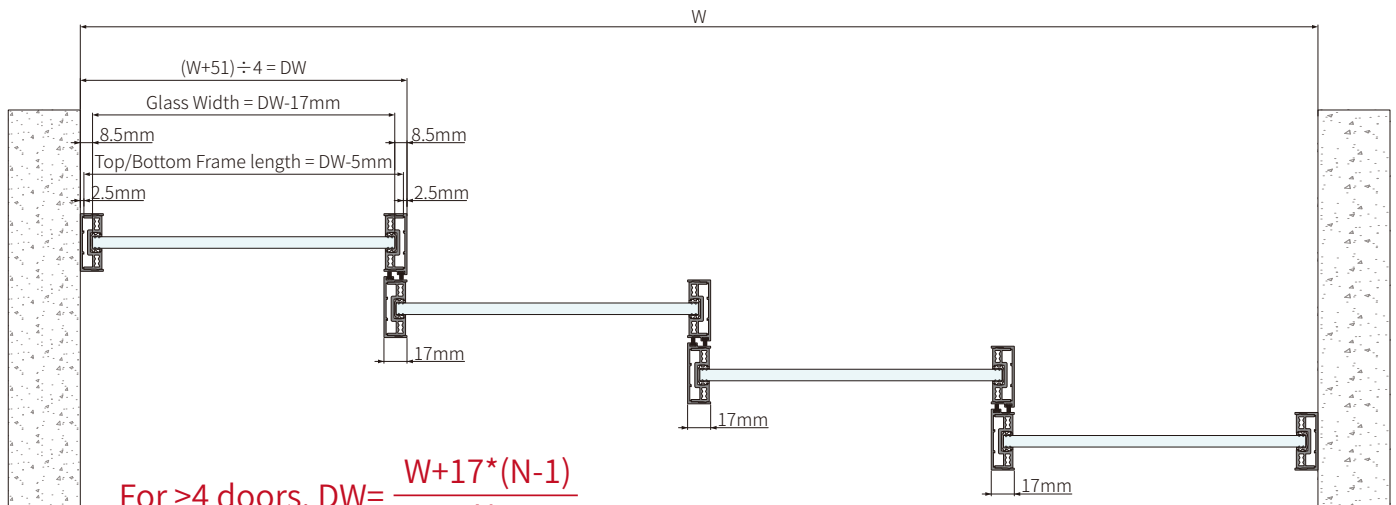
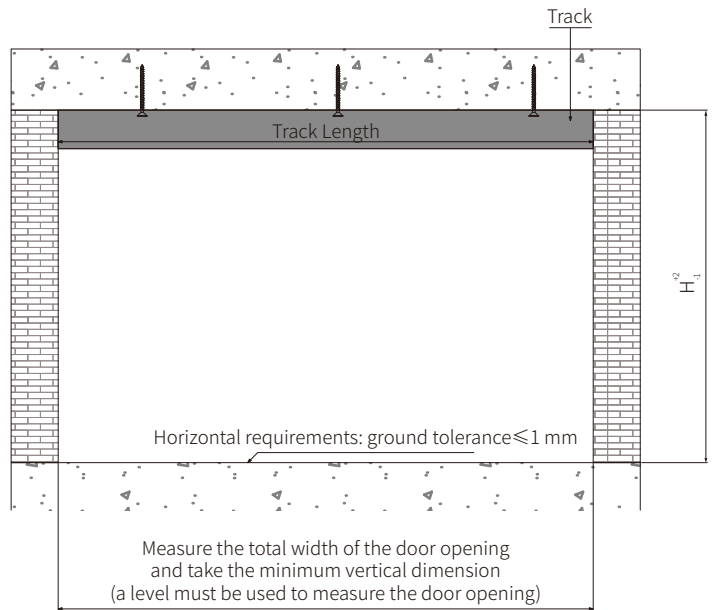
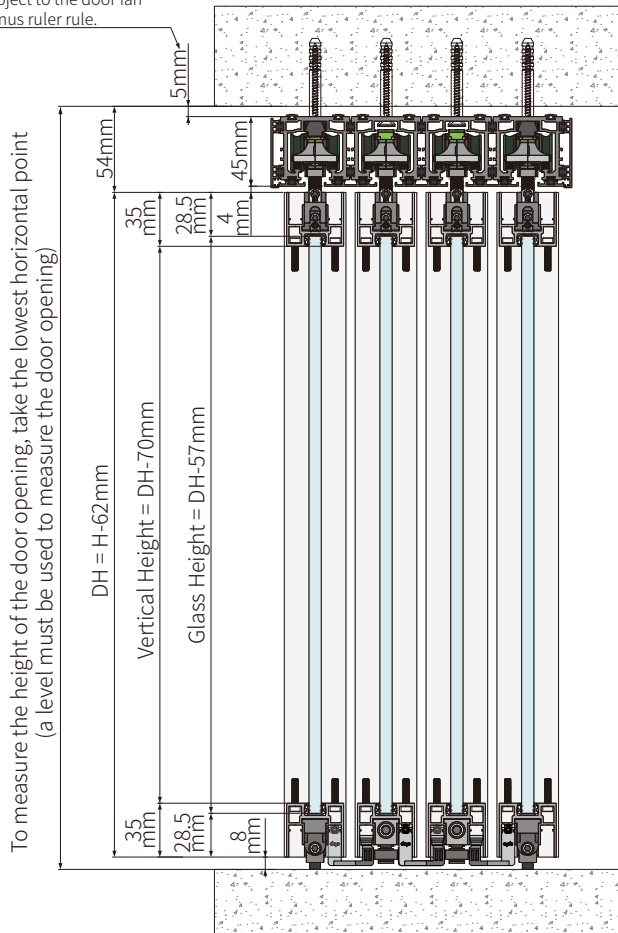
### Single Door 1 & 2



### Middle Door 1 & 2



This 5mm space is used to adjust the track level, The installation size is subject to the door fan minus ruler rule.



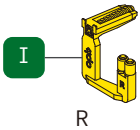
For >4 doors,  $DW = \frac{W + 17 * (N - 1)}{N}$

N: Door panel quantity

## 4 Doors (Left Opening) Accessories Diagram



Choose Accessory Orientation



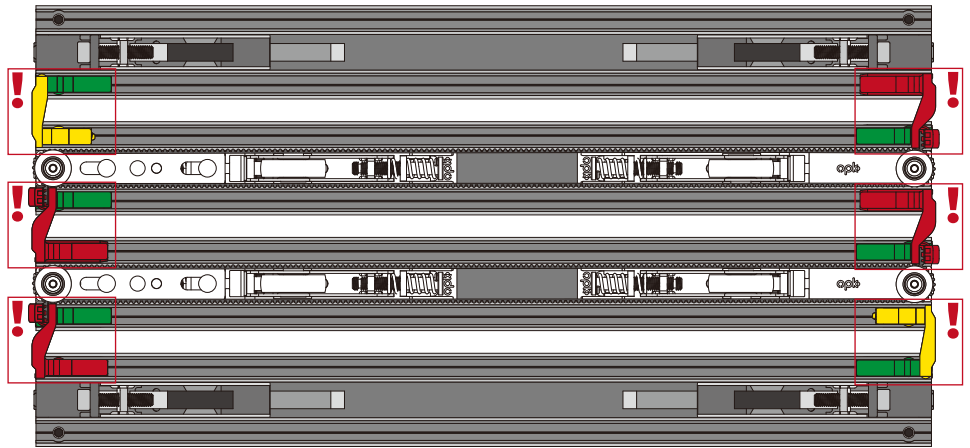
Single Door 2

Middle Door 2

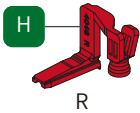
Middle Door 1

Single Door 1

View from bottom

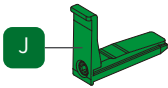


Connector

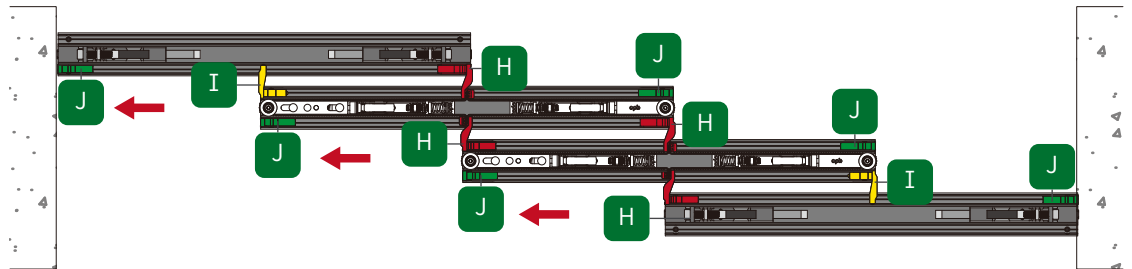


View from the bottom: Door opening to the left

Anti-push pull piece



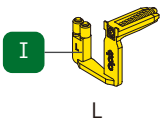
After the door panel is connected but the anti-push pull piece is not installed, do not push or pull the door panel.



## 4 Doors (Right Opening) Accessories Diagram



Choose Accessory Orientation



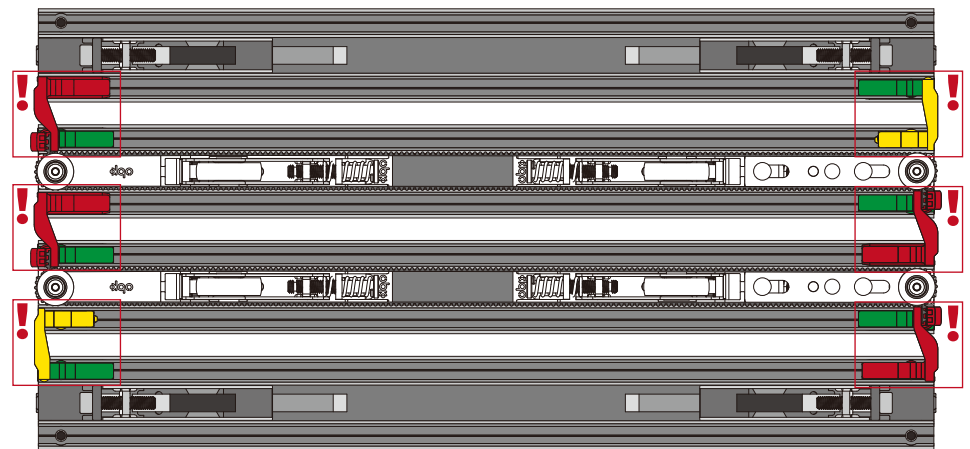
Single Door 2

Middle Door 2

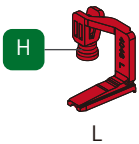
Middle Door 1

Single Door 1

View from bottom

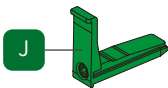


Connector

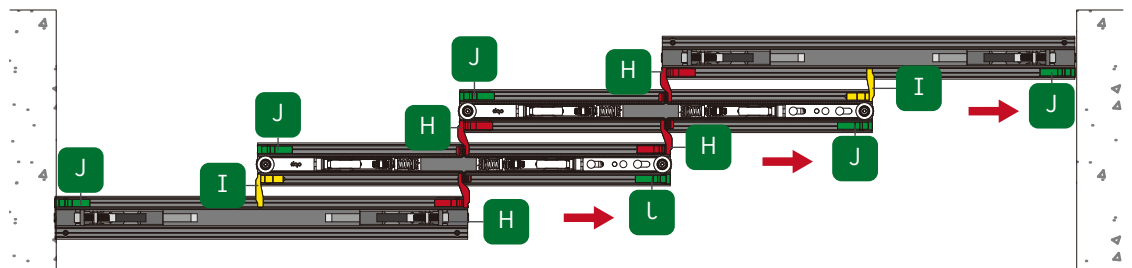


View from bottom: Door opening to the right

Anti-push pull piece



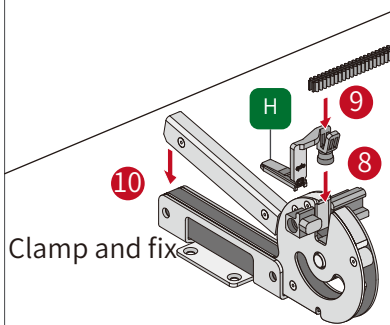
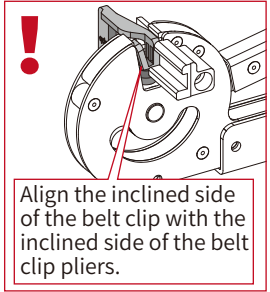
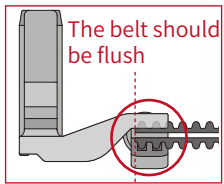
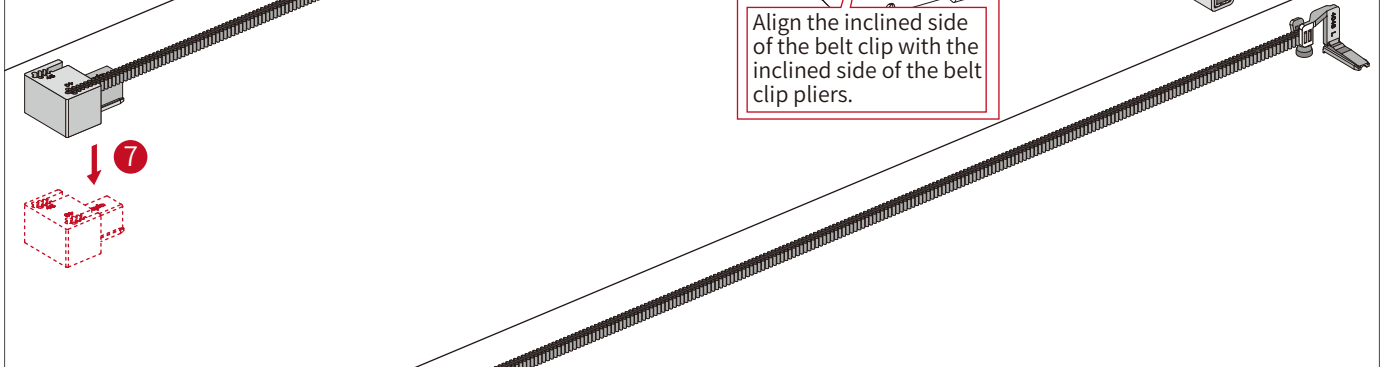
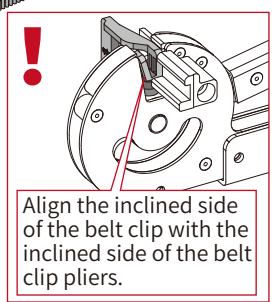
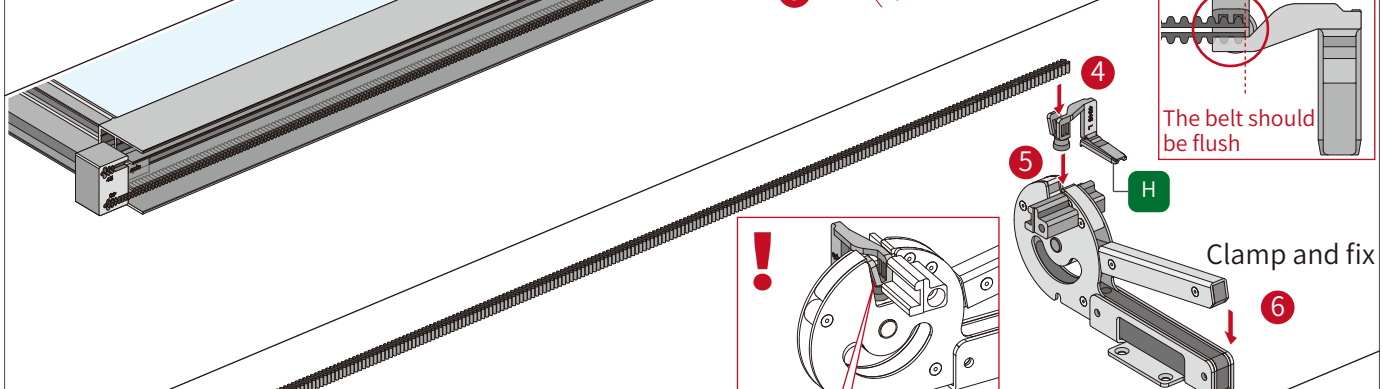
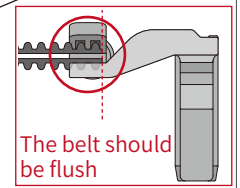
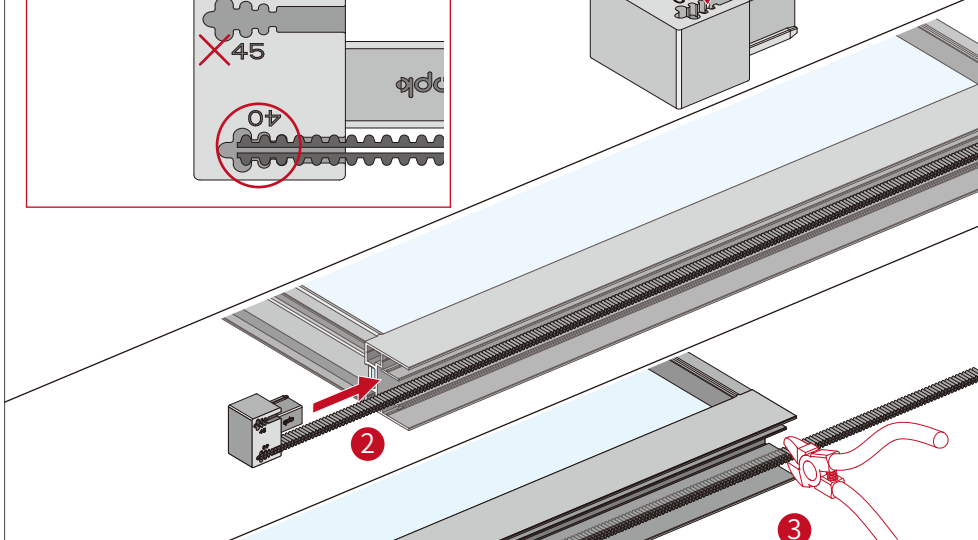
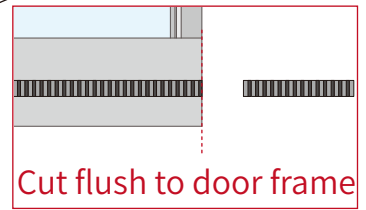
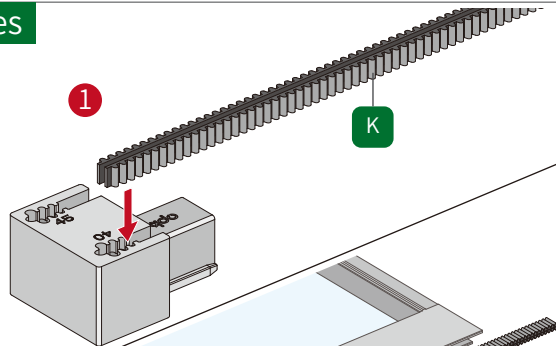
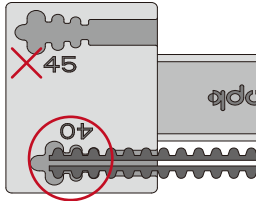
After the door panel is connected but the anti-push pull piece is not installed, do not push or pull the door panel.



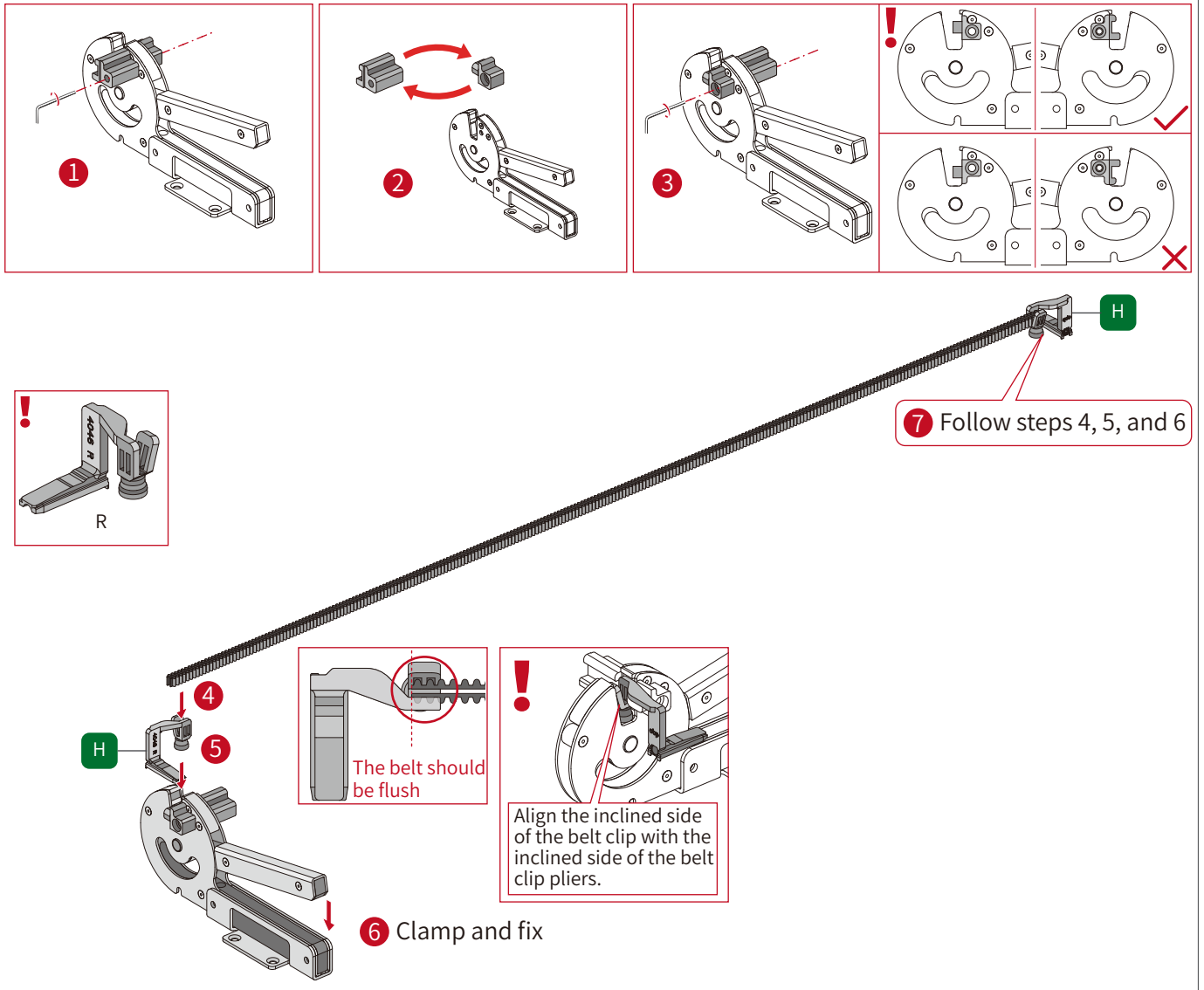
Take the front right door as an example, you can choose the opening direction according to your needs

1 Cut Belt Install Belt Accessories

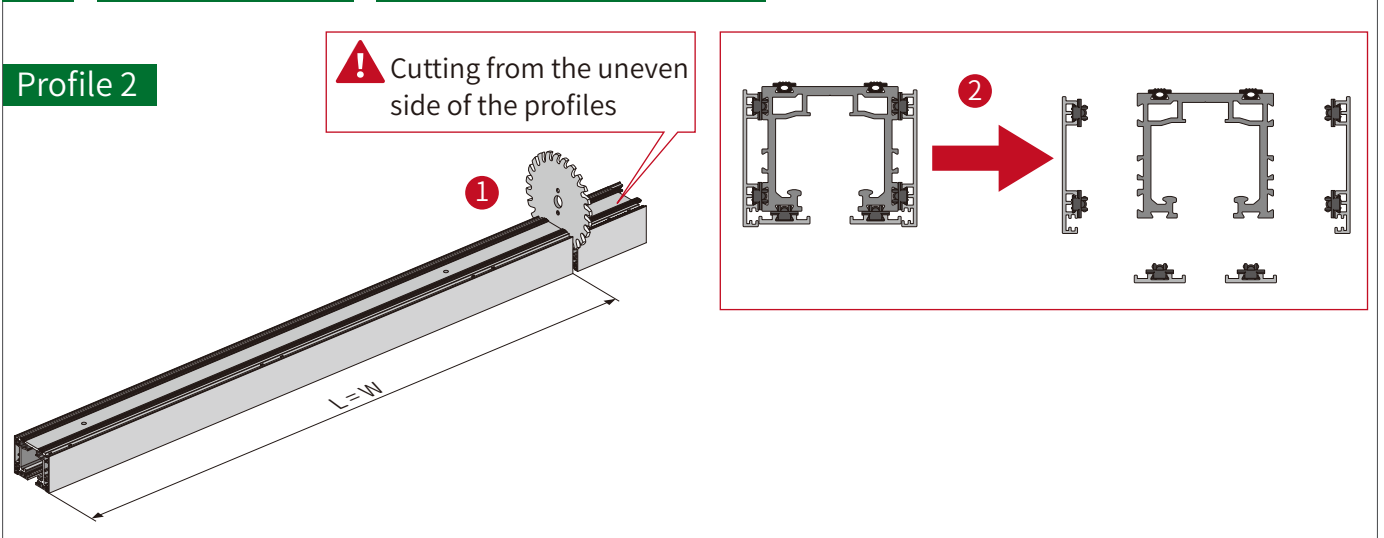
According to the width of the top and bottom horizontal profiles of the door panel, use of belt molds 40



## When Opening the Door to the Left, the Locking Pliers for the Belt Must Change Positions

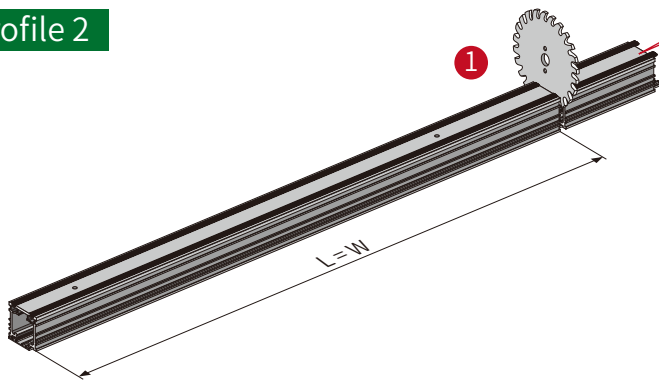


## 2-1 Cut the Profiles Disassemble the Profiles

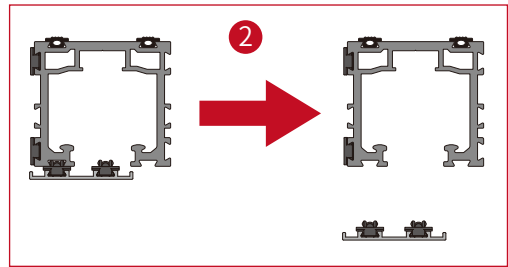


## 2-2 Cut the Profiles Disassemble the Profiles

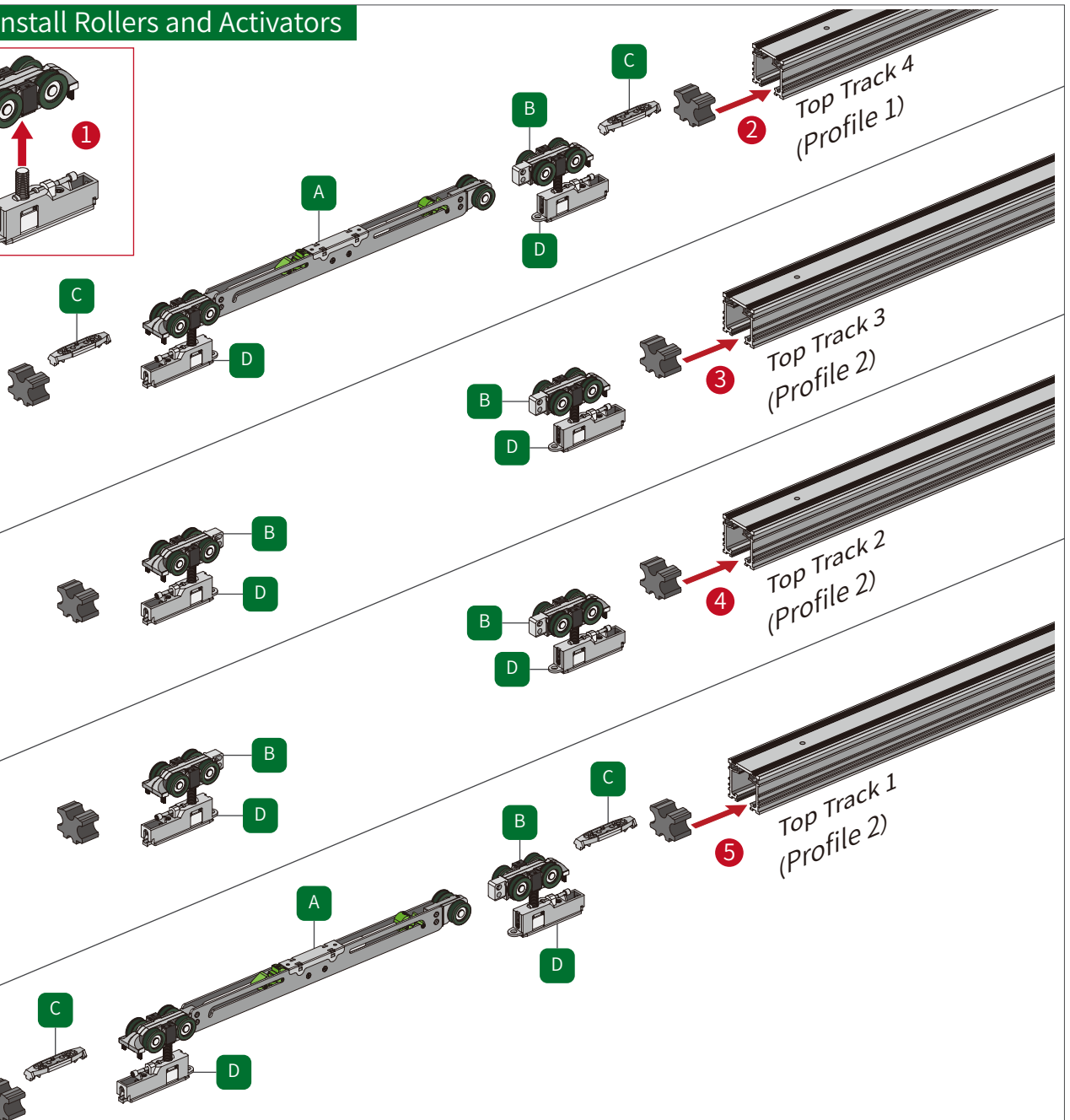
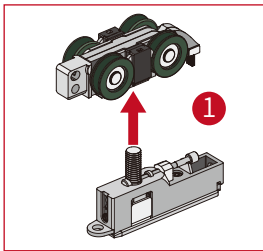
### Profile 2



! Cutting from the uneven side of the profiles

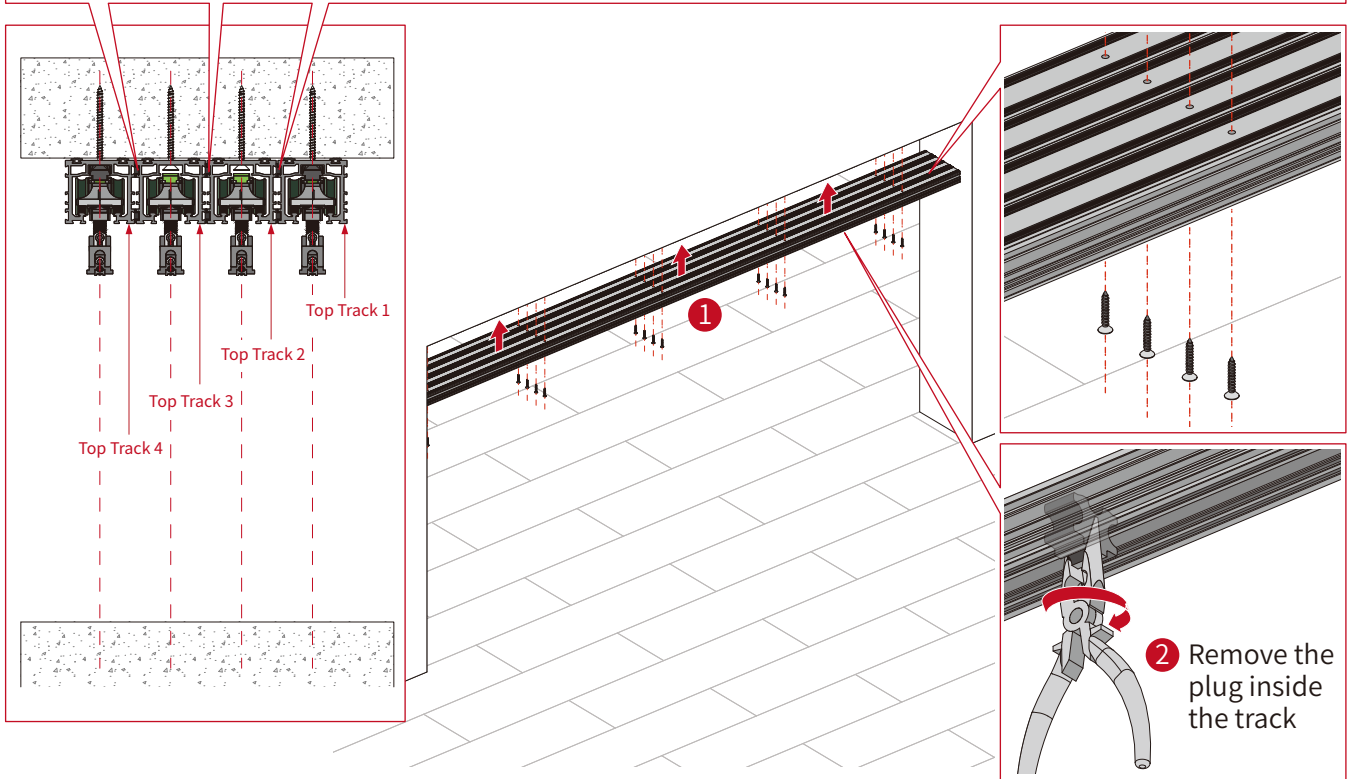
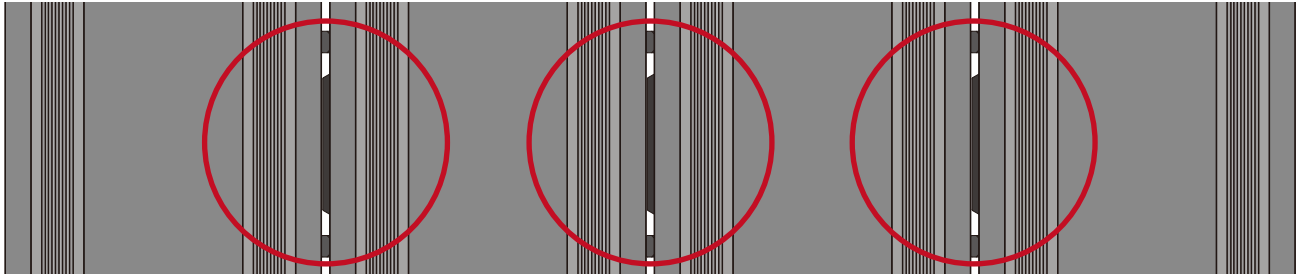


## 3 Install Rollers and Activators

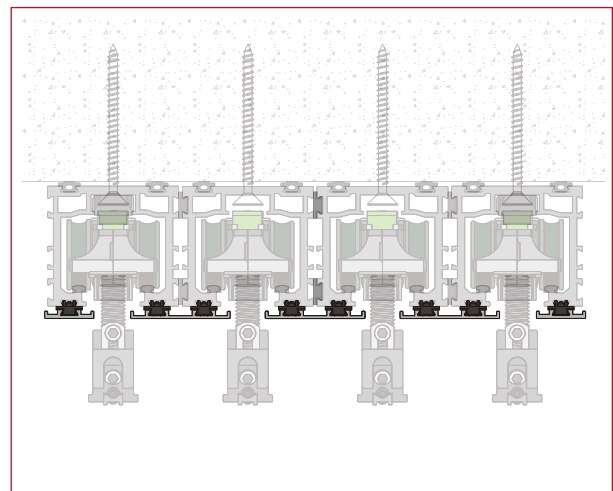
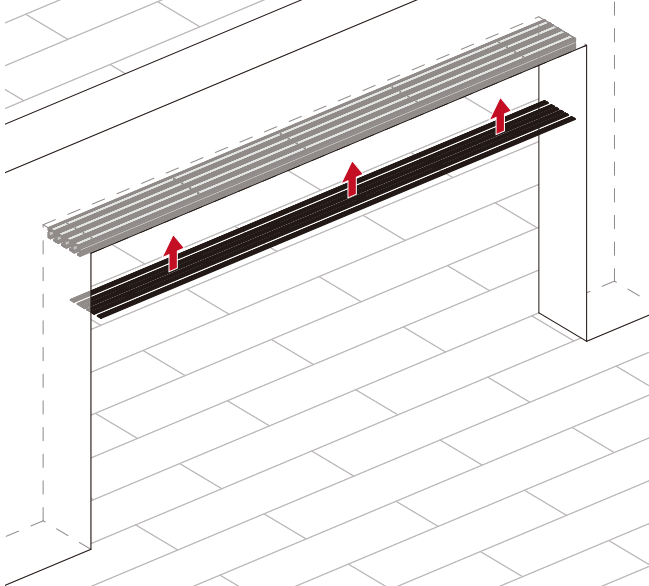


## 4 Install the Top Track

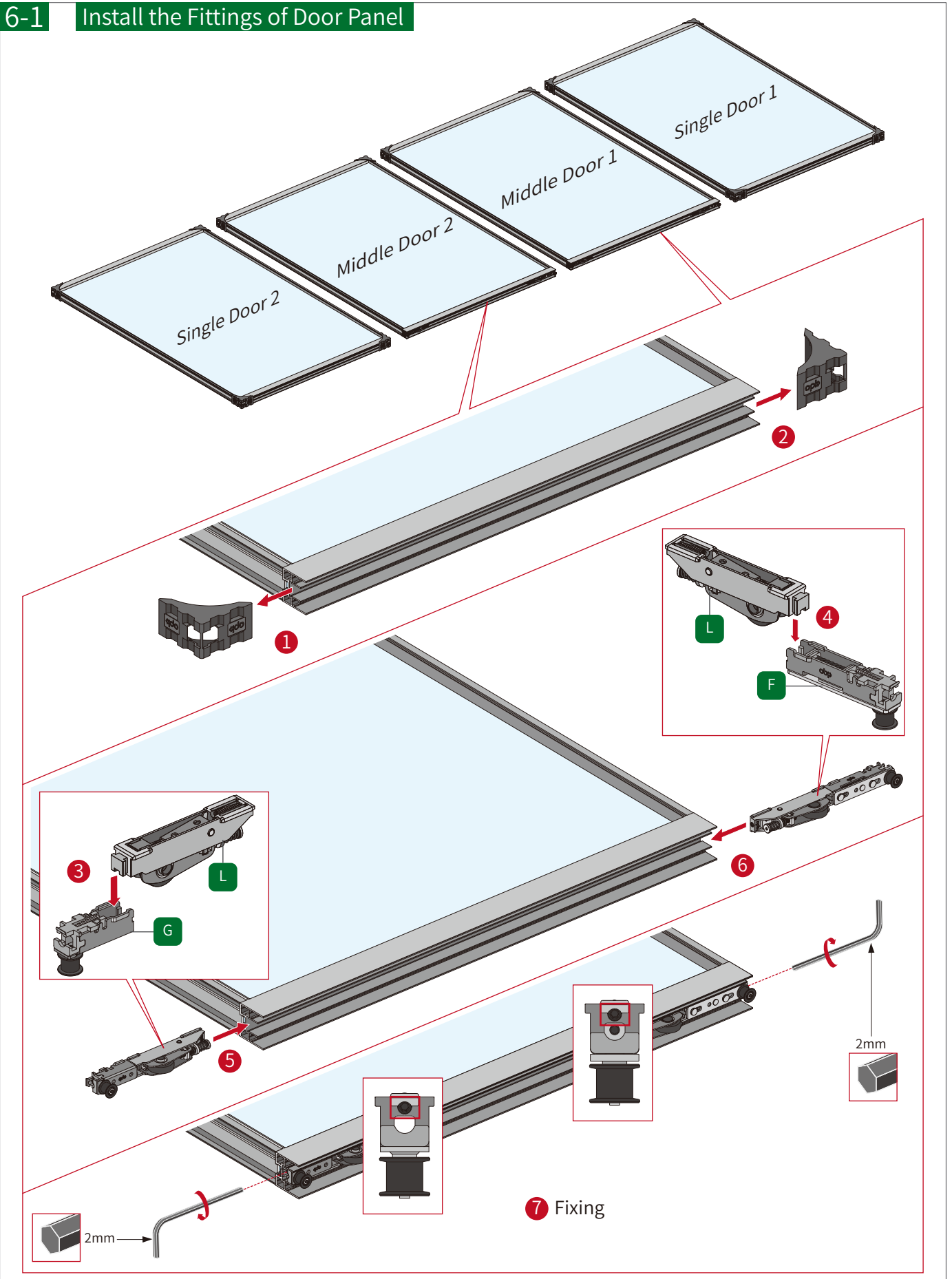
**! Must be tight! No gap is allowed!**



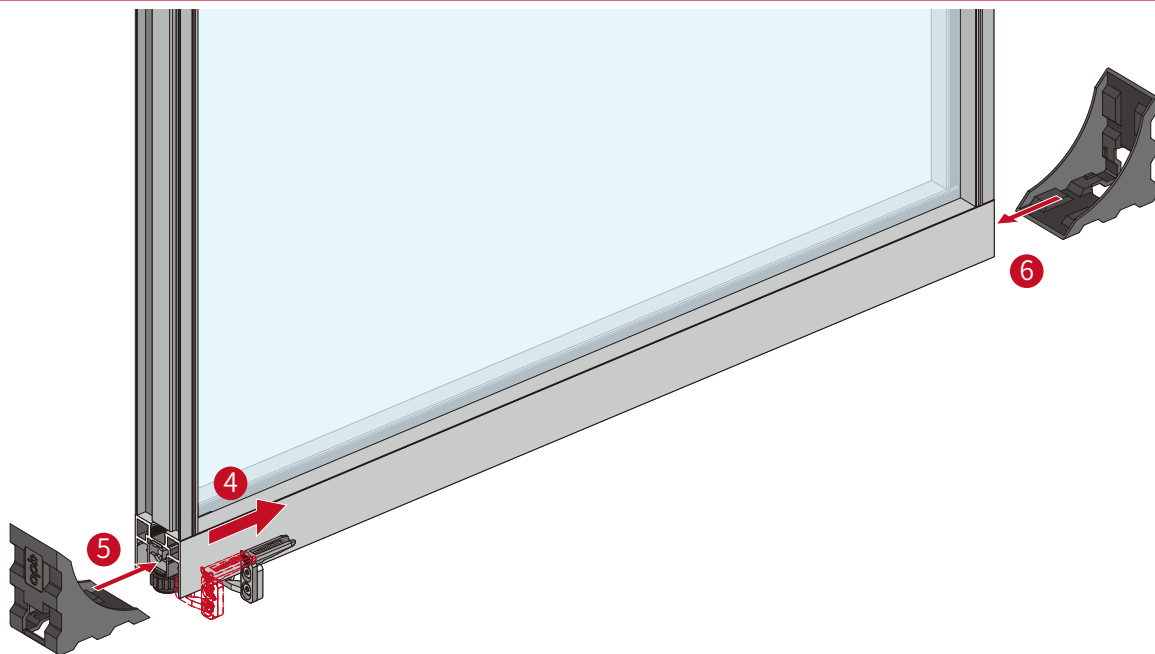
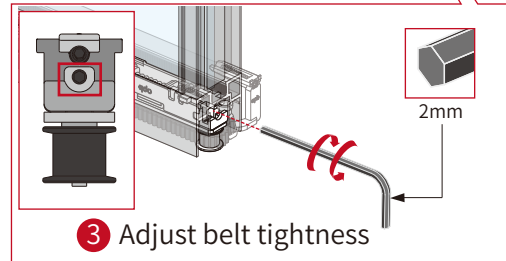
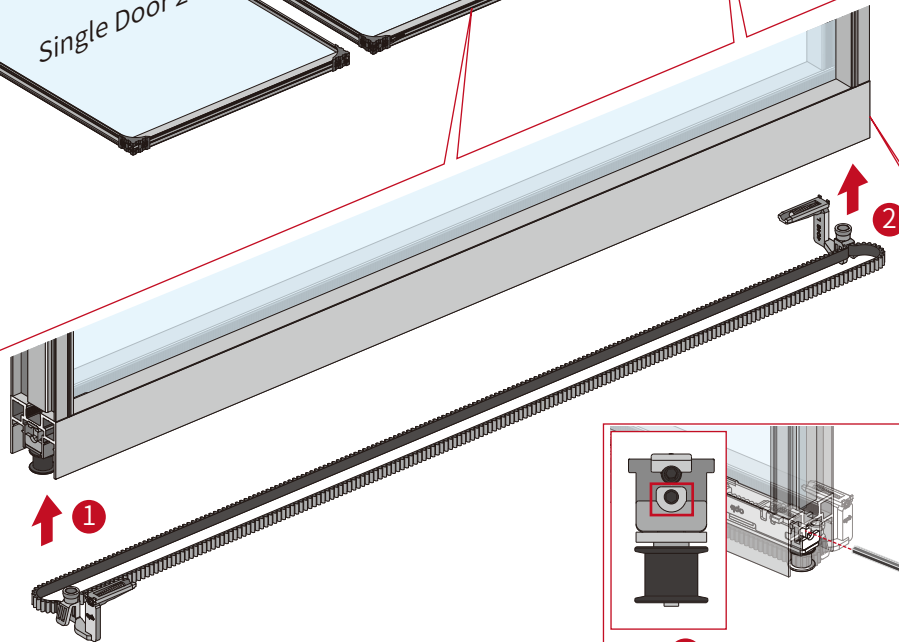
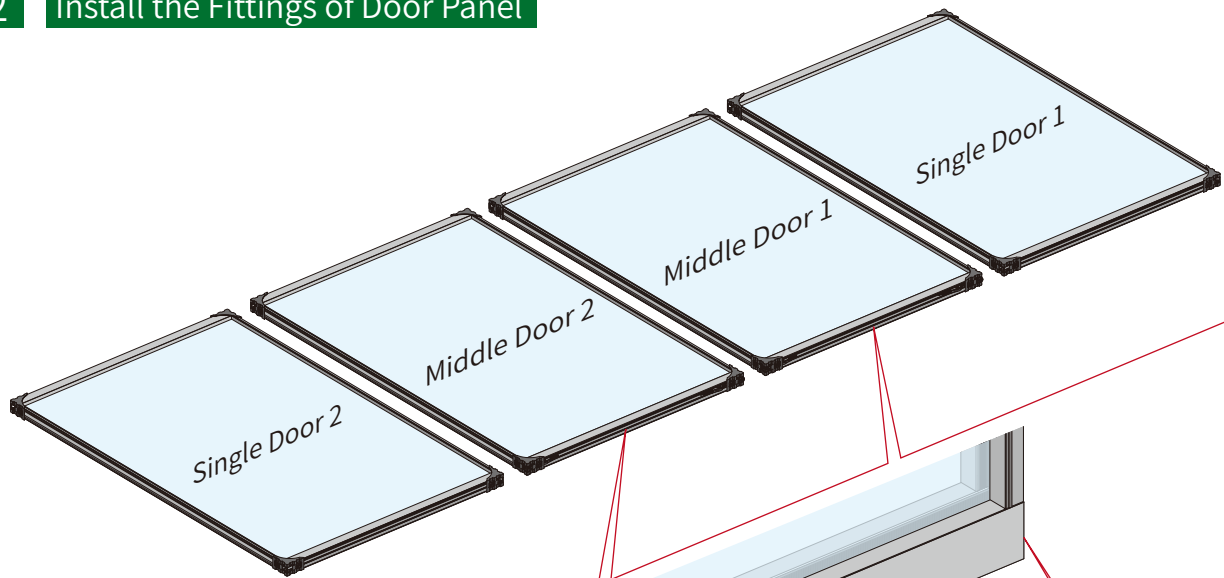
## 5 Install the Covers of Track

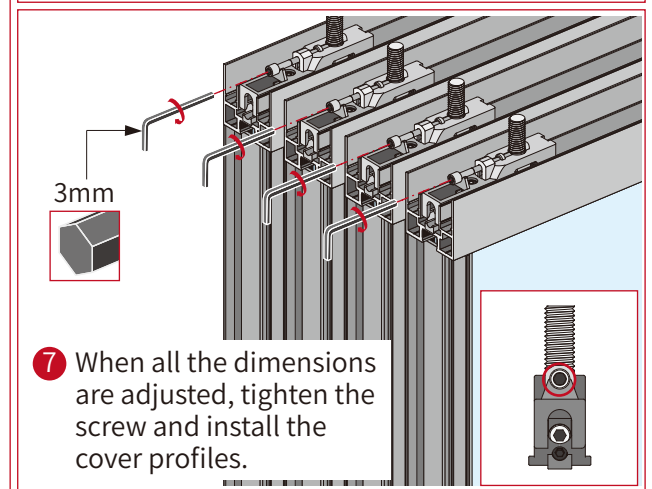
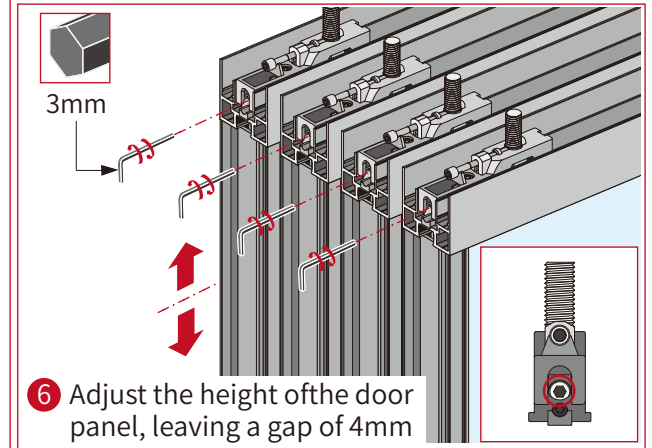
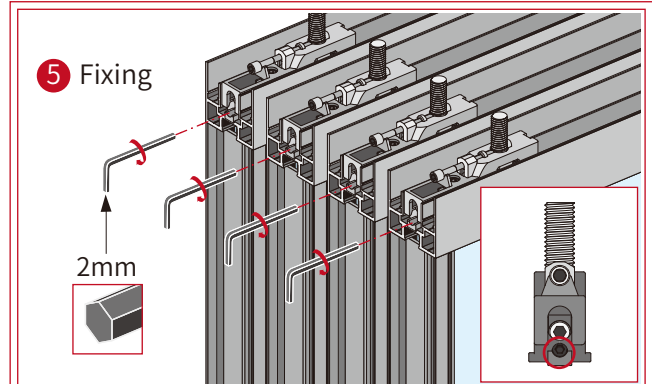
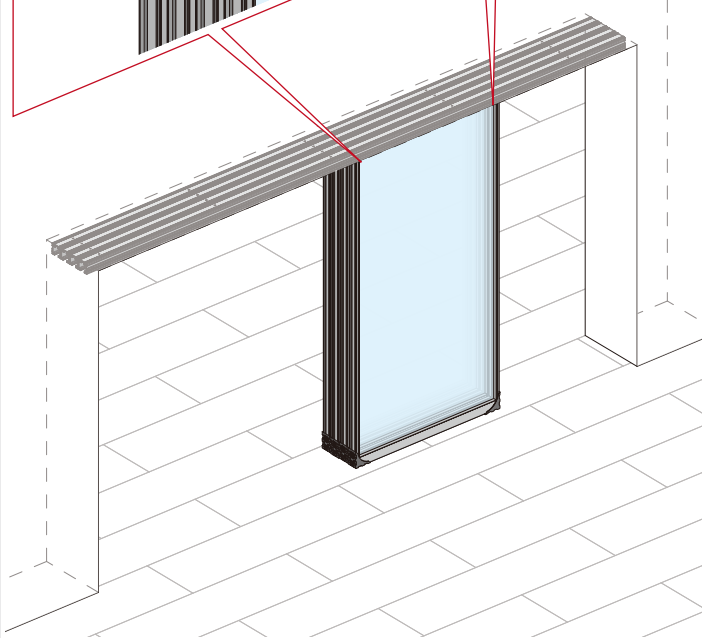
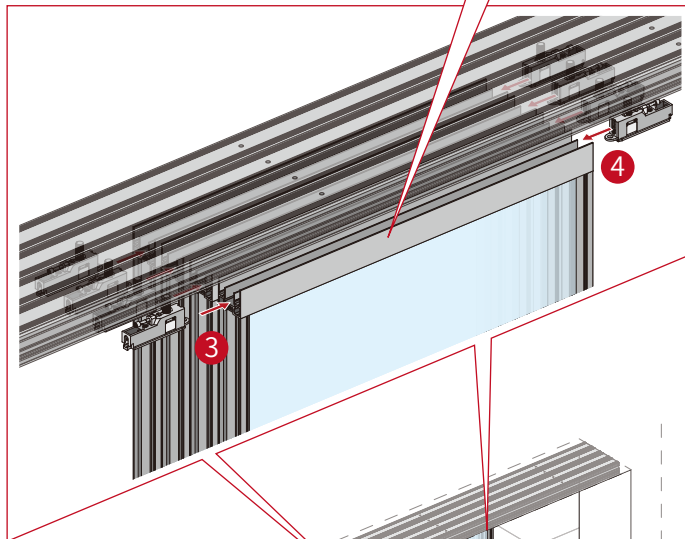
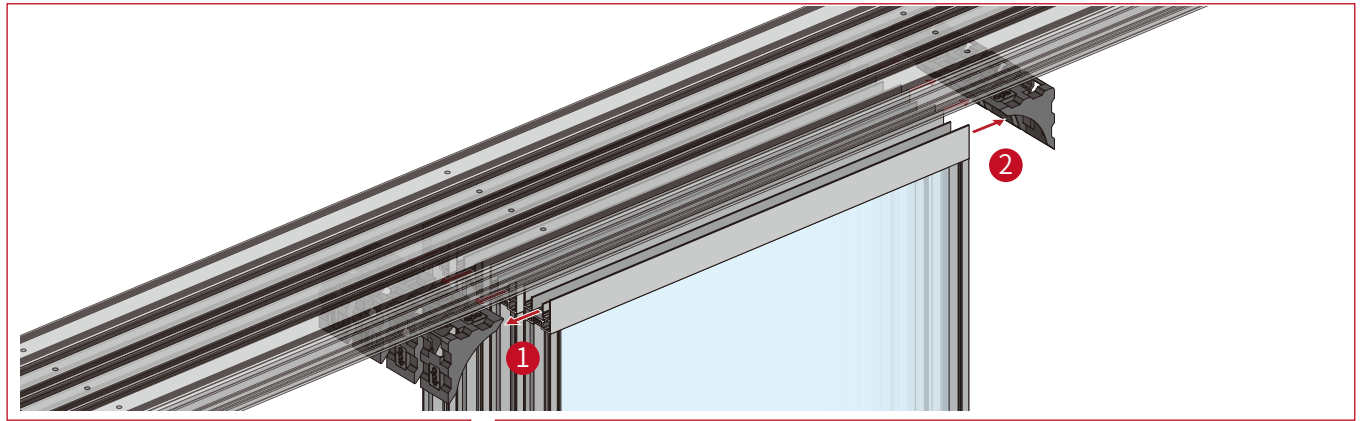


6-1 Install the Fittings of Door Panel

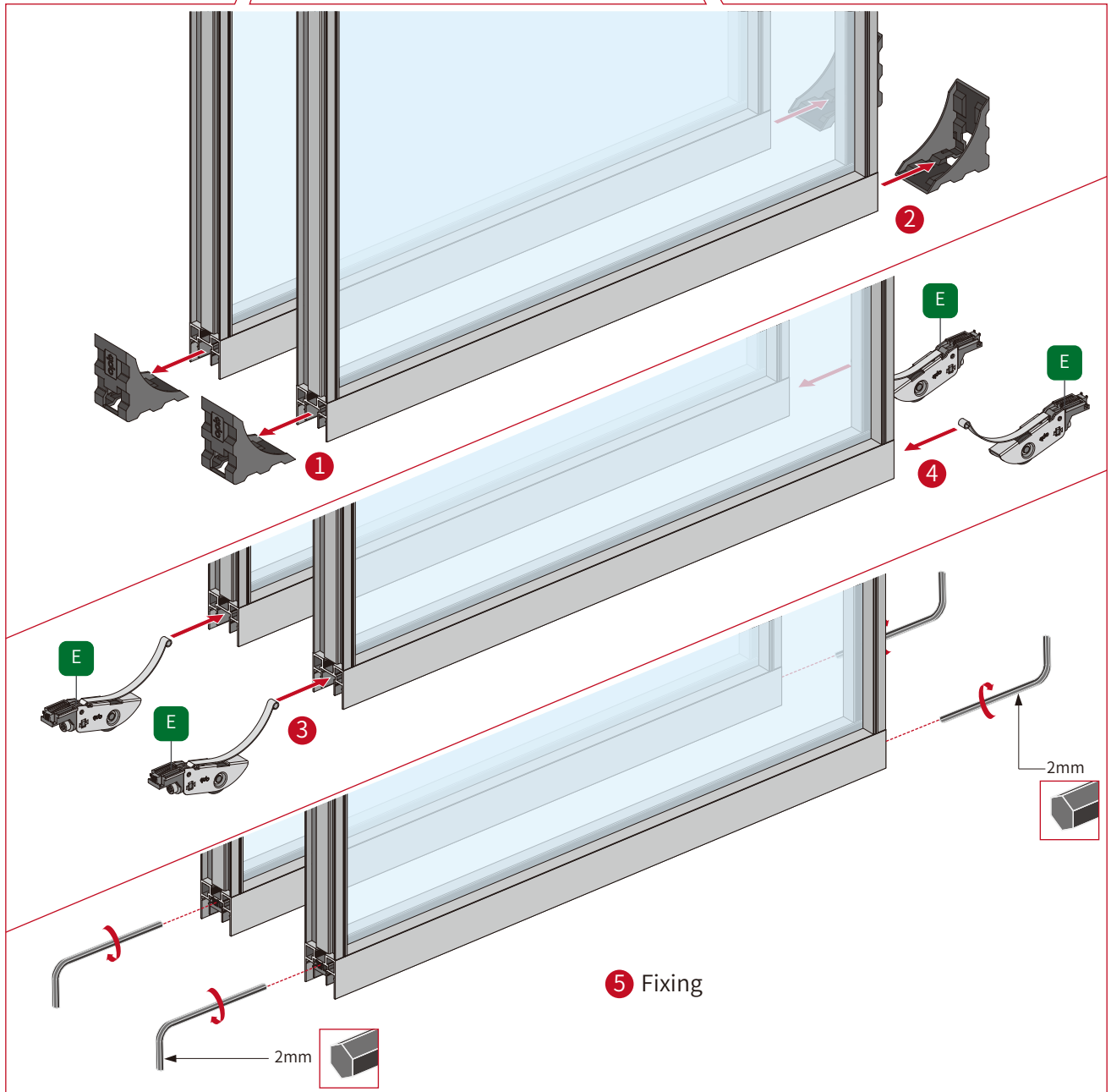


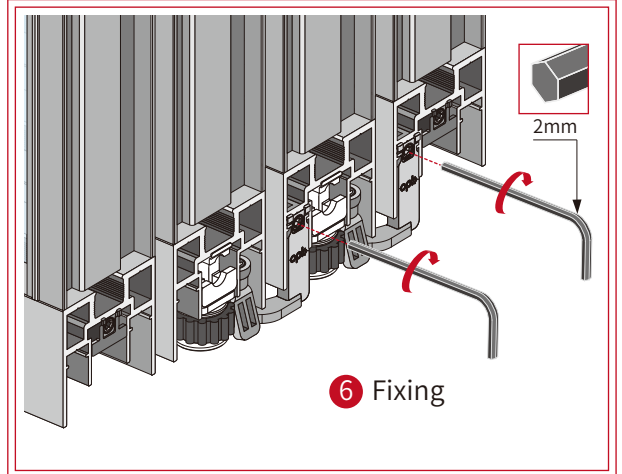
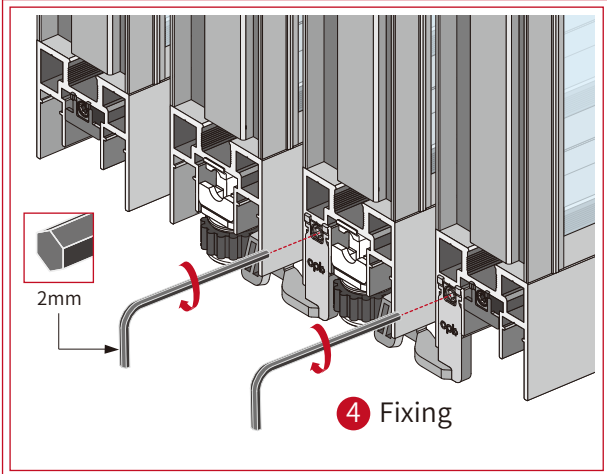
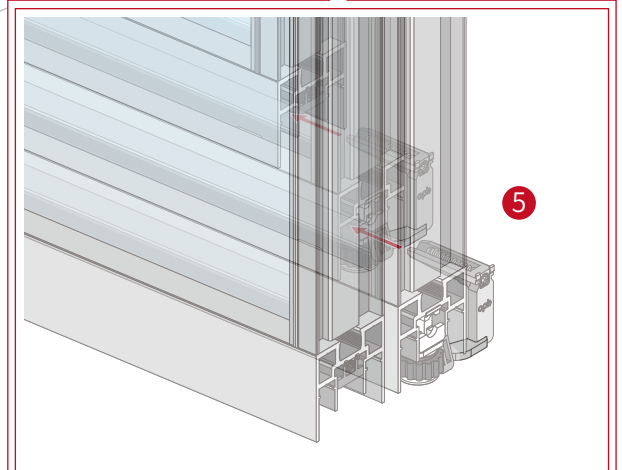
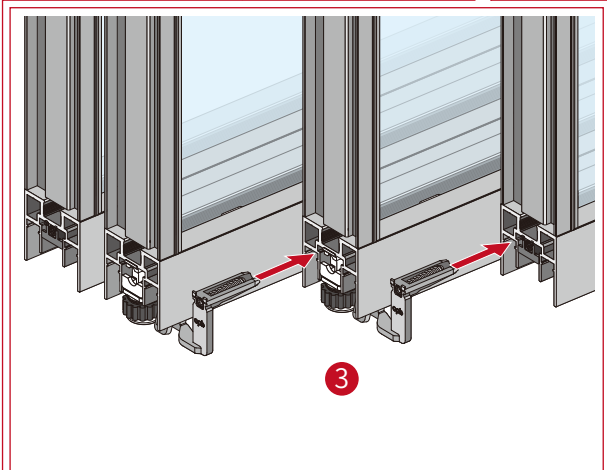
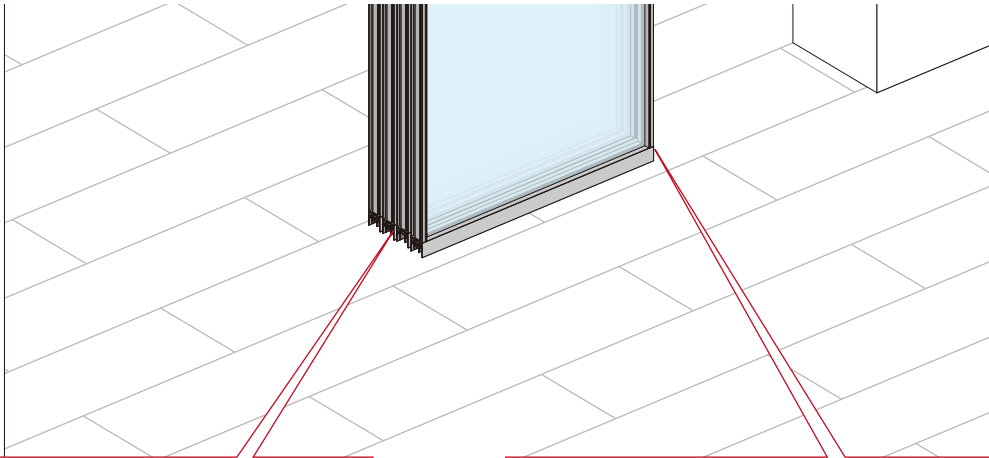
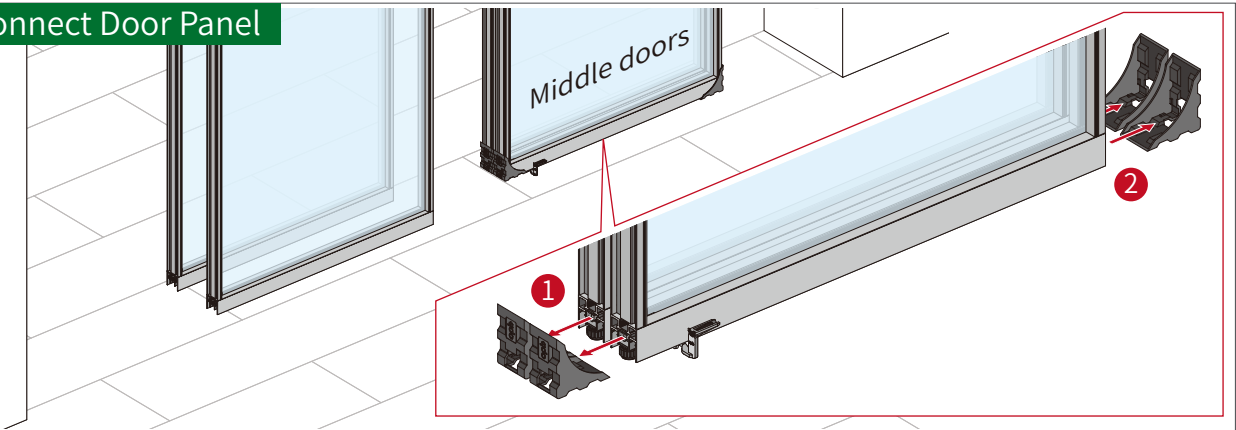
## 6-2 Install the Fittings of Door Panel



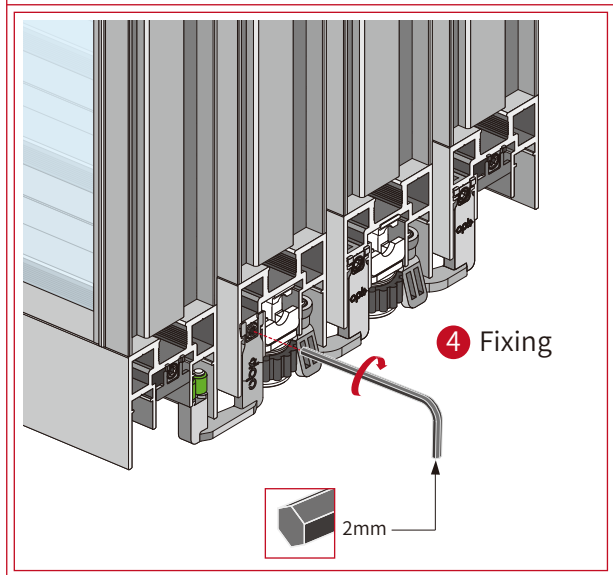
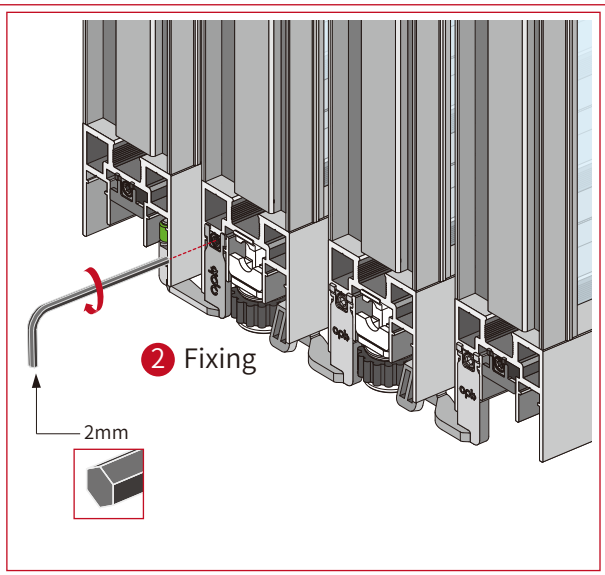
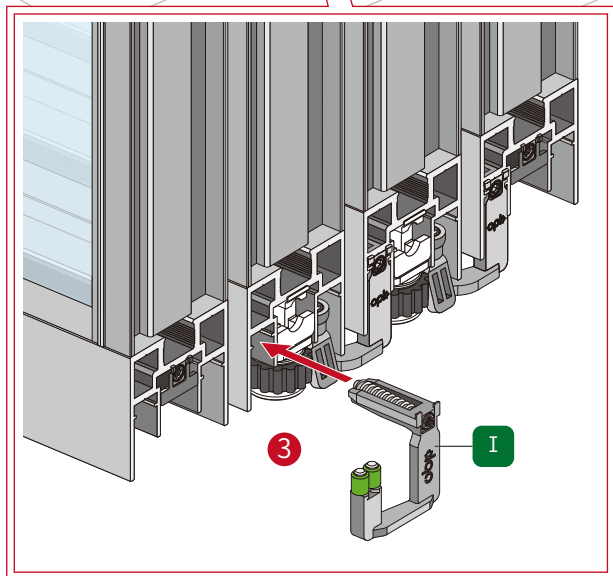
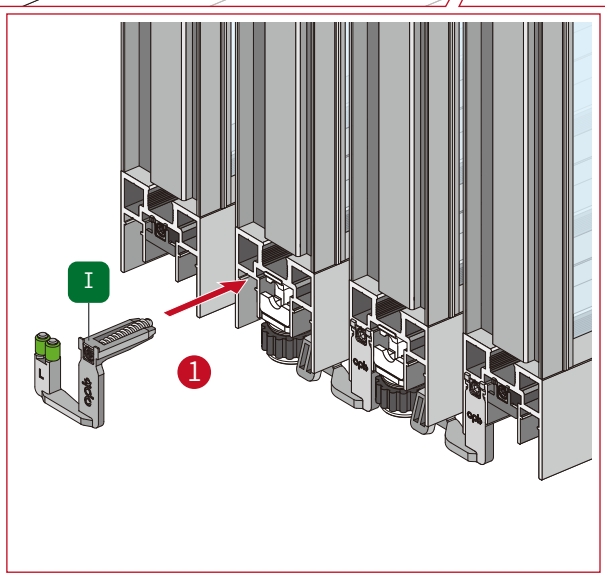
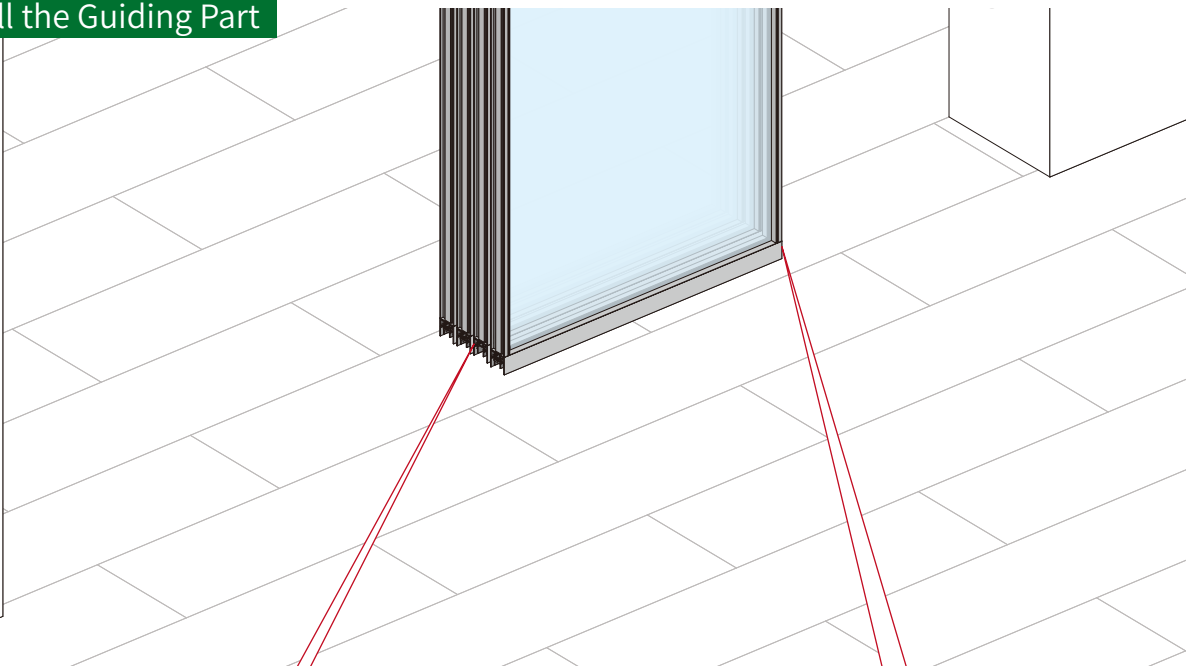


Middle doors

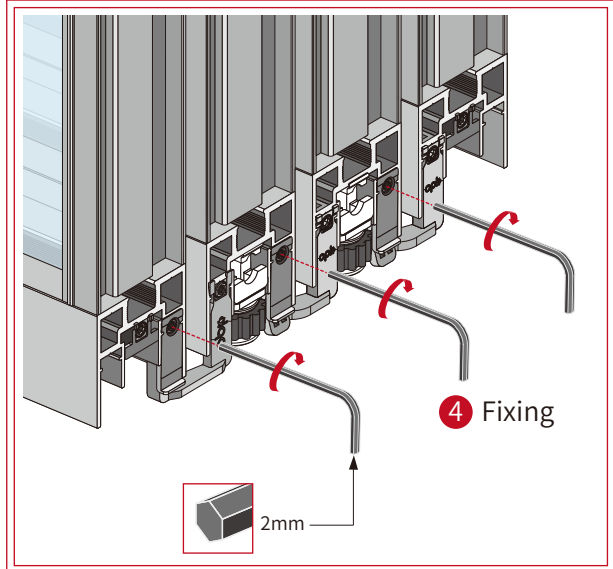
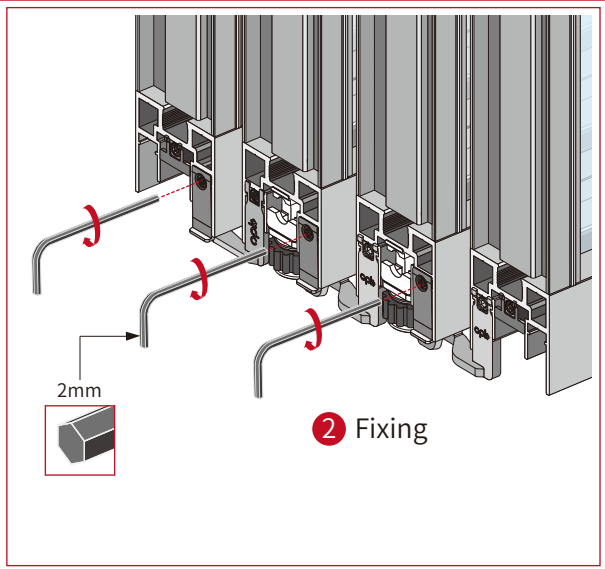
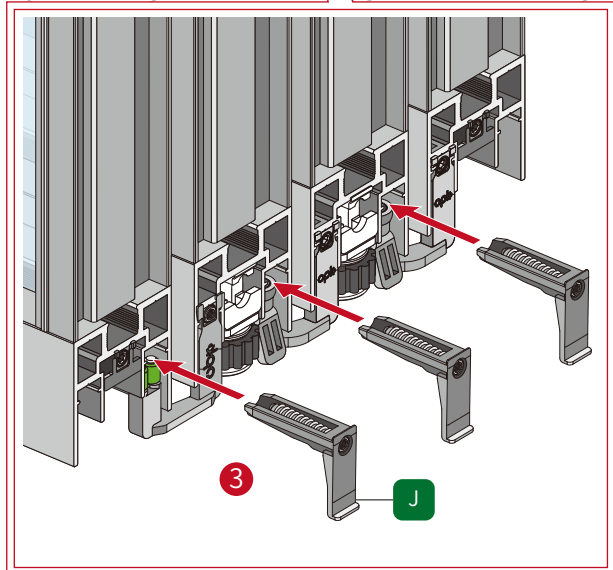
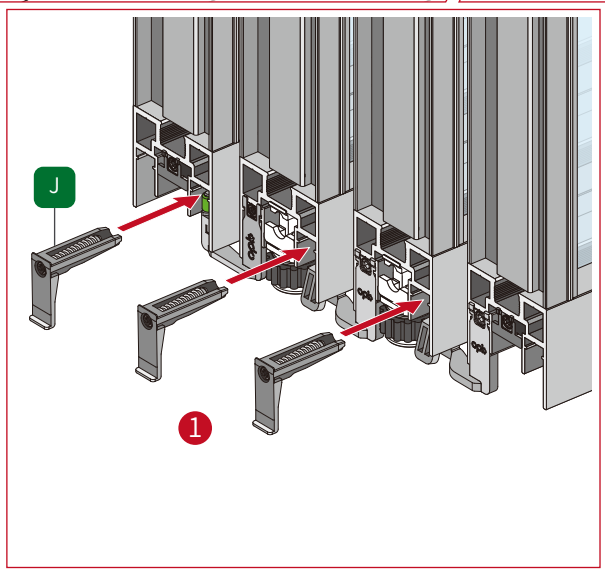
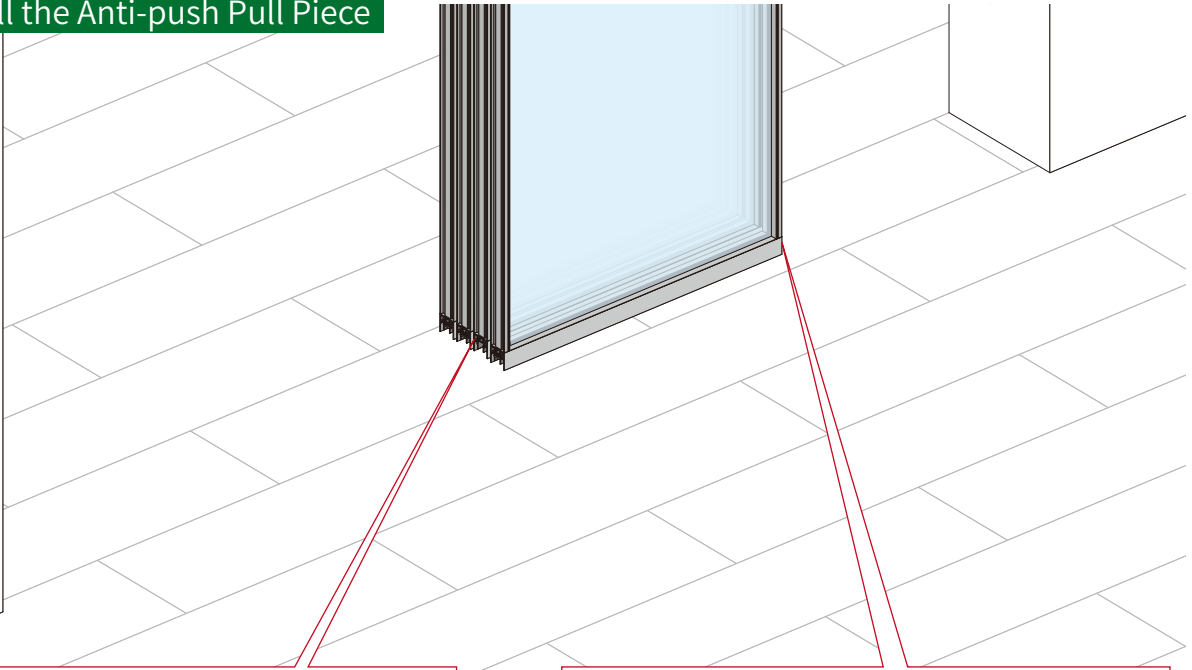




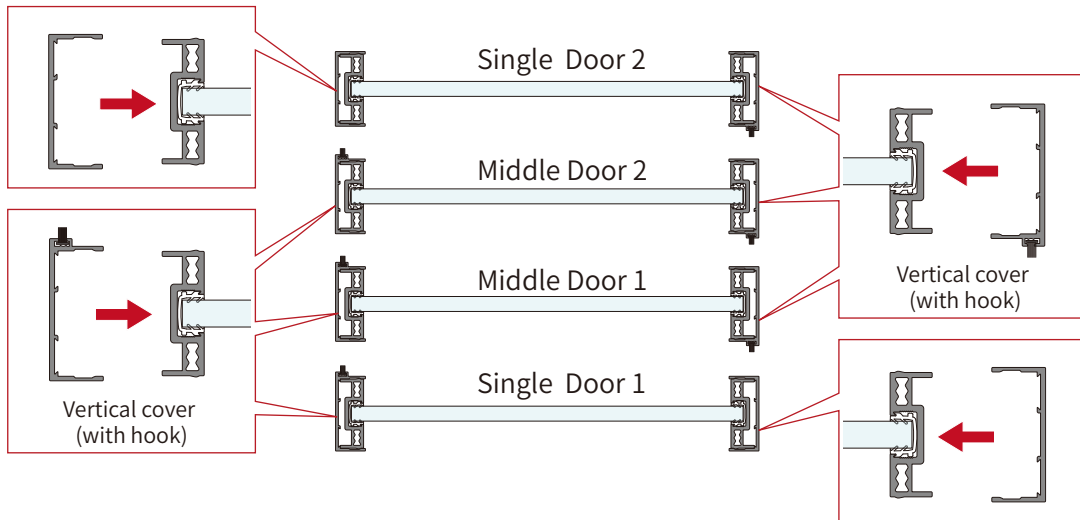
# 10 Install the Guiding Part



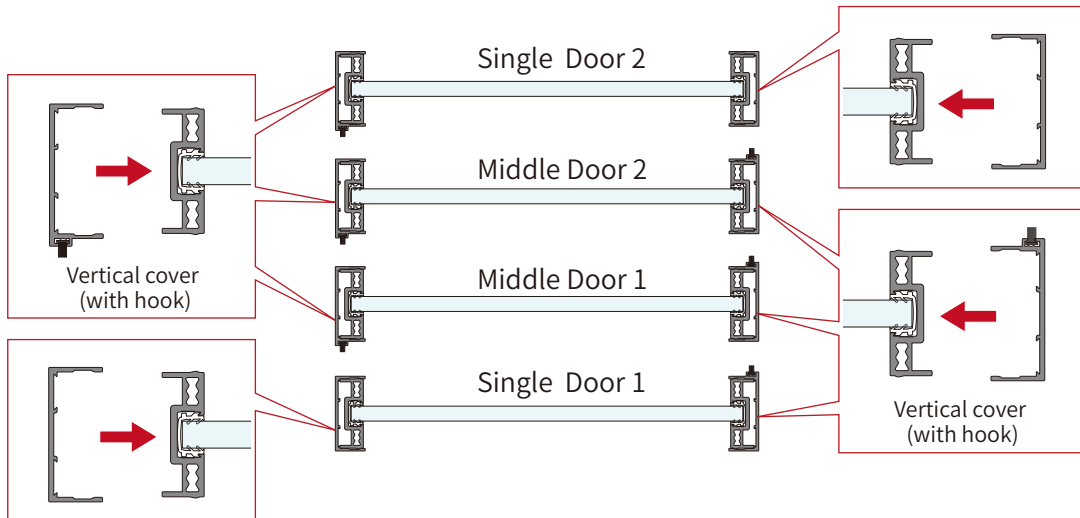
# 11 Install the Anti-push Pull Piece



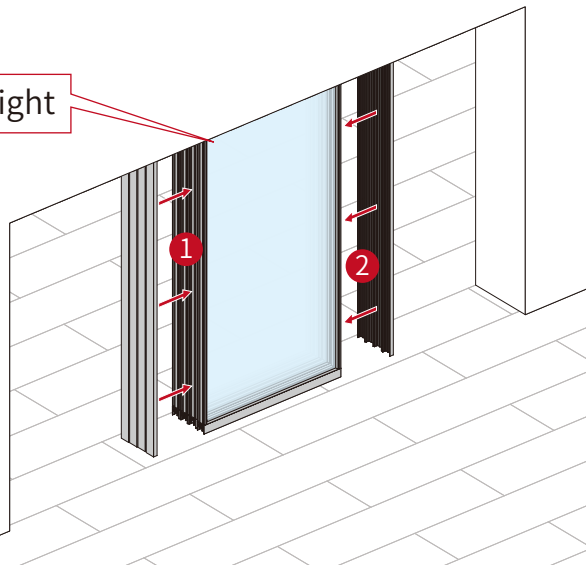
Door opening to the left



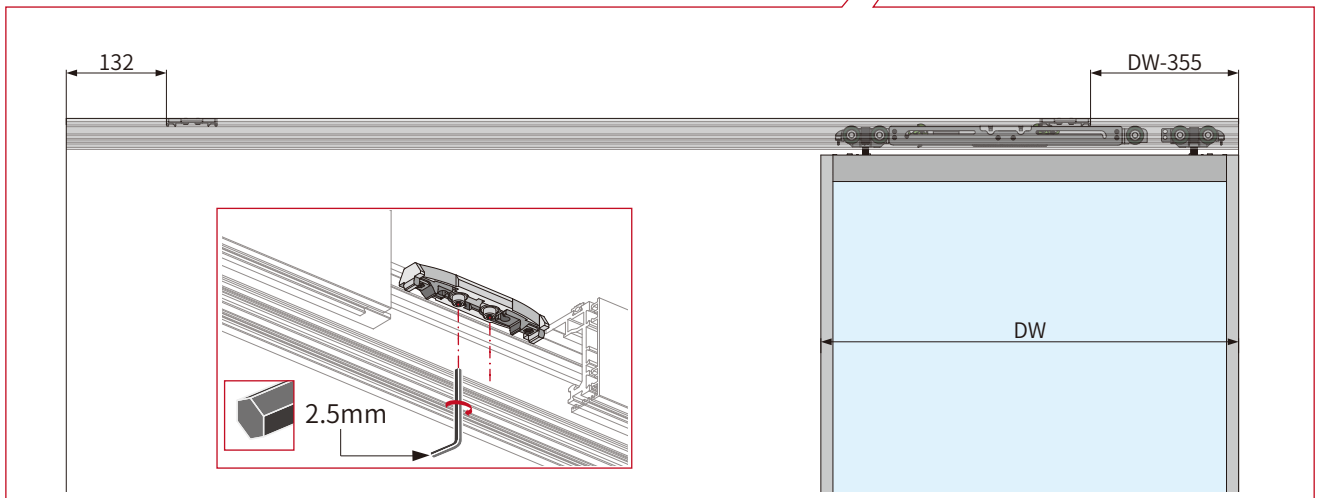
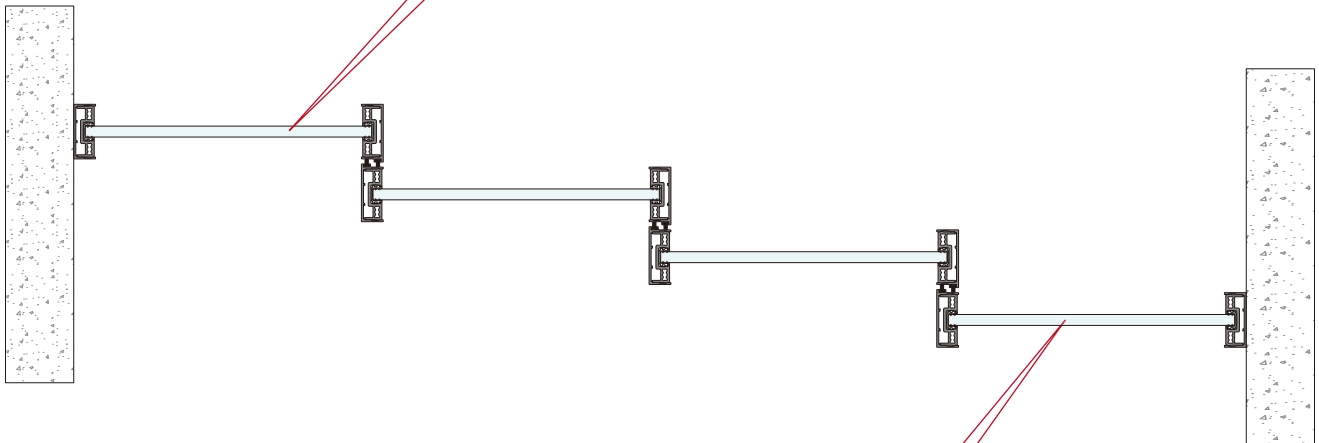
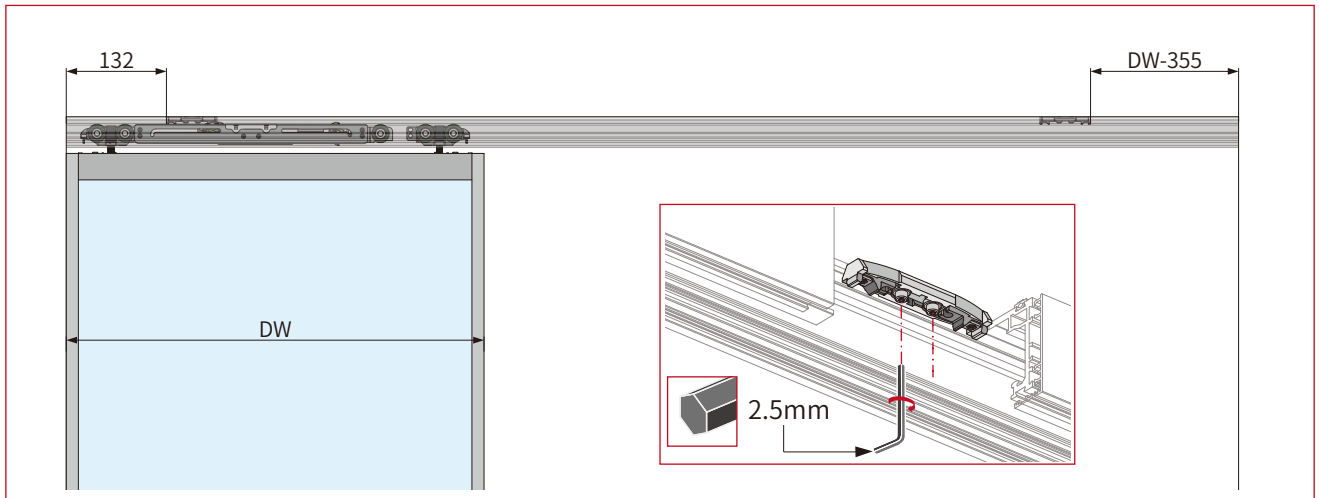
Door opening to the right



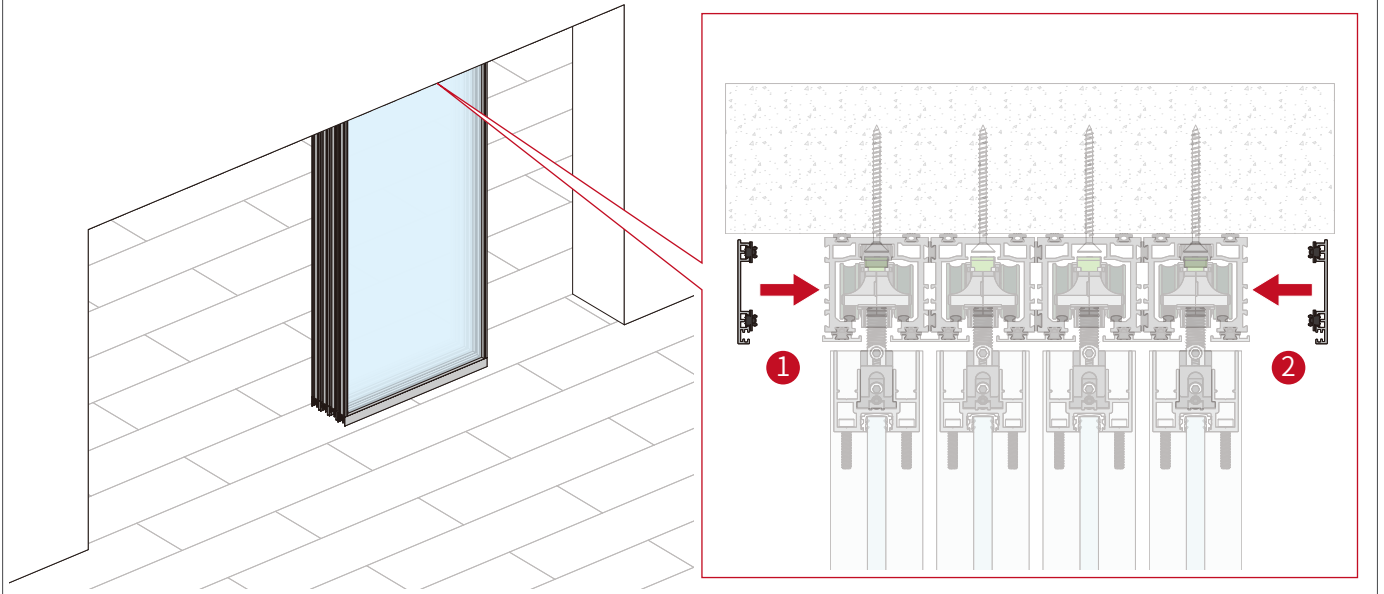
Door opening to the right



# 13 Activator Position

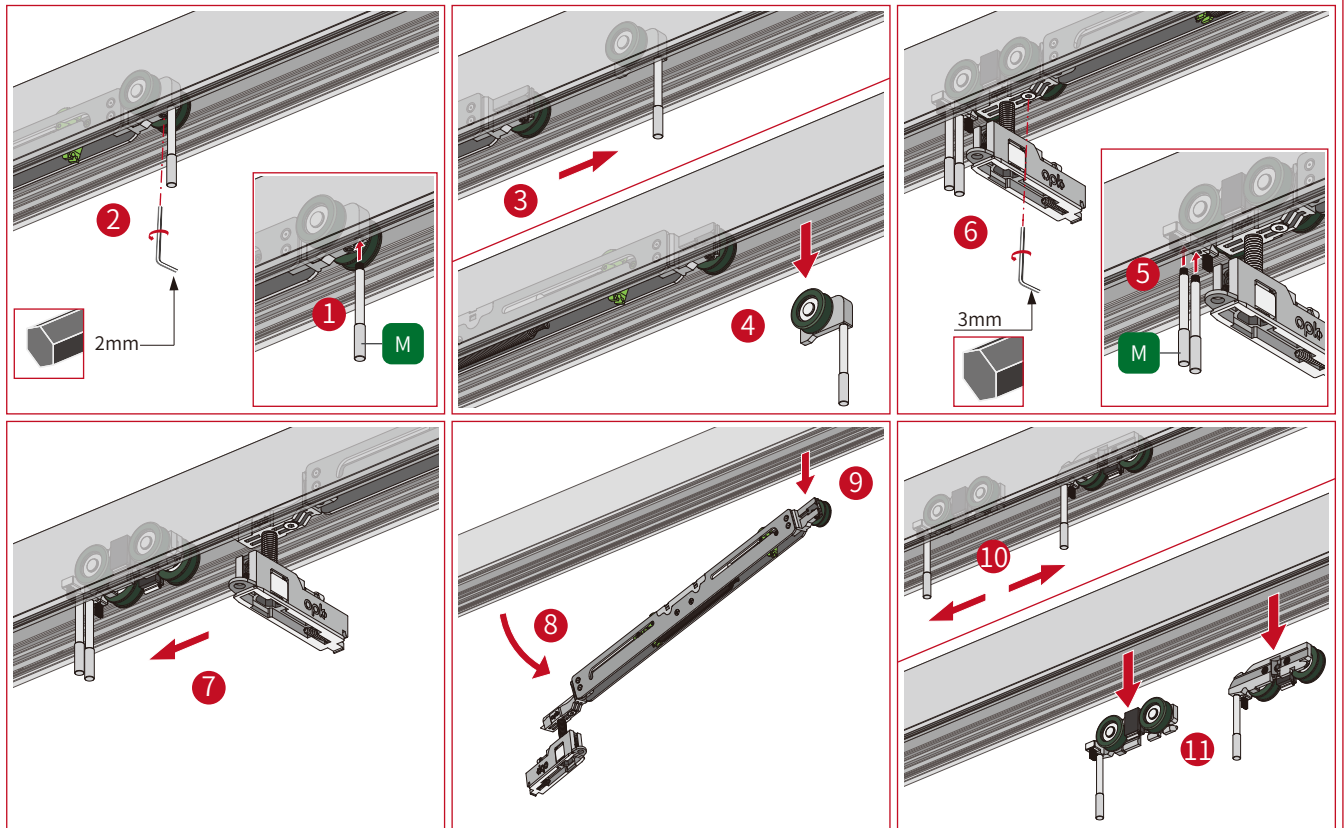
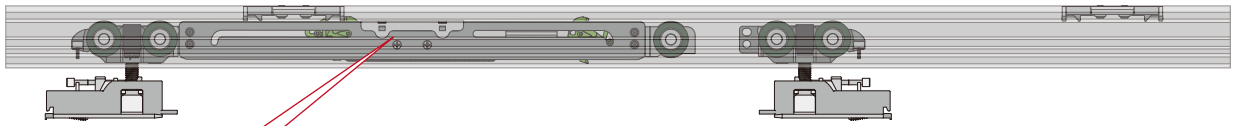


## 14 Install the Cover of Track



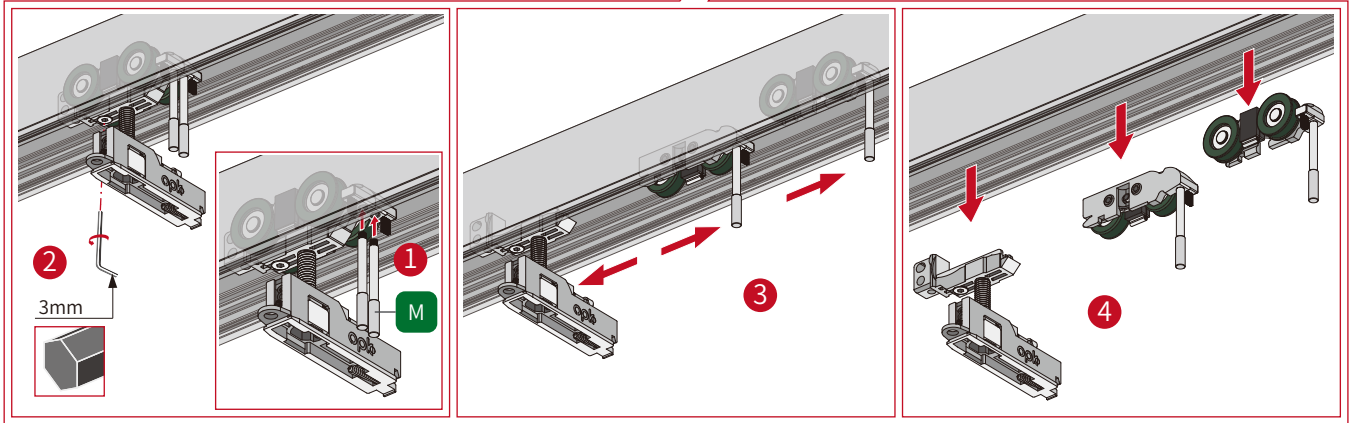
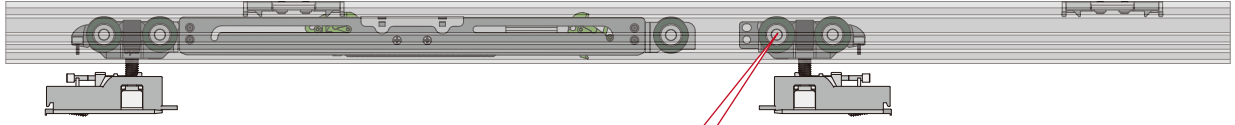
## Maintenance & Replacing

### Disassemble Running Part



## Maintenance & Replacing

### Disassemble Running Part



## Maintenance & Replacing

### Replacing Activator

