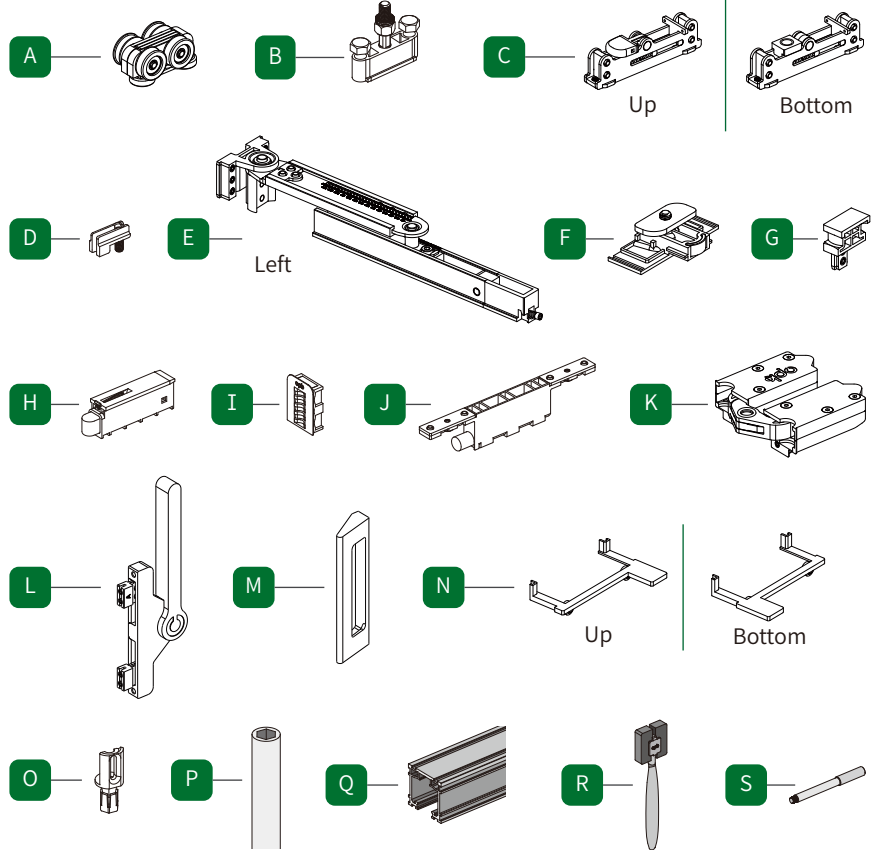
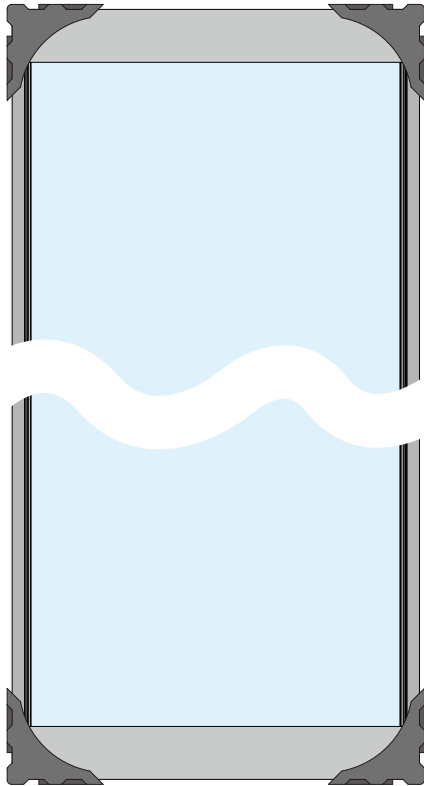
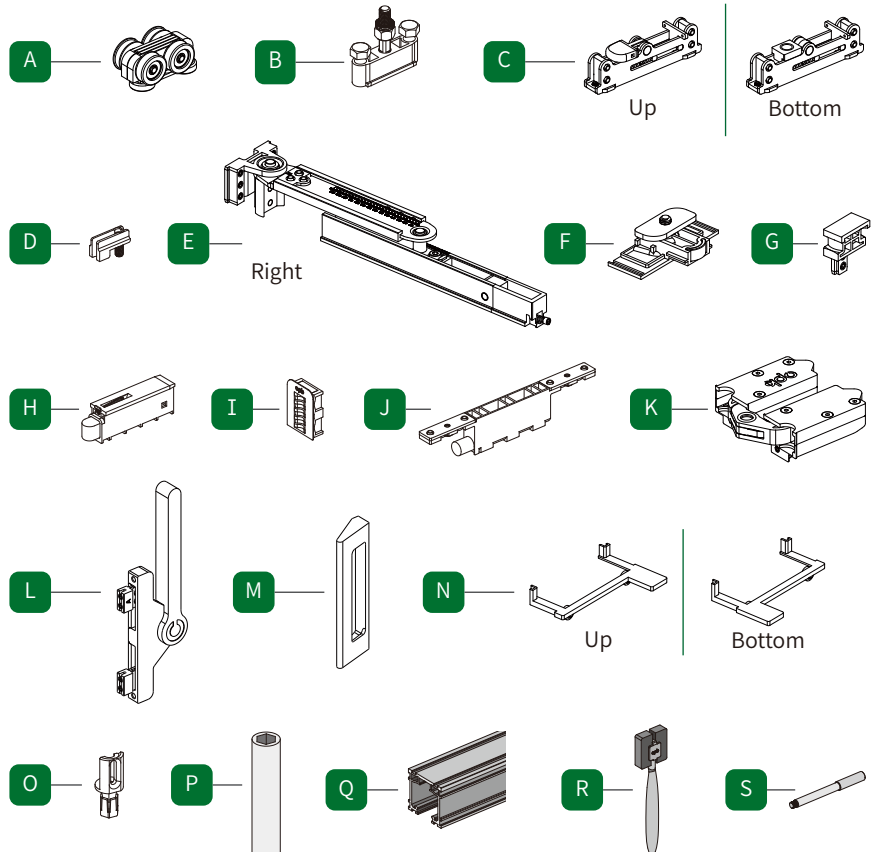
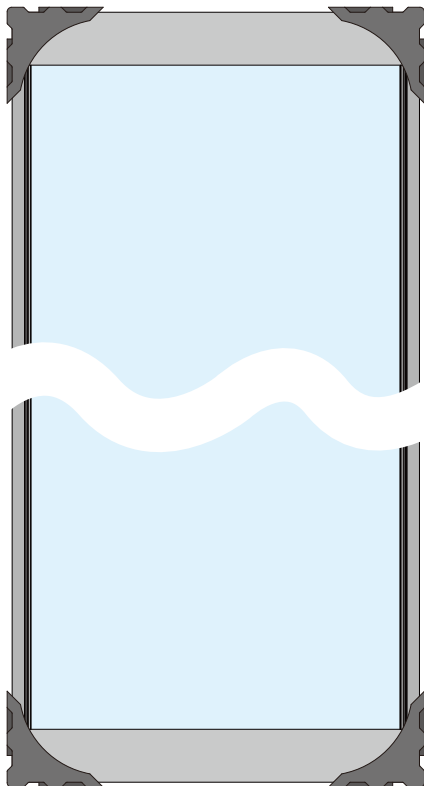


# Perfect Center Folding Door Kit -Installation Instructions

## Left Opening

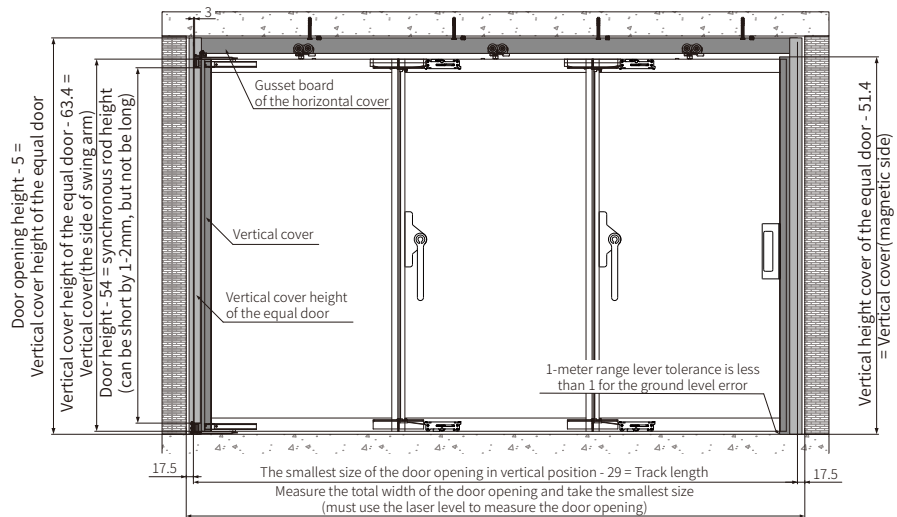
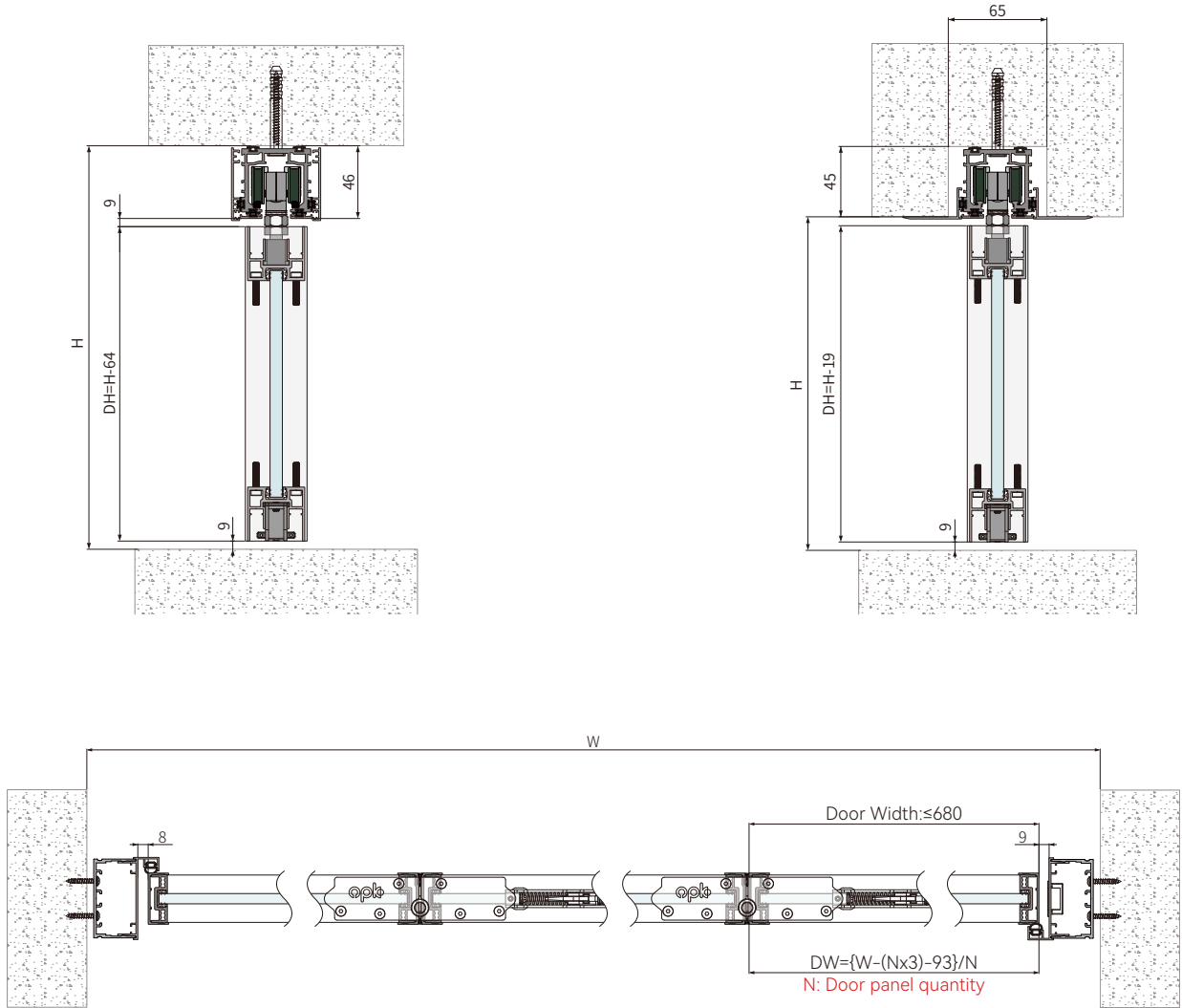


## Right Opening

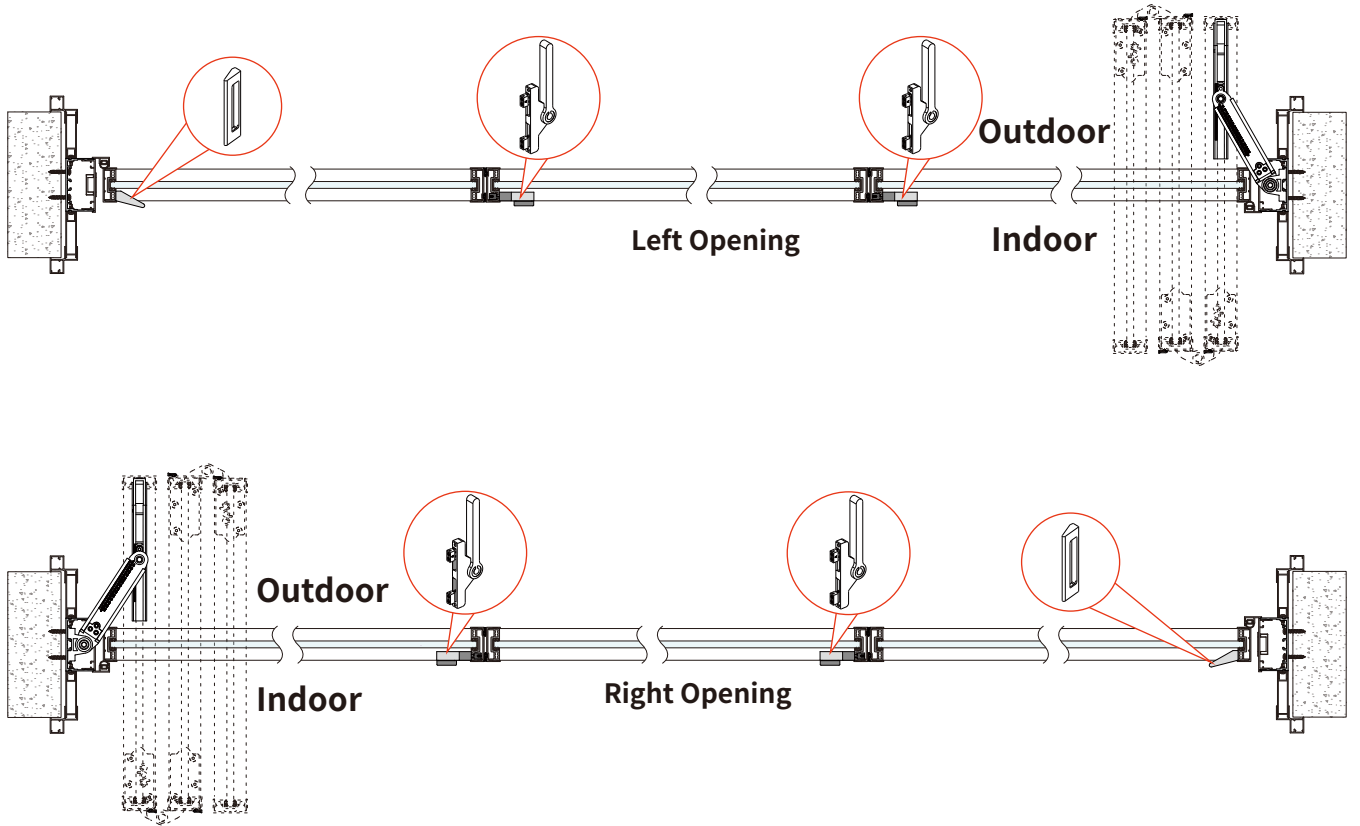


## Surface Mounting

## Concealed Mounting



### Odd-numbered Door Panel

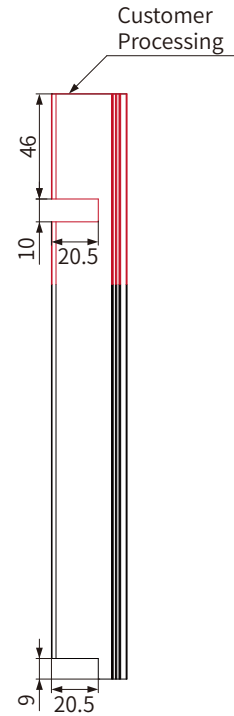
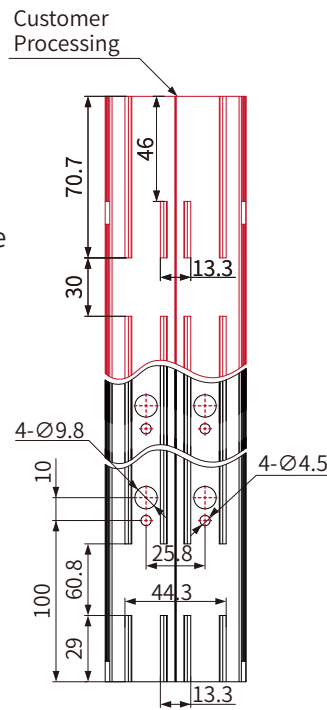
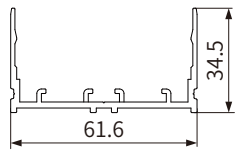


## Surface Mounting



Please cut it to the appropriate length before processing

Left /Right Opening  
Equal-width Door Vertical  
Door Opening Cover

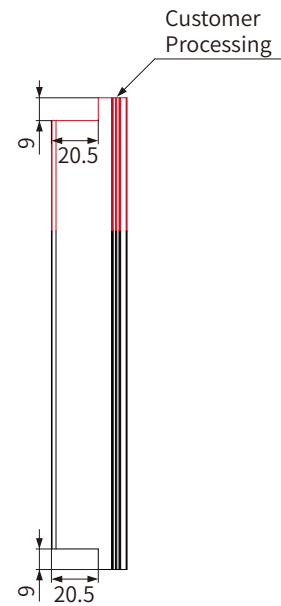
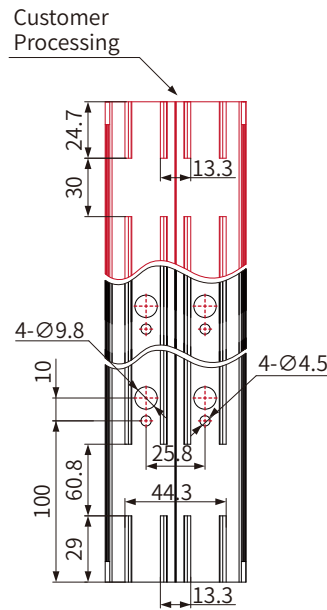
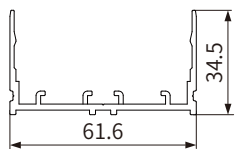


## Concealed Mounting

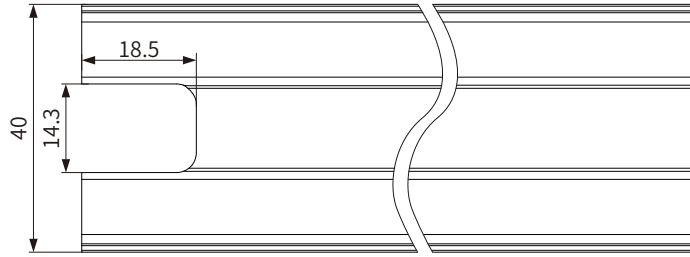
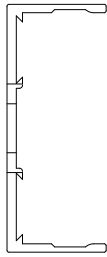


Please cut it to the appropriate length before processing

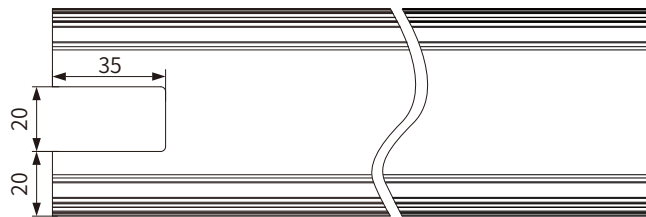
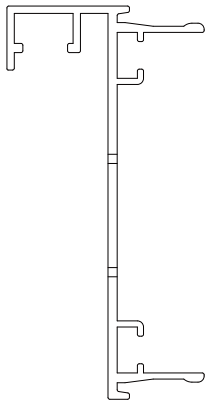
Left /Right Opening  
Equal-width Door Vertical  
Door Opening Cover



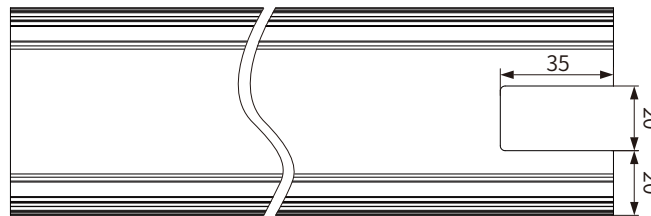
Vertical Frame Cover



Vertical Door Opening Cover



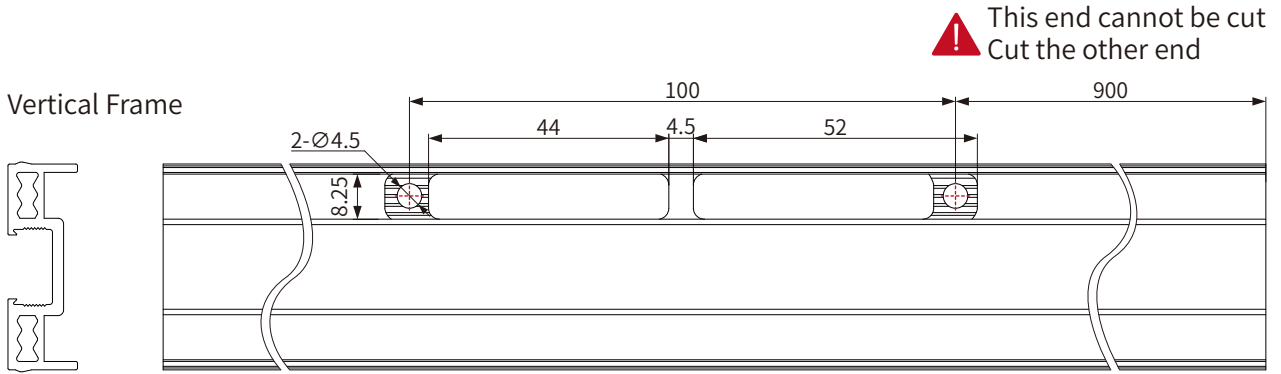
Right Opening



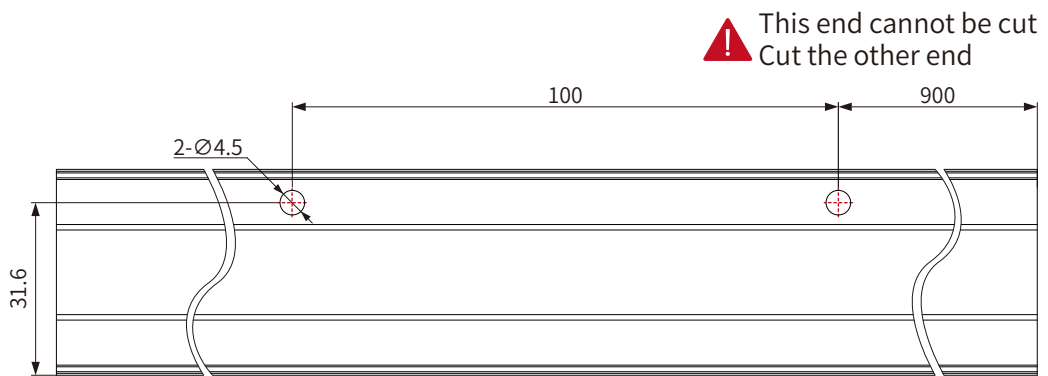
Left Opening

# Processing Parameters

40 Vertical Frame



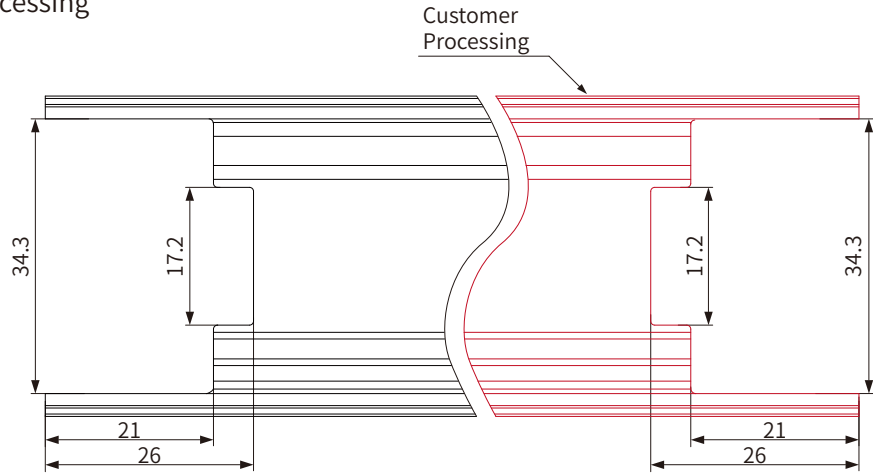
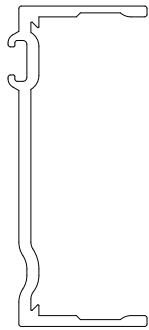
40 Vertical Frame



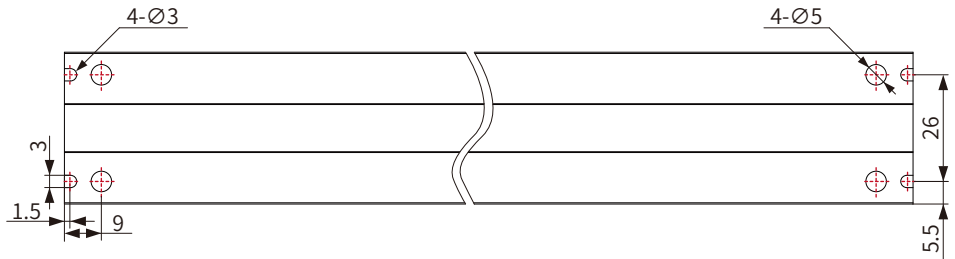
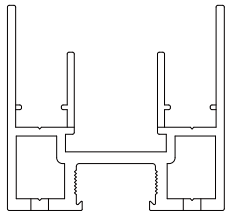
# Processing Parameters

**!** Please cut it to the appropriate length before processing

Vertical Frame Cover

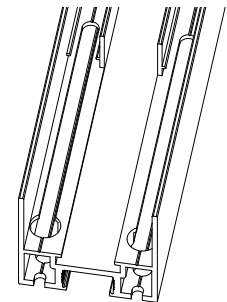
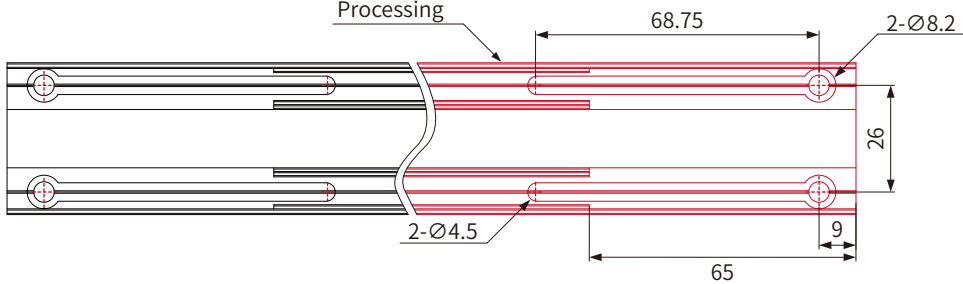


Up/Bottom Vertical Frame



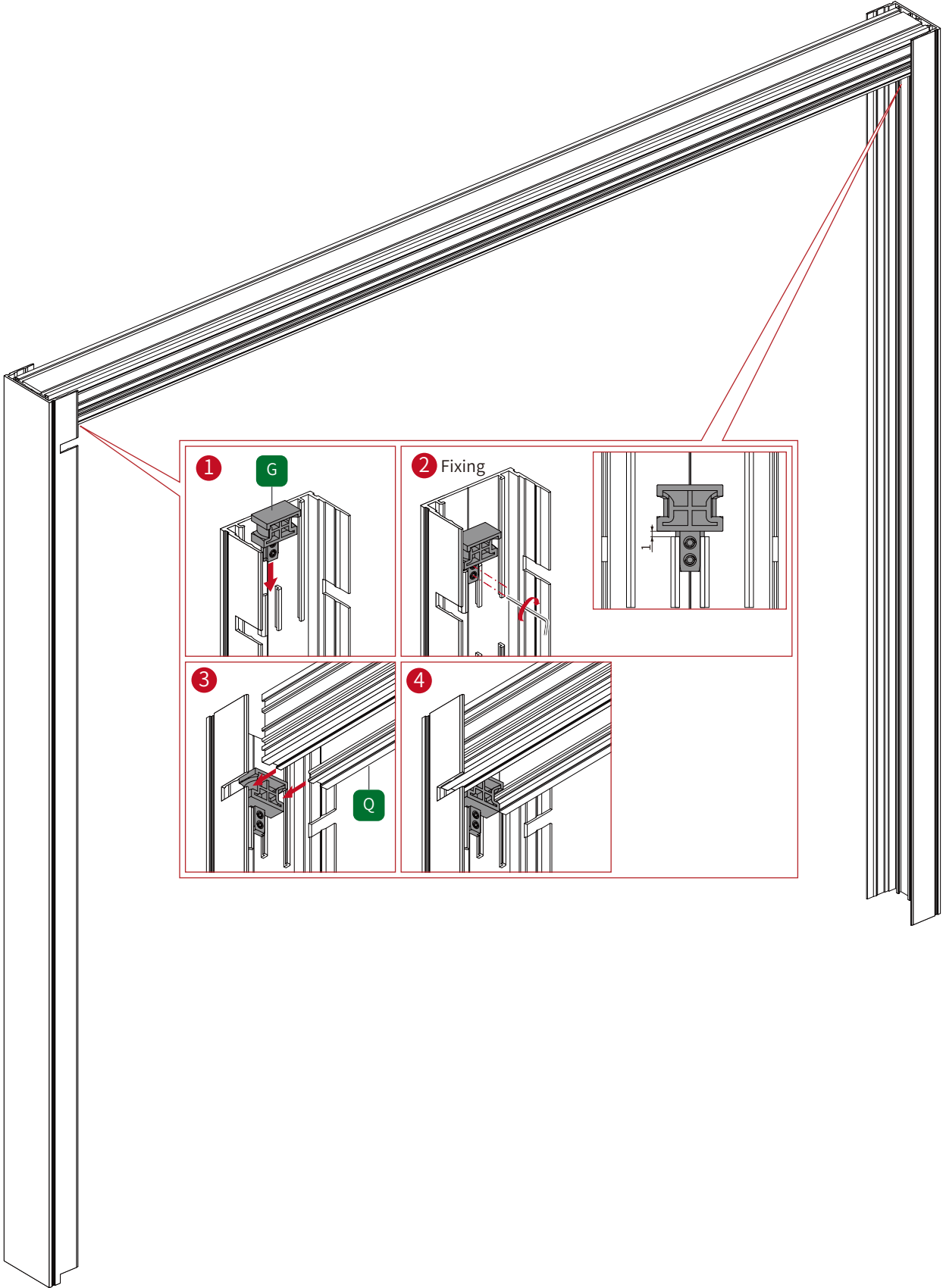
**!** Please cut it to the appropriate length before processing

Customer Processing

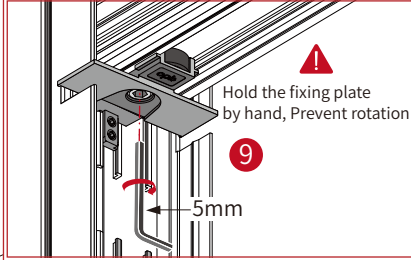
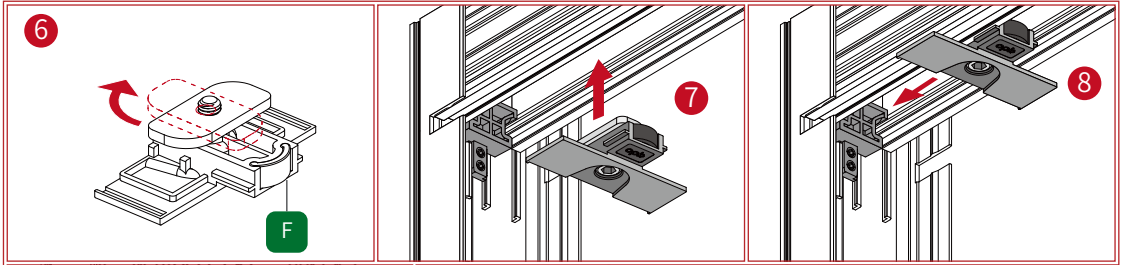


Take the right door opening as an example.  
You can choose the direction of opening as needed

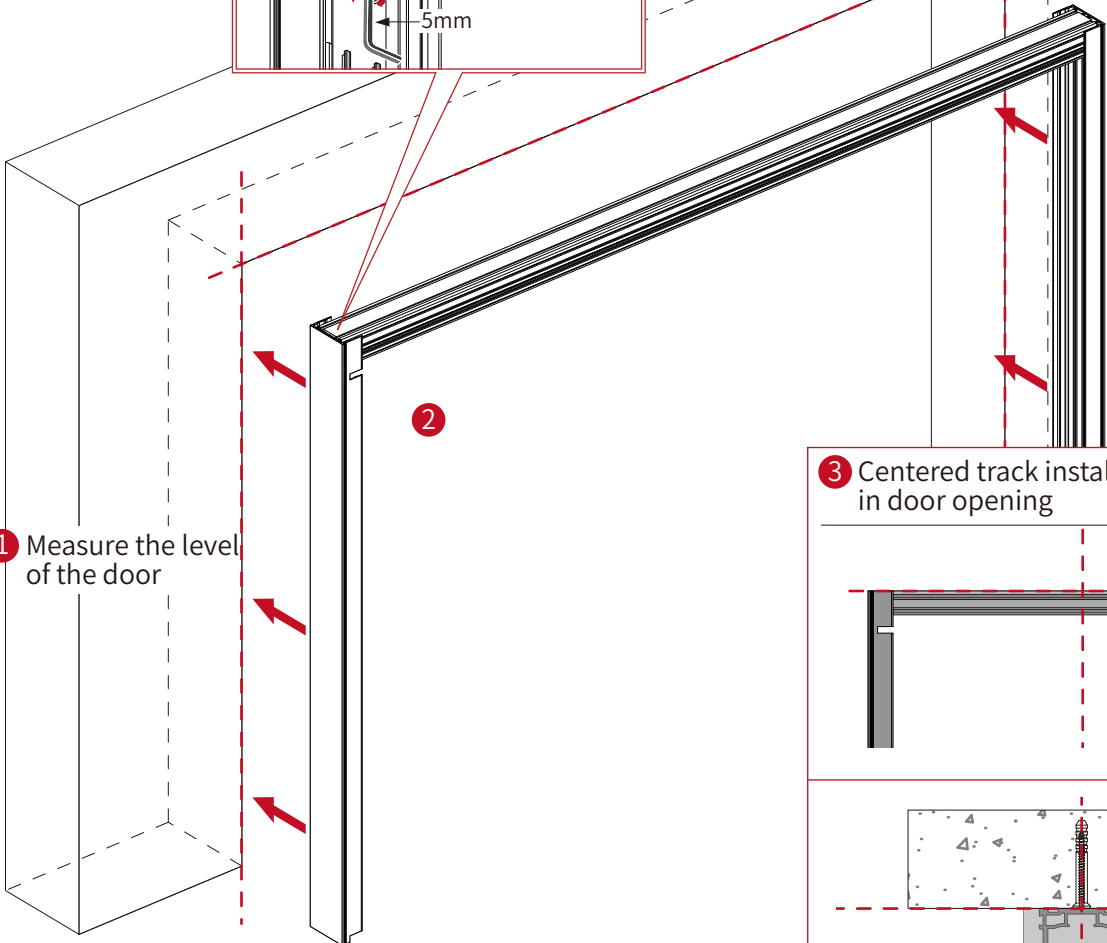
1-1 Spliced Profiles Surface Mounting



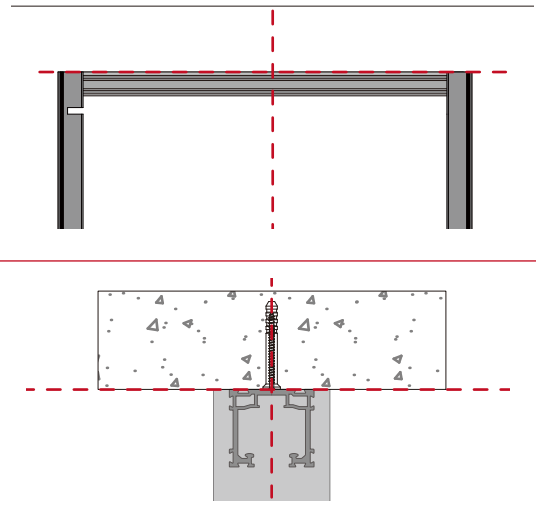
# 1-2 Install Track



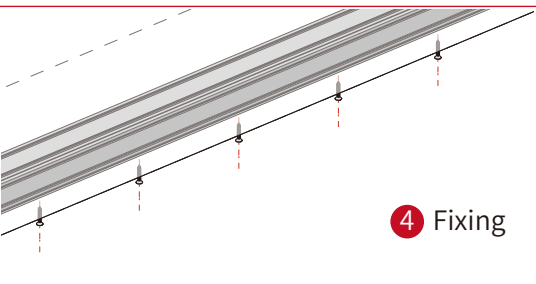
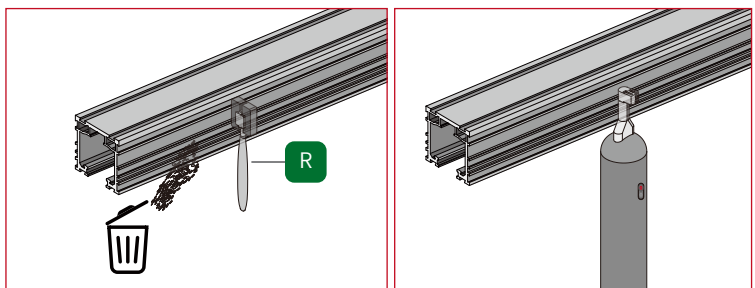
1 Measure the level of the door



3 Centered track installation in door opening

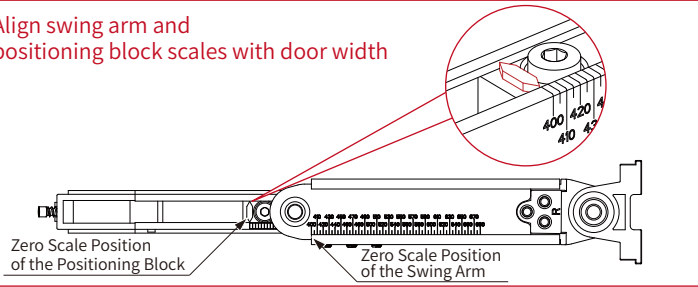


5 Clean after screwing



## 2 Adjust Upper/Bottom Swing Arm

**!** Align swing arm and positioning block scales with door width



**2** Pull out the swing arm  
Adjust the scale

**1** Loosen

2.5mm

**3** Fixing

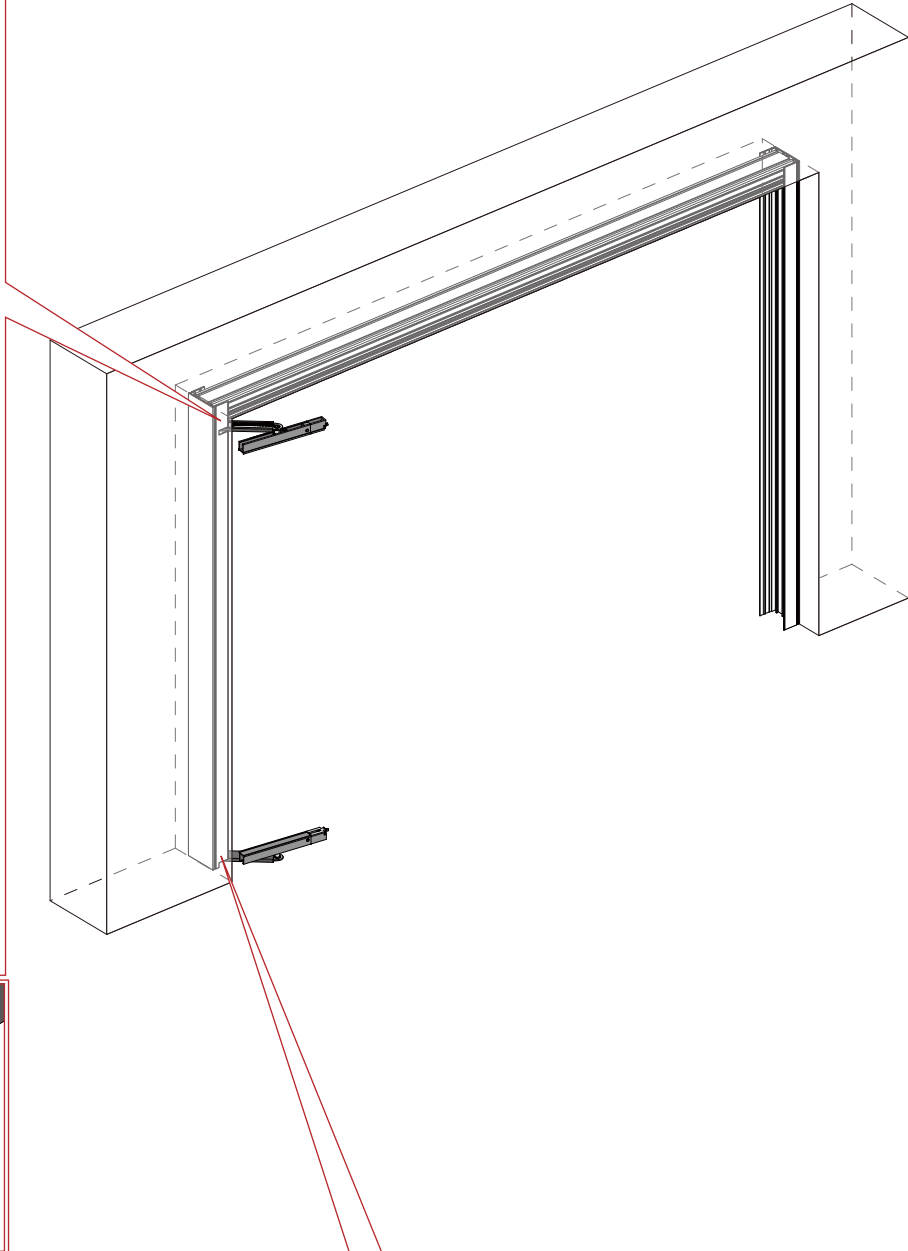
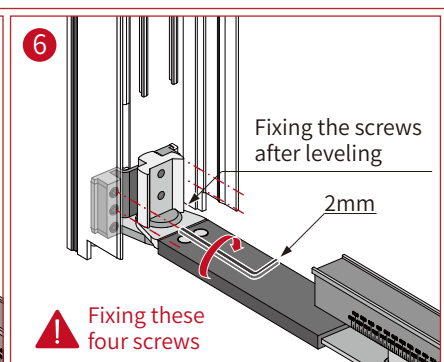
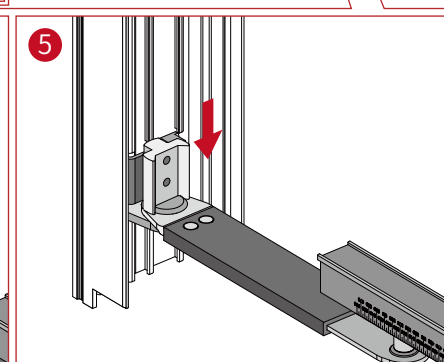
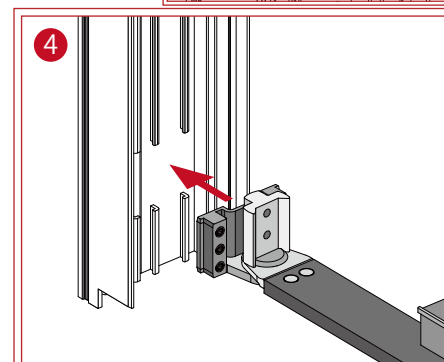
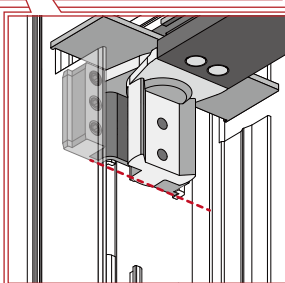
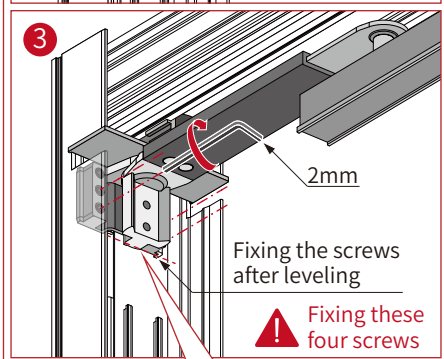
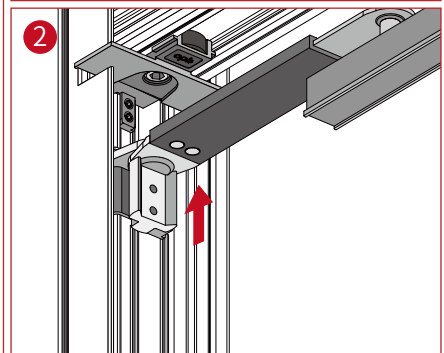
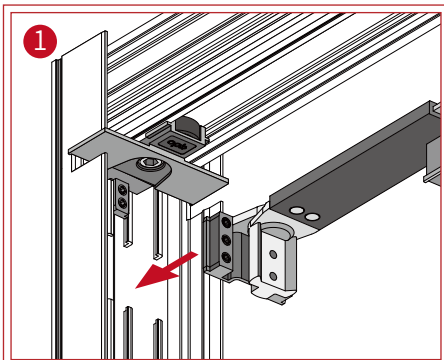
**4** Loosen

3mm

**5** Pull out the positioning block to adjust the scale

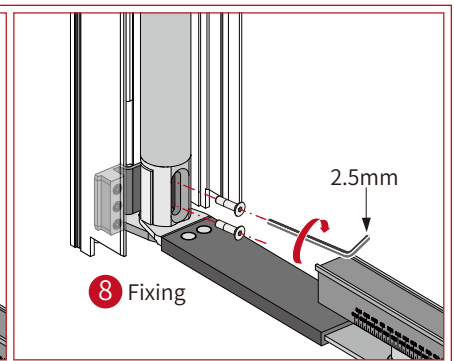
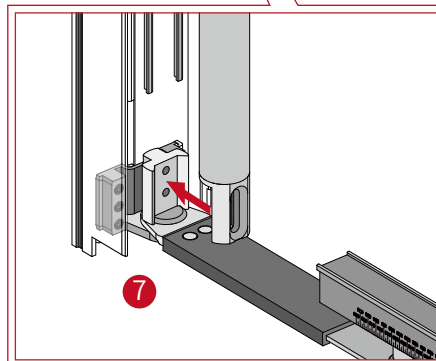
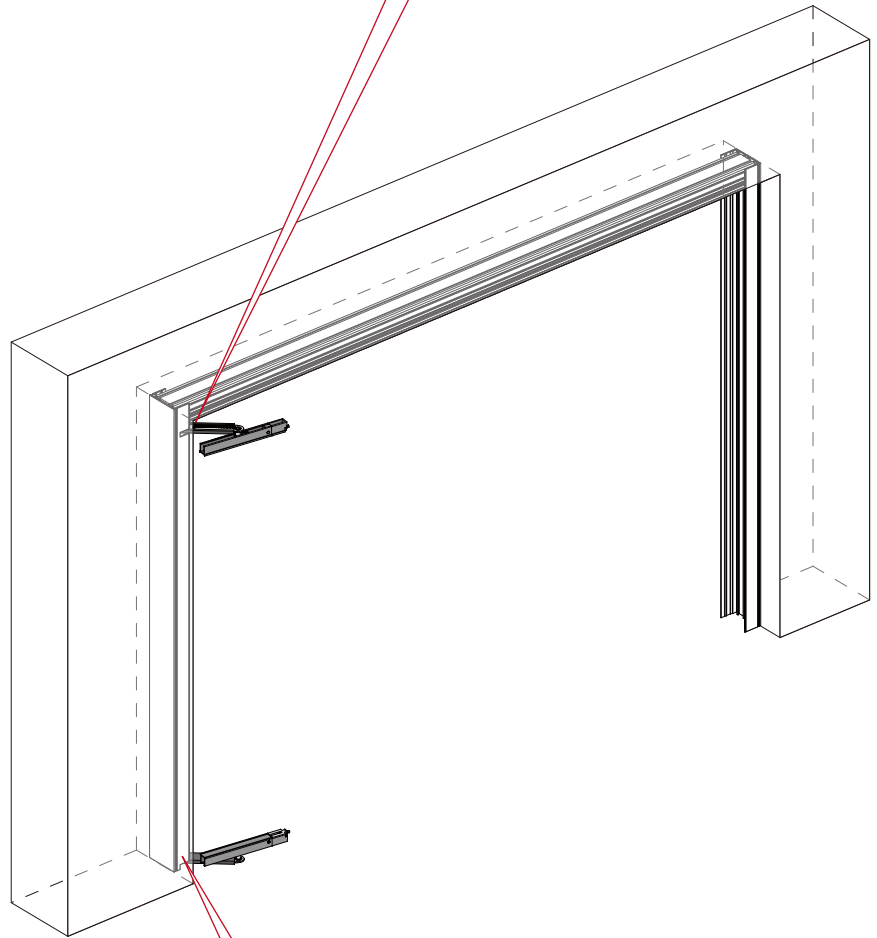
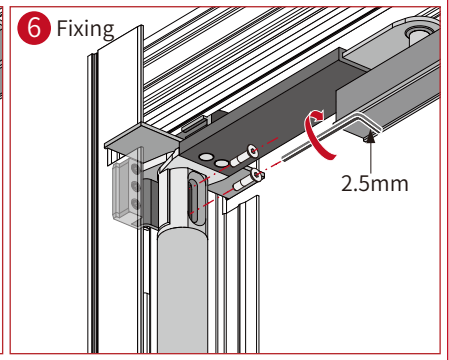
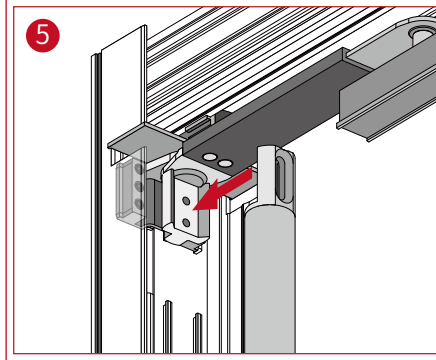
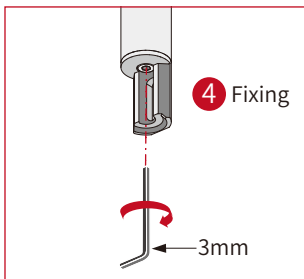
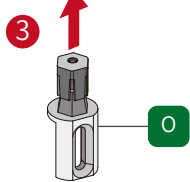
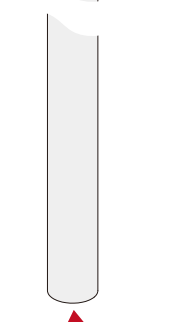
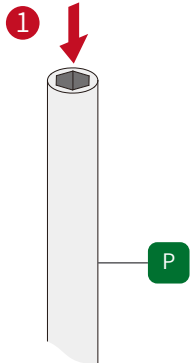
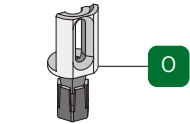
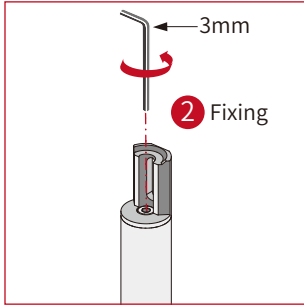
**6** Fixing

### 3 Install Upper/Bottom Swing Arms

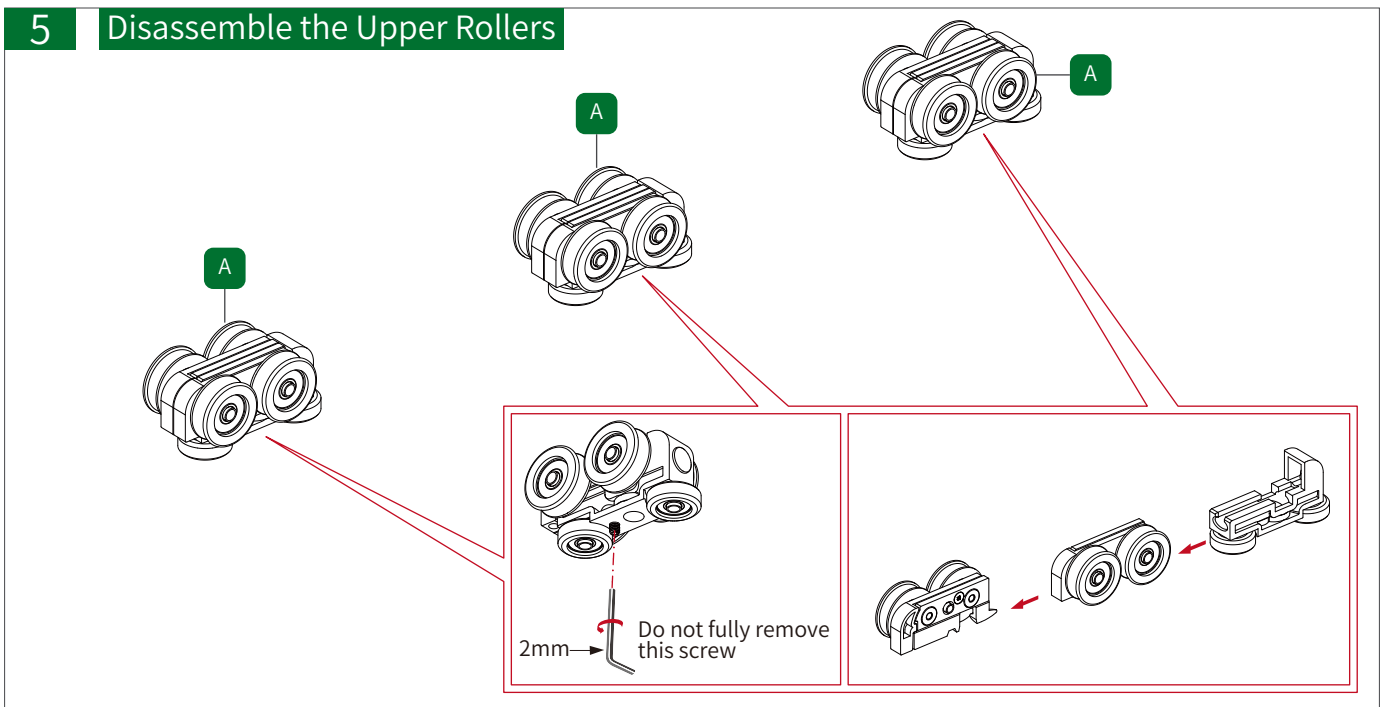


## 4 Install Swing Arm Link

**!** Fixing all screws, secure connectors & sync rod with same direction

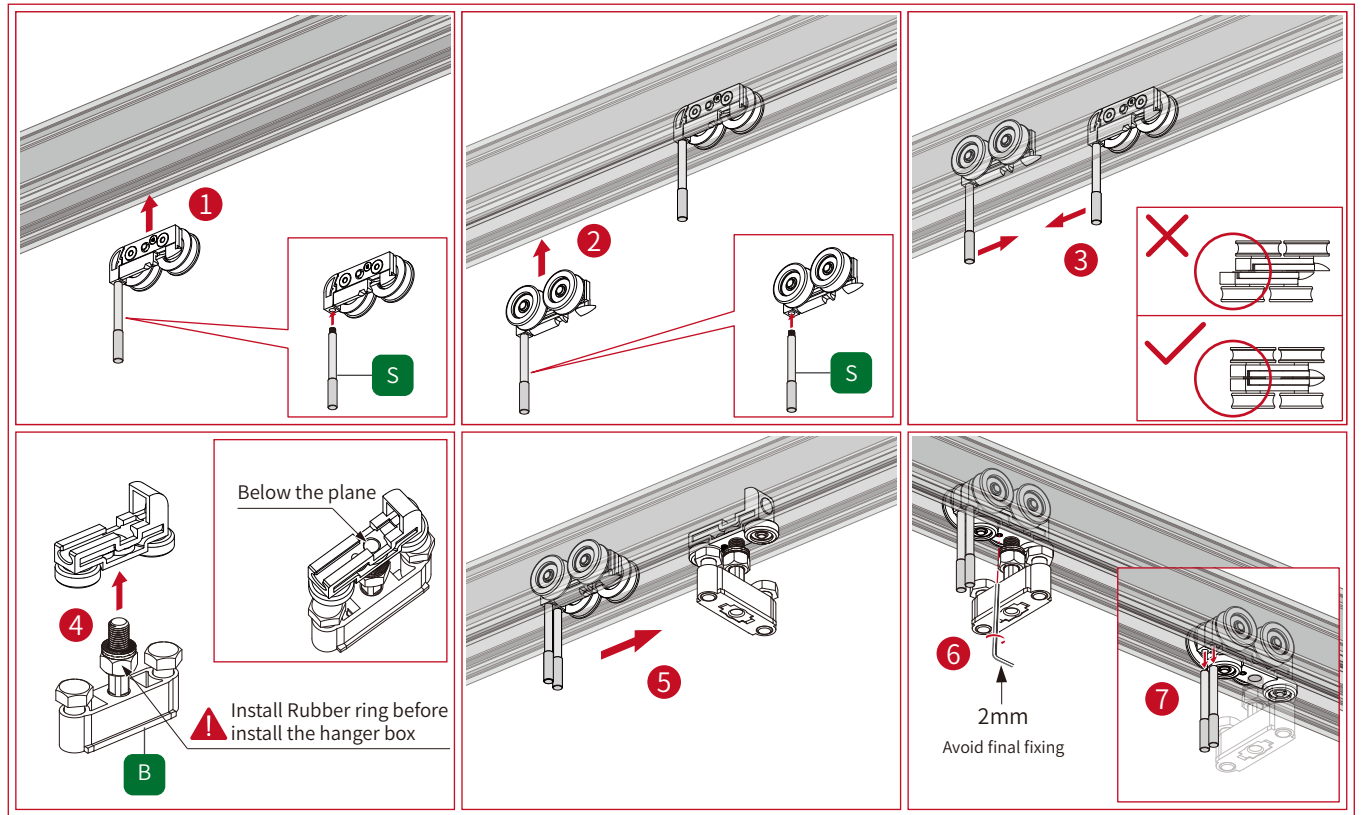
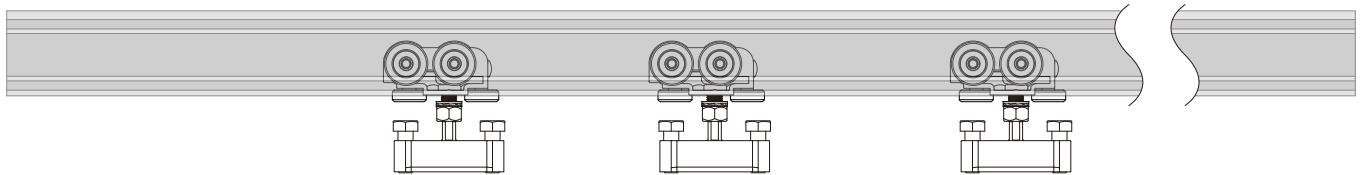


## 5 Disassemble the Upper Rollers




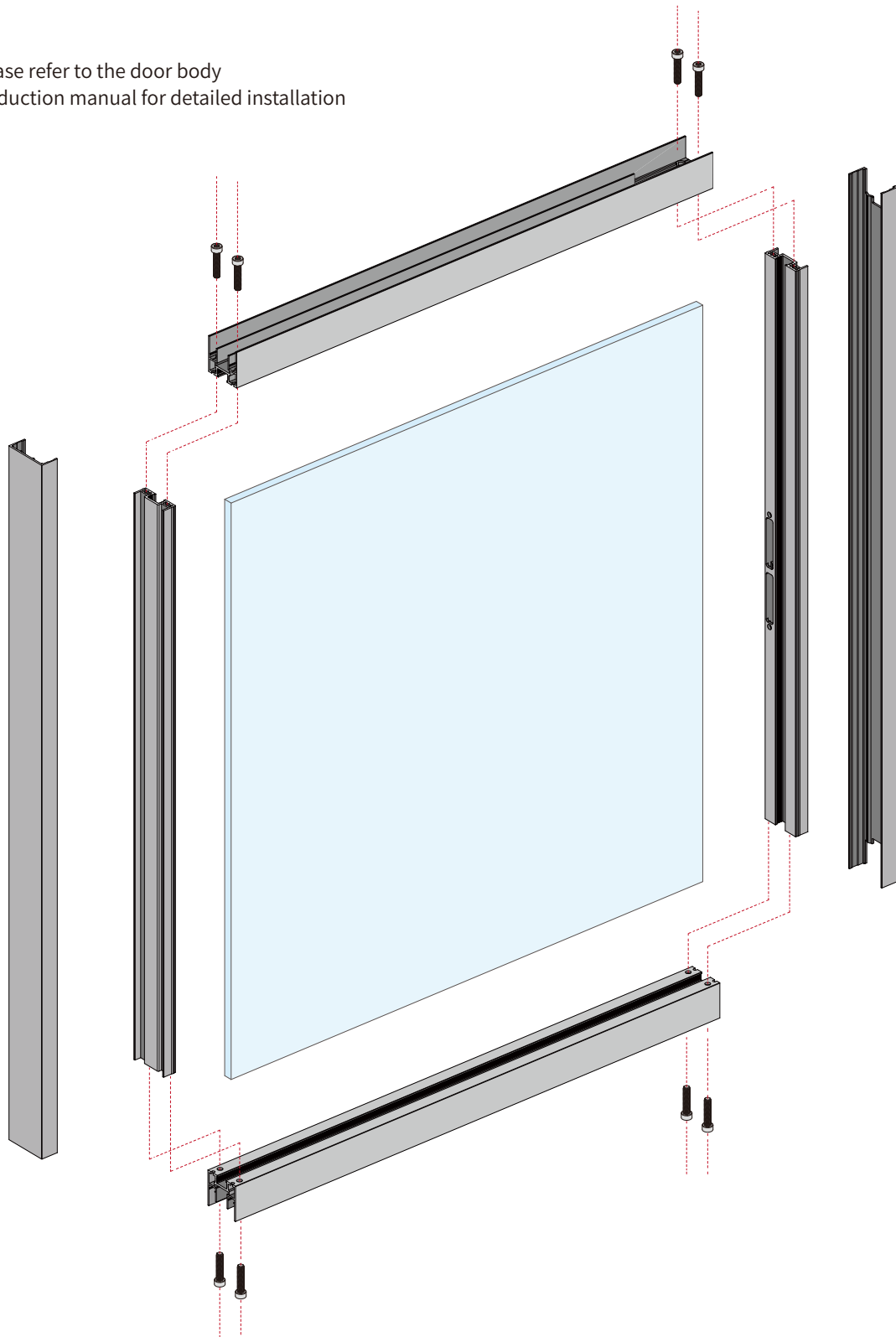
## 6 Install the Upper Rollers

⚠ For left opening door, reverse top roller direction




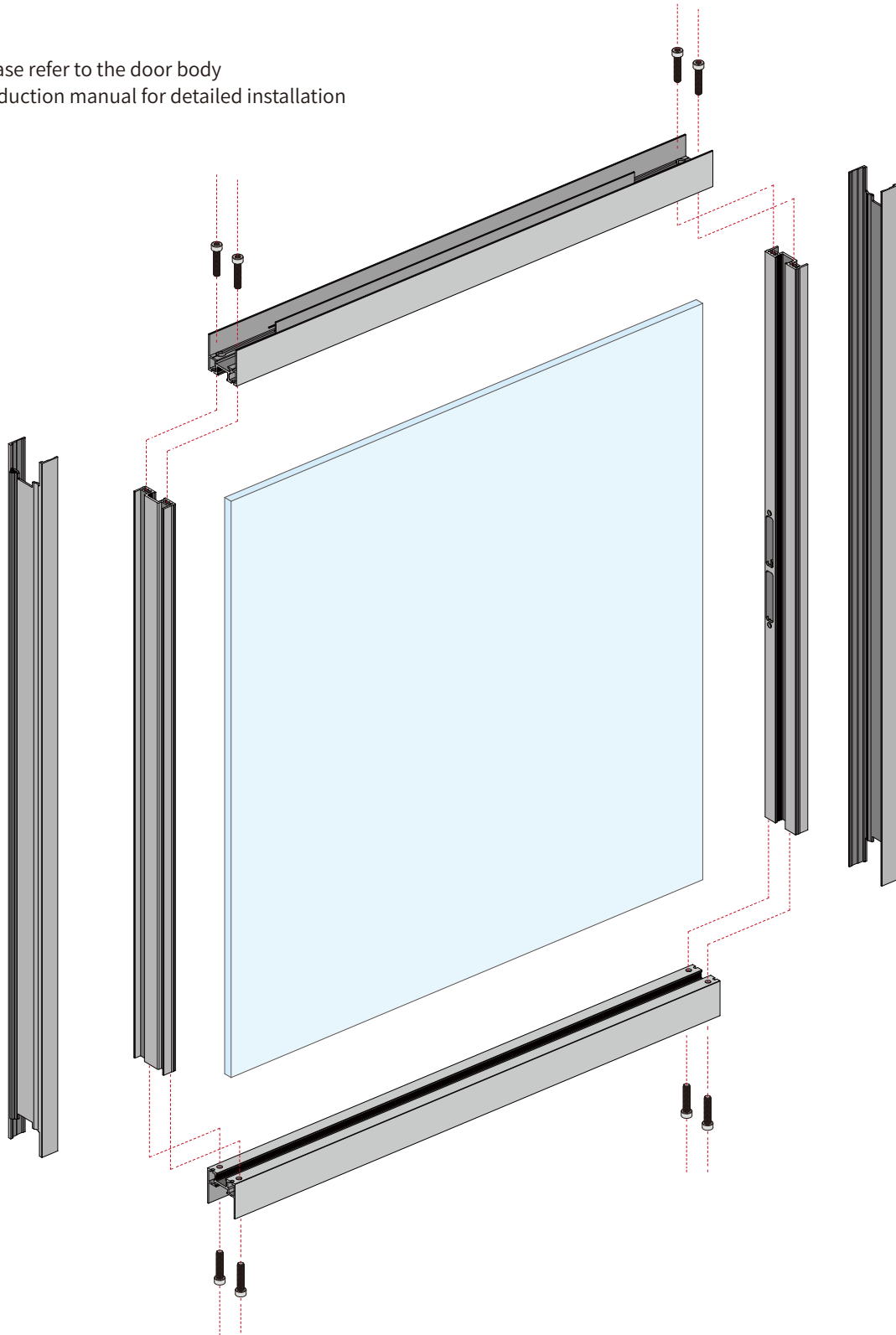
## 7 Install Door

 Please refer to the door body production manual for detailed installation



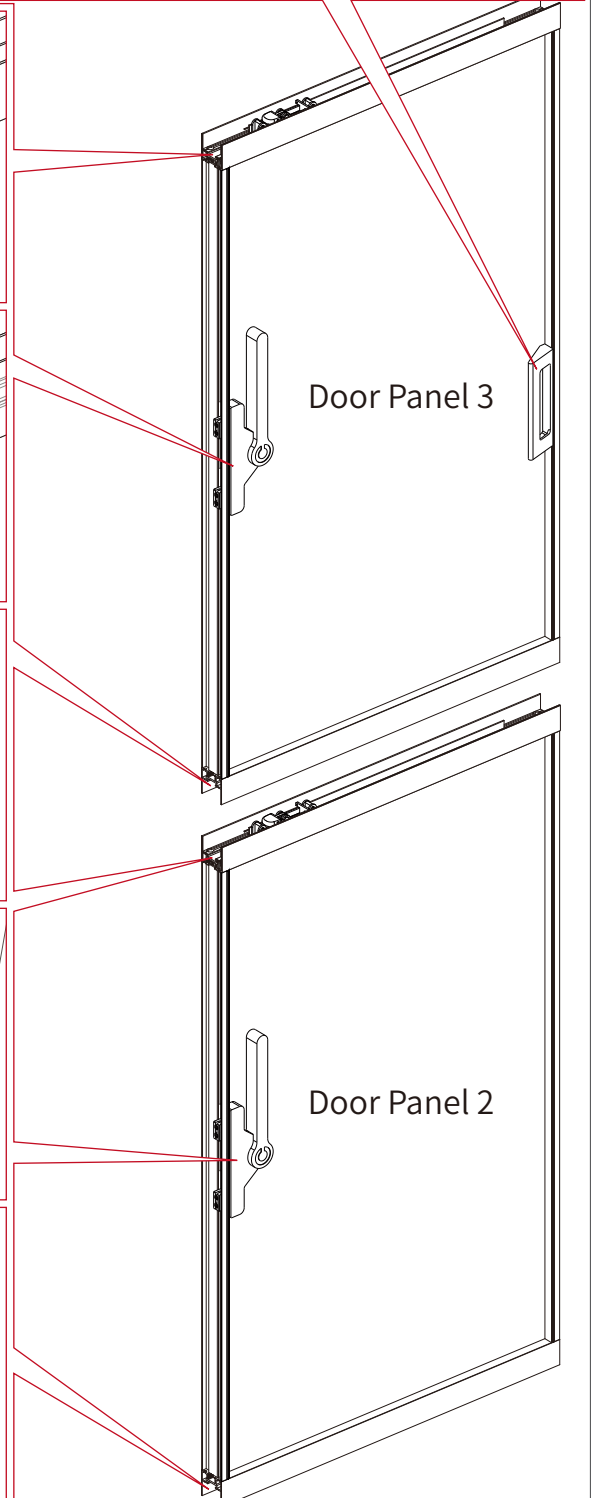
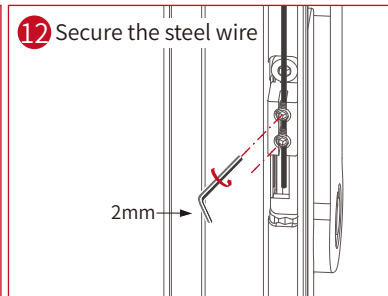
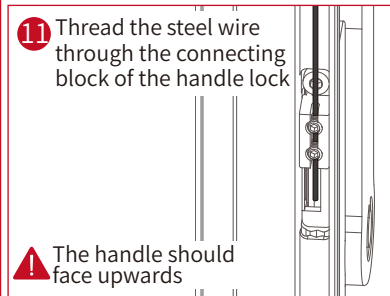
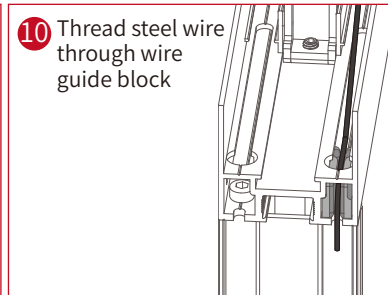
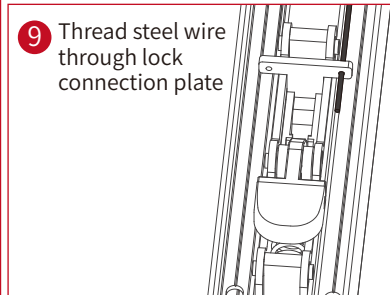
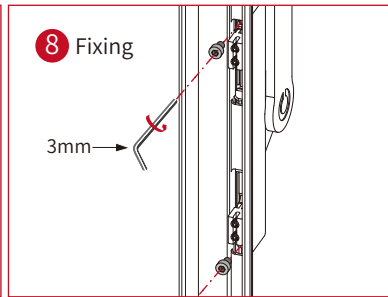
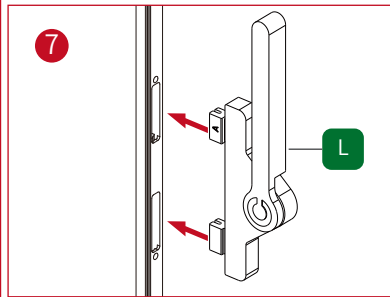
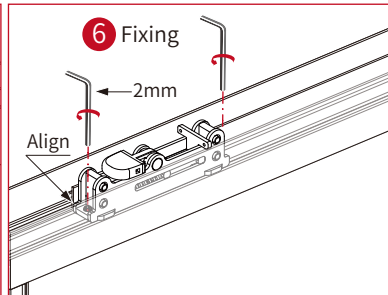
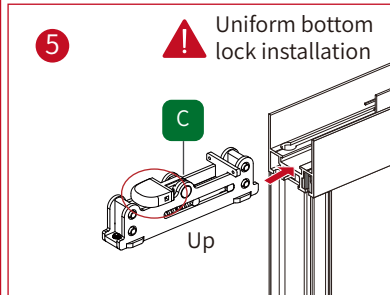
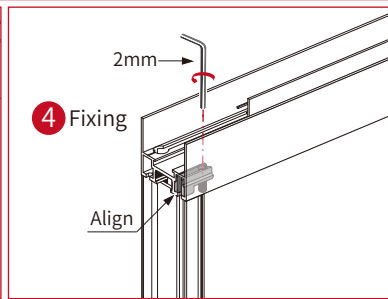
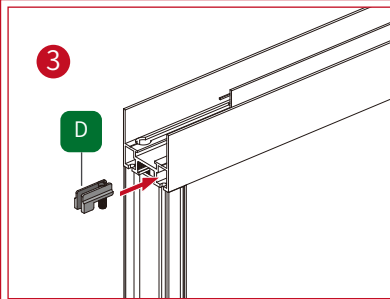
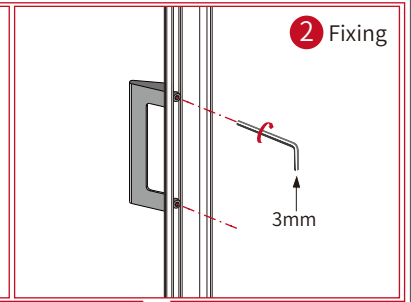
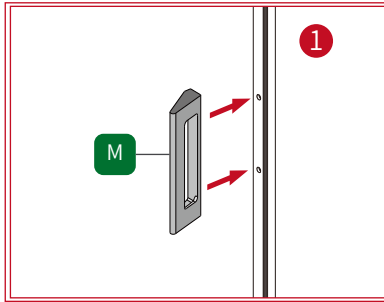
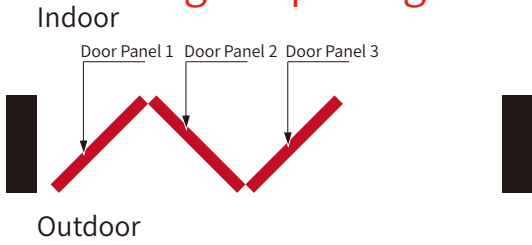
## 7-1 Install Door

 Please refer to the door body production manual for detailed installation



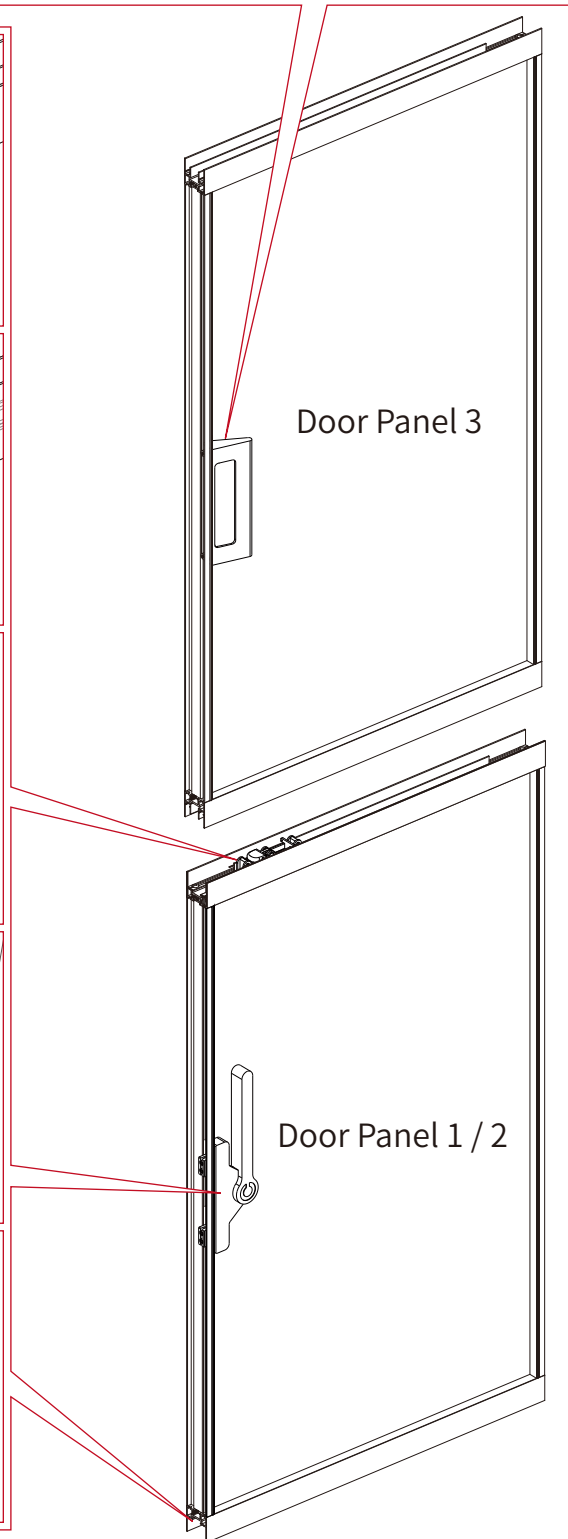
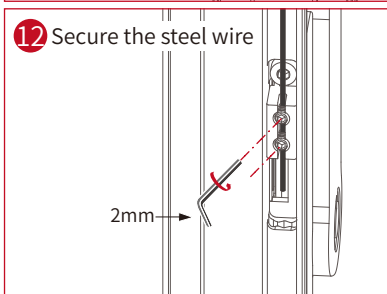
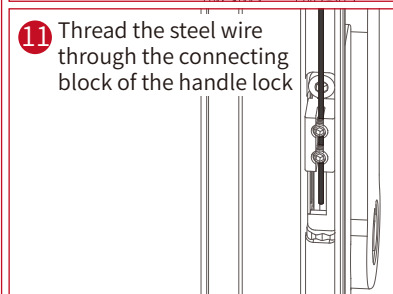
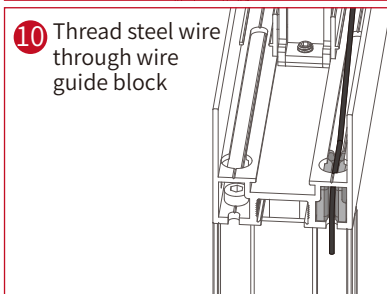
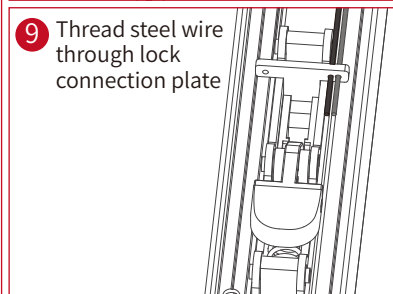
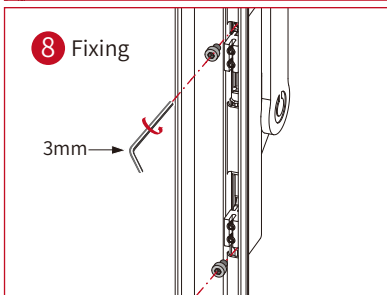
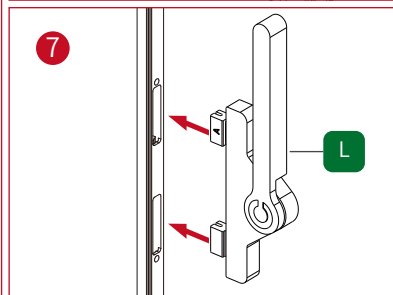
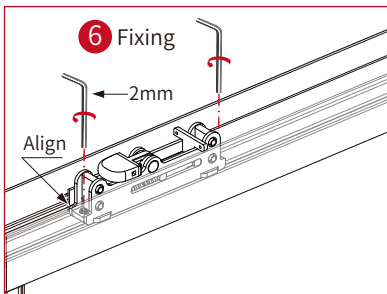
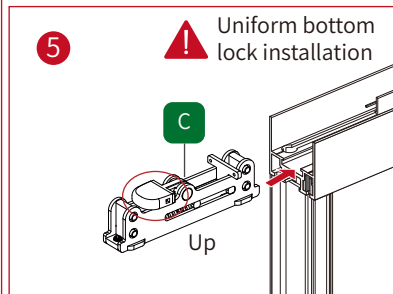
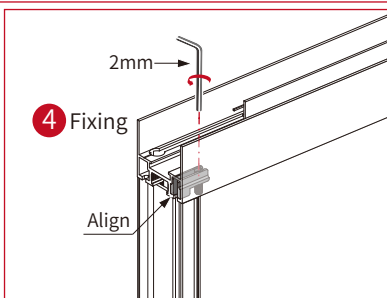
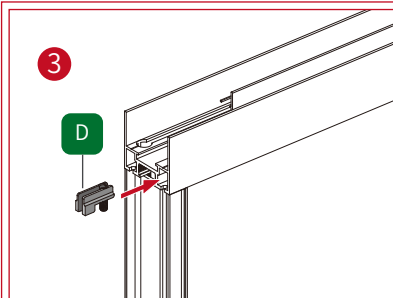
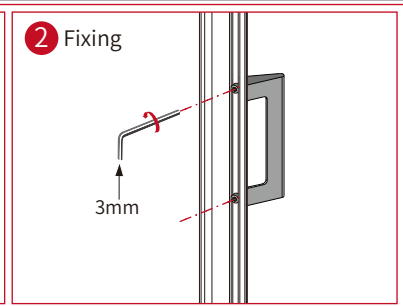
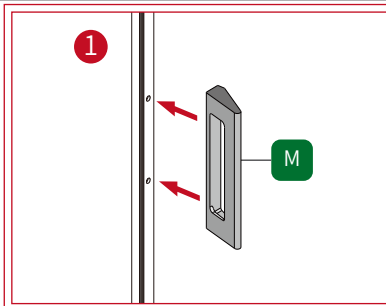
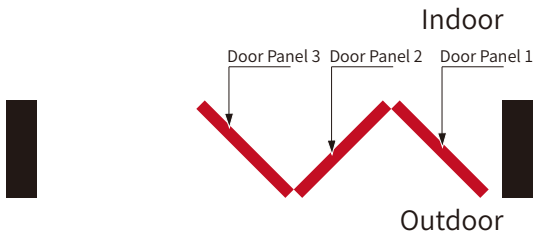
# 8 Install the Door Opening Accessories

## Right Opening Door

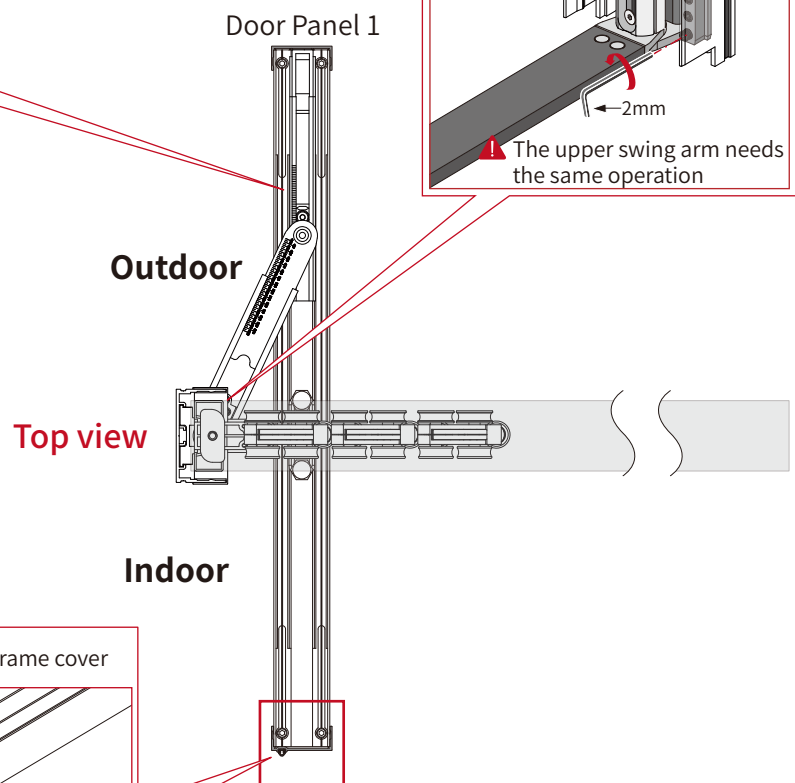
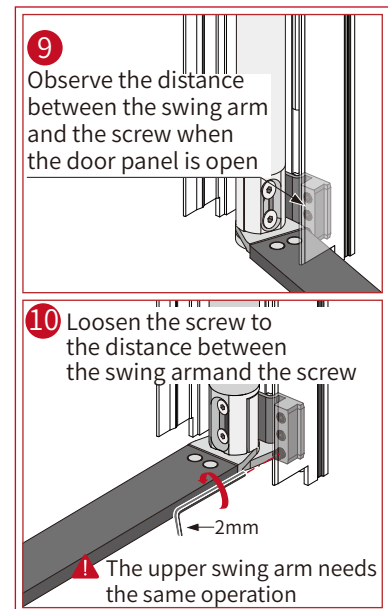
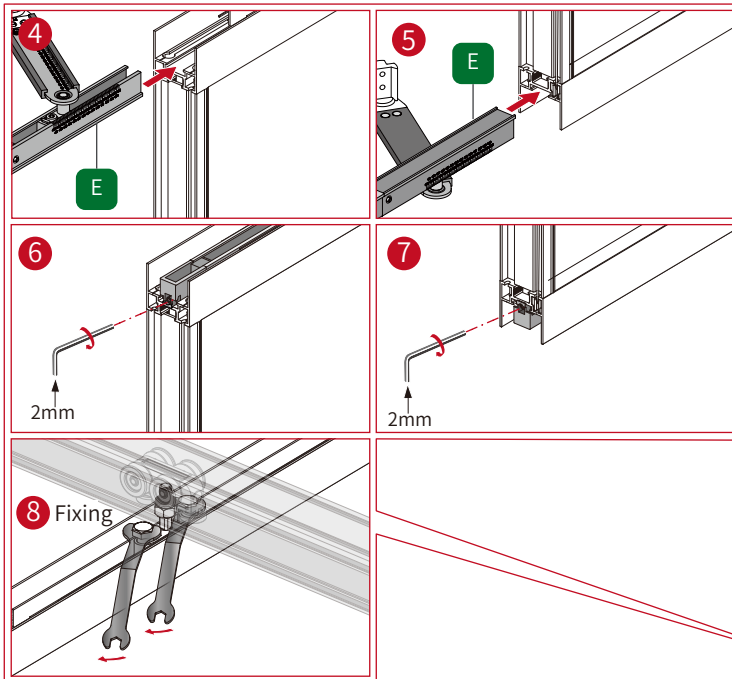
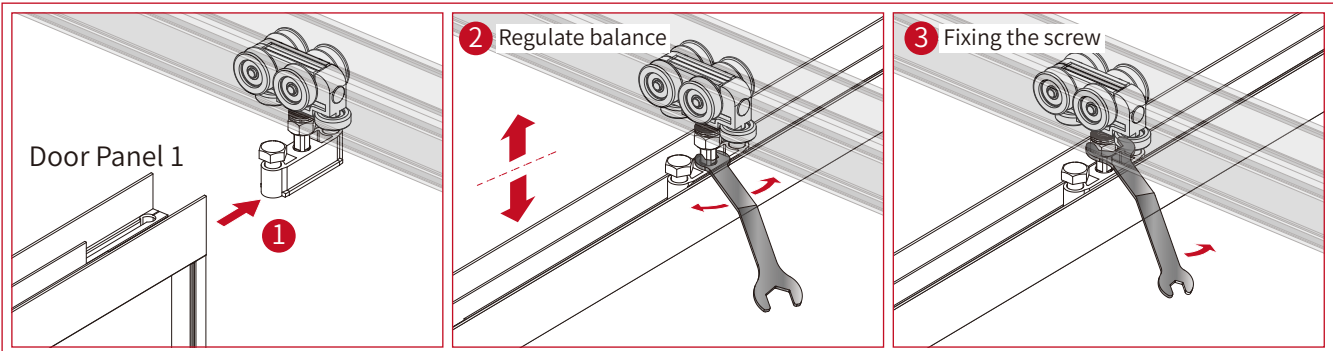


# Install the Door Opening Accessories

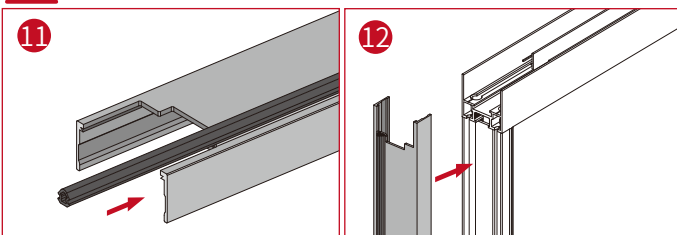
## Left Opening Door



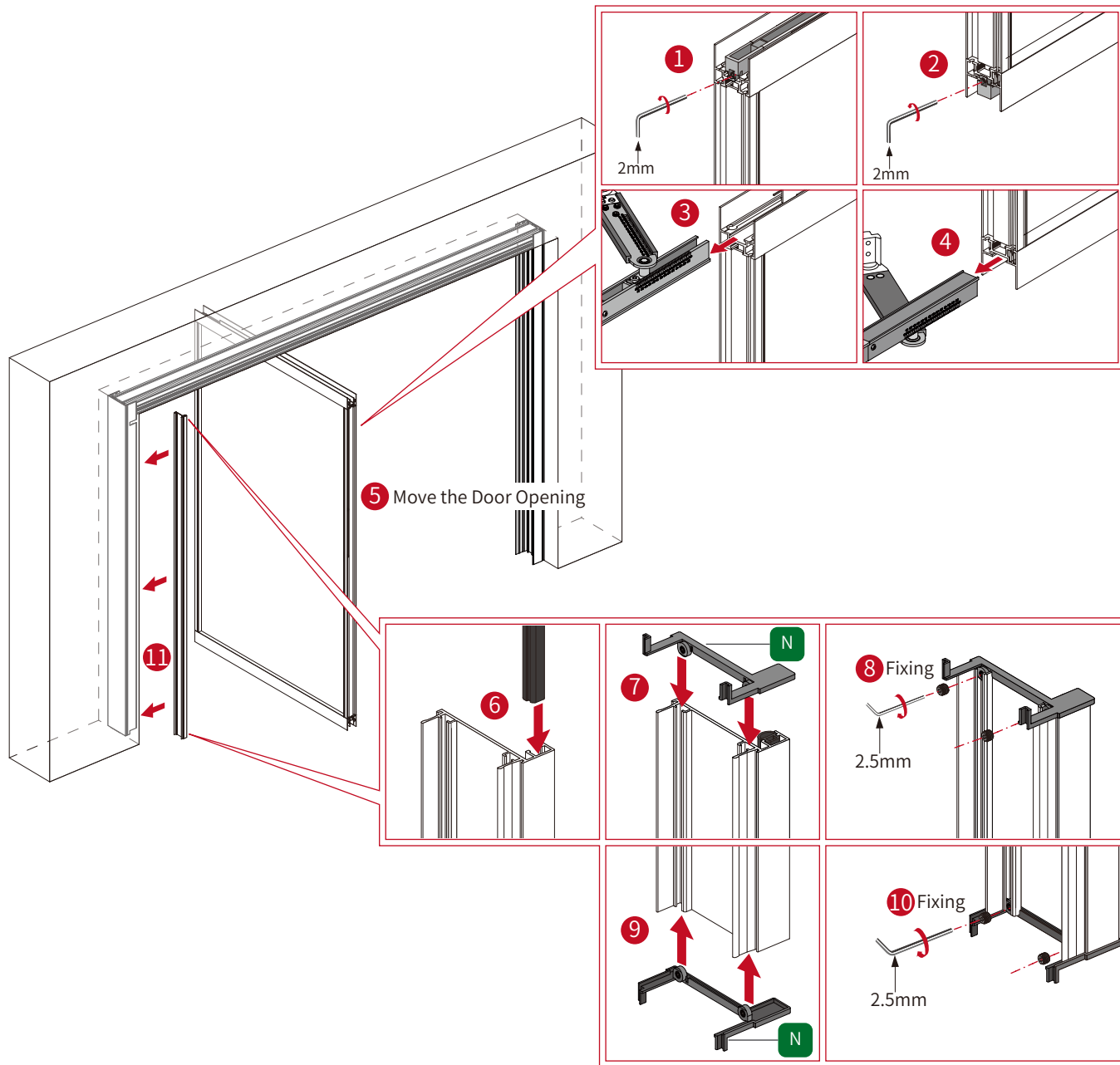
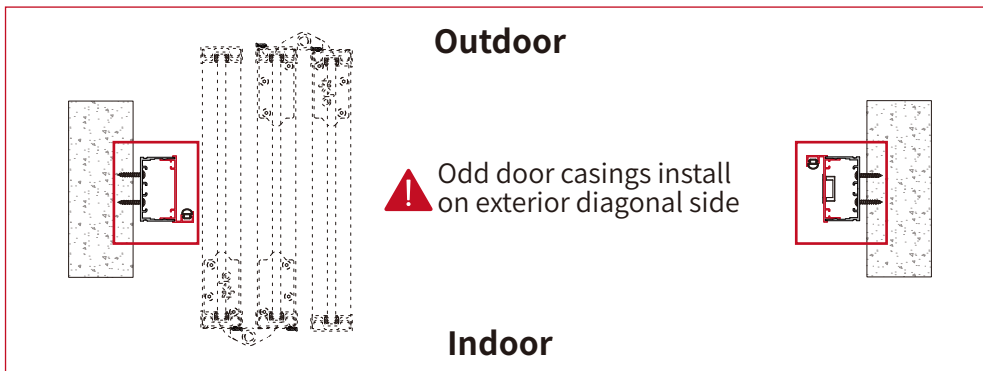
# 9 Adjust the Swing Arm



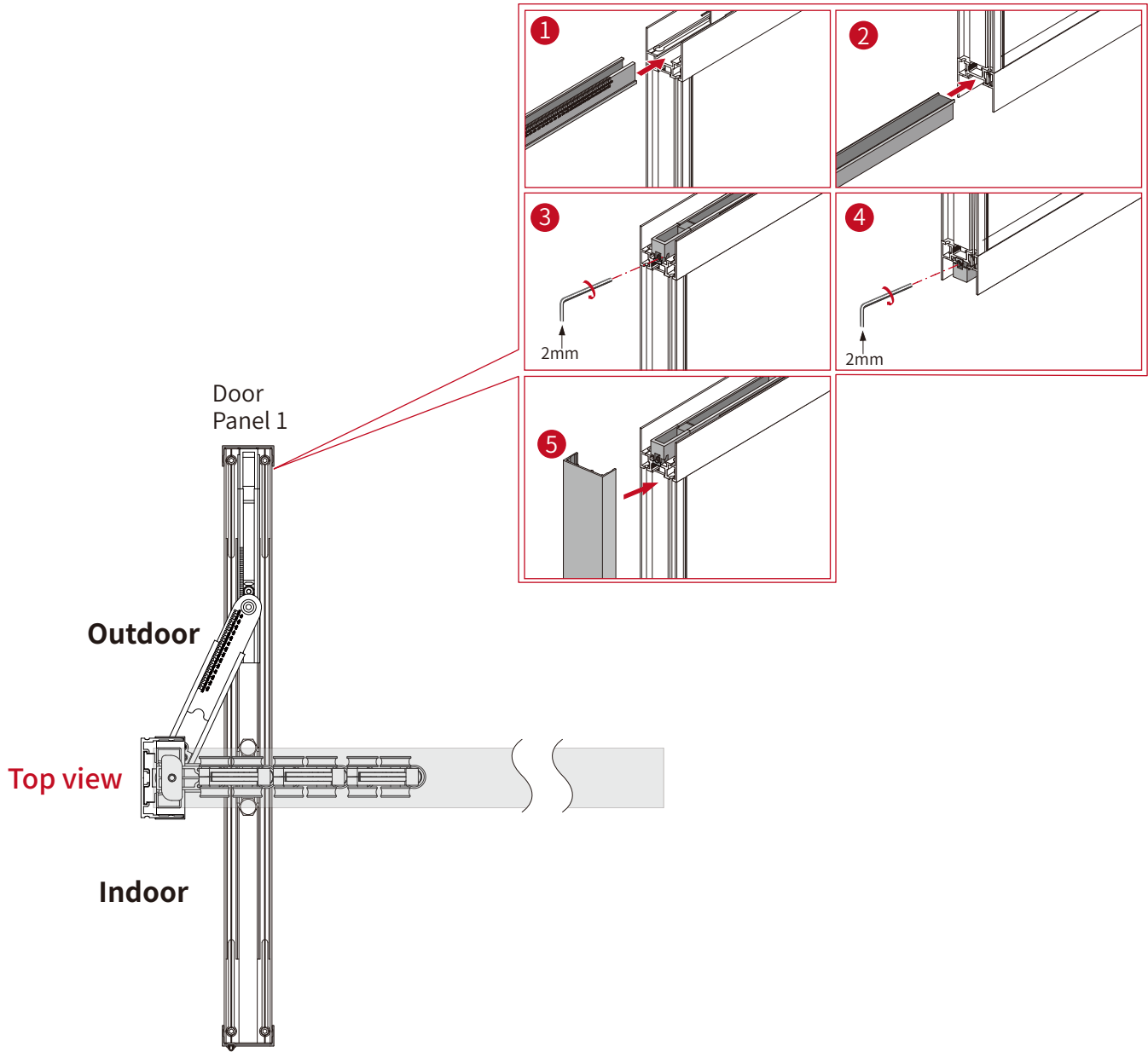
⚠ Follow the directions shown to install the vertical frame cover



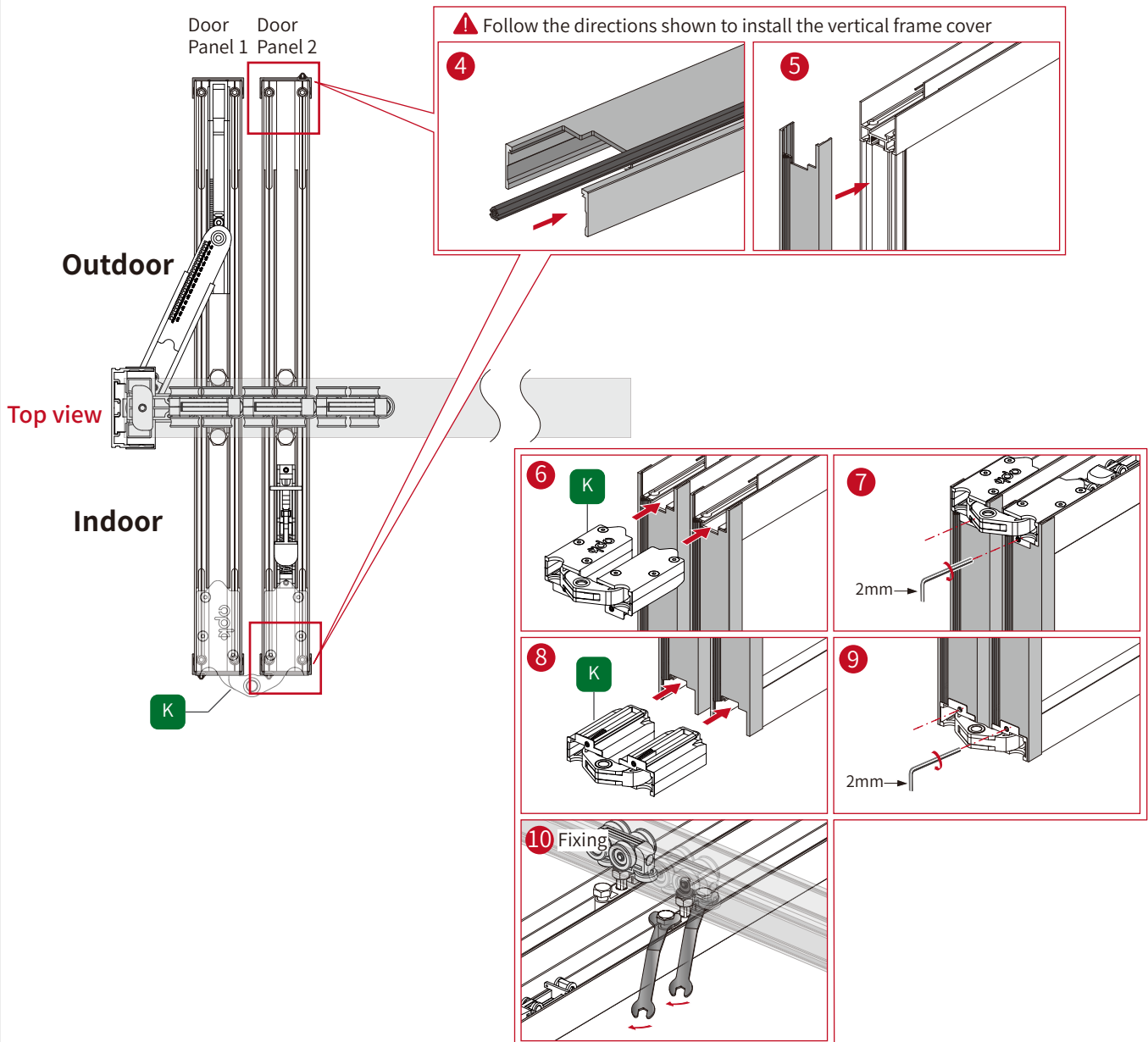
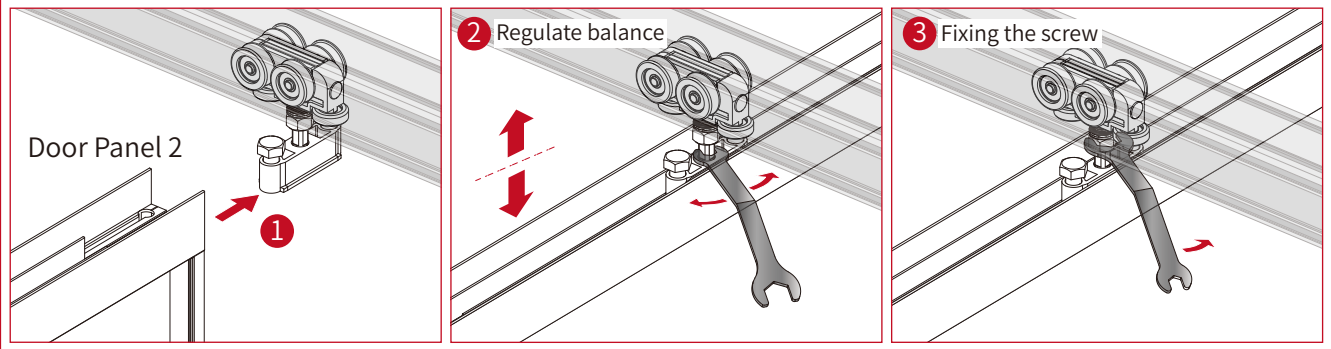
# 10 Install Vertical Door Opening Cover



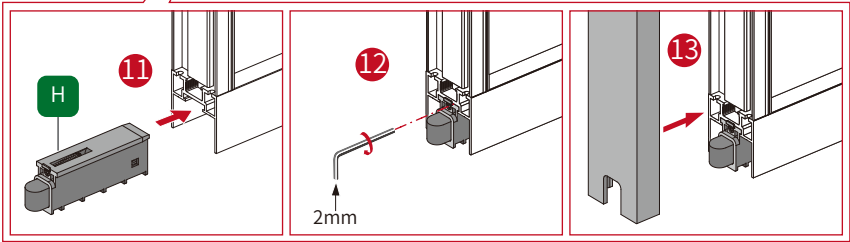
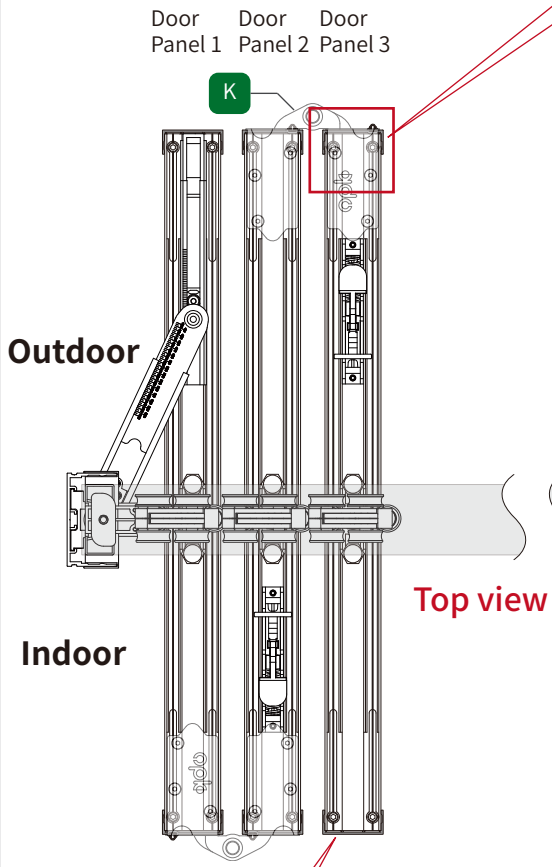
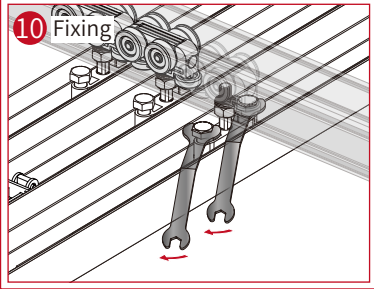
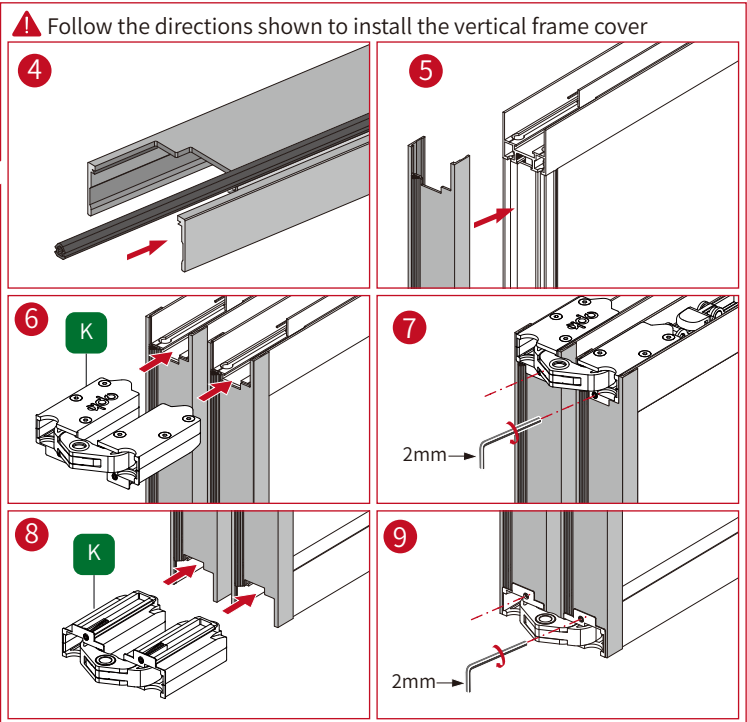
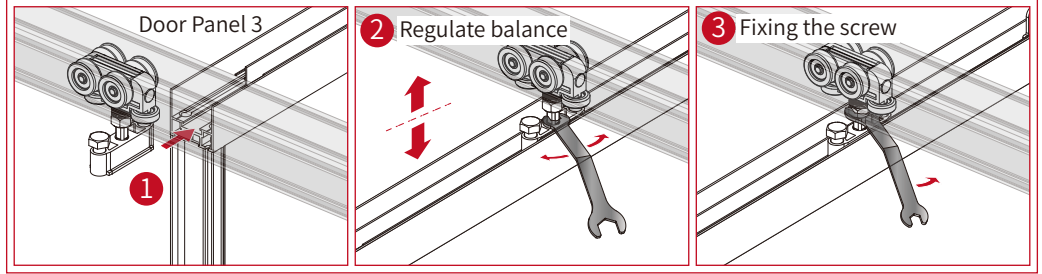
# 11-1 Install Door Opening



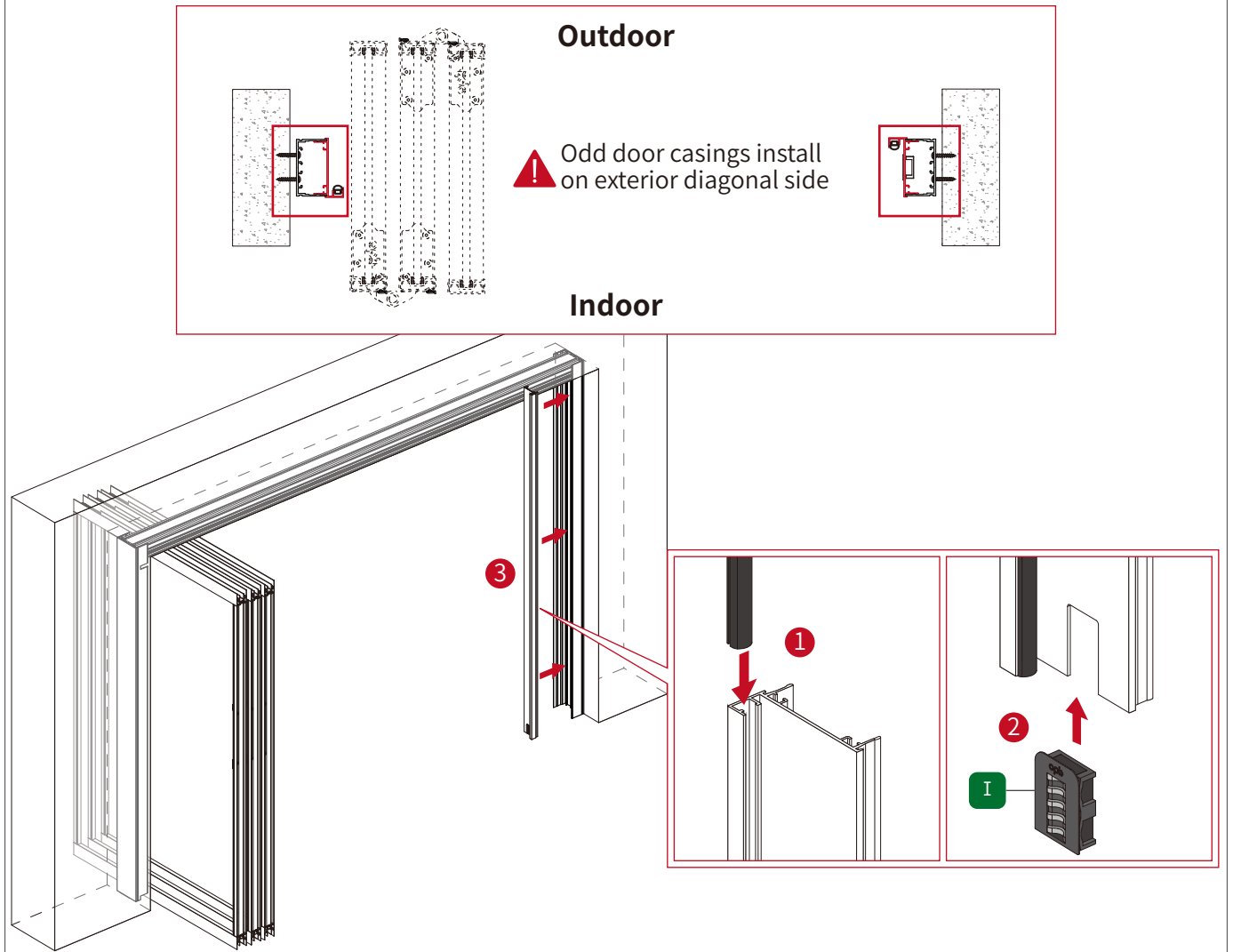
# 11-2 Install Door Opening



# 11-3 Install Door Opening



## 12 Install Vertical Door Opening Cover



## 13 Install Damping

